

Keypad Entry Lever

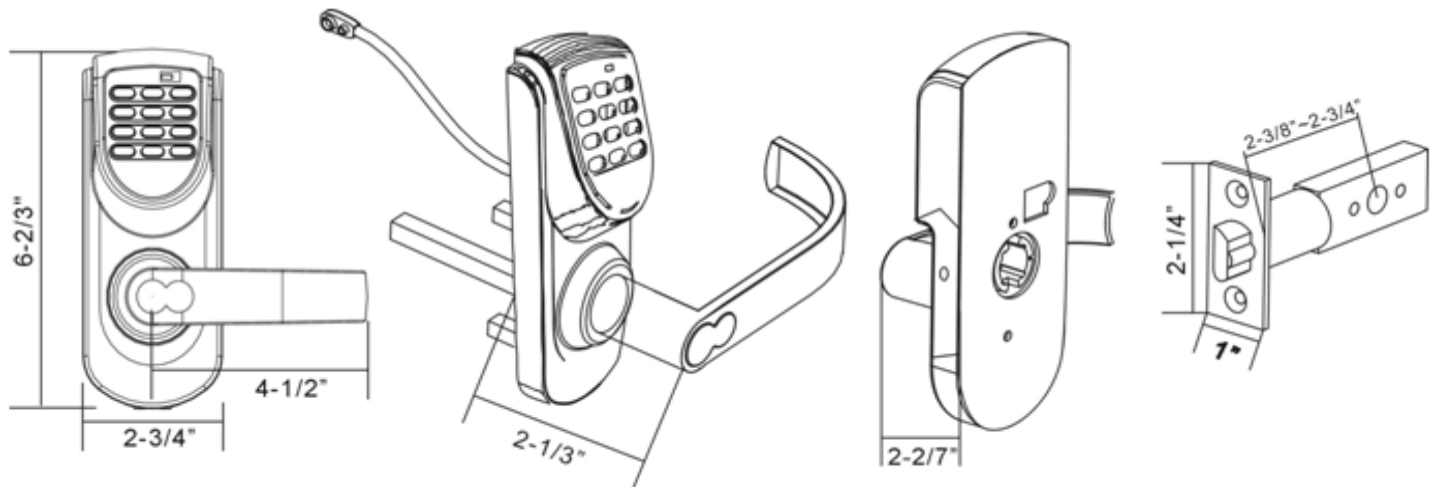


Specifications

Materials	Rubber gasket, Zinc Alloy housing.
Latch Type	2-way
Door Prep	Cross bore 2-1/8" dia (54mm). Edge bore 1" dia. (25mm)
Backset	Fixed latch 2-3/8" or 2-3/4" (both included)
Door Thickness	1-3/8" to 1-3/4" door standard
Cylinder	Mechanical override key (included); KW1 keyway
Faceplate	1" x 2-1/4" square corner.
Strike	Square corner
Latch Bolt	1/2" throw
Door Handing	Specify Left or Right
Keyway	KW1
Passcodes	Up to 300 passcodes
Batteries	Uses 4 x AA batteries (Average 1 year life)
Keypad	Glow in the dark keypad



Dimensions



Warranty & Compliances

Warranty	Limited Lifetime Mechanical / 1 year electronics
ANSI/BHMA	Meets ANSI Grade 2 specification
ADA	compliant
UL	N/A



Order Codes

	right lever	left lever	
Satin Nickel (US15)	702944	702951	
Oil Rubbed Bronze (US10B)	702969	702977	

Type:

Job:

Order Code:

Approvals:

Design House reserves the right to make changes in materials, specifications & models at any time. Design House also reserves the right to discontinue product without notice or obligation.