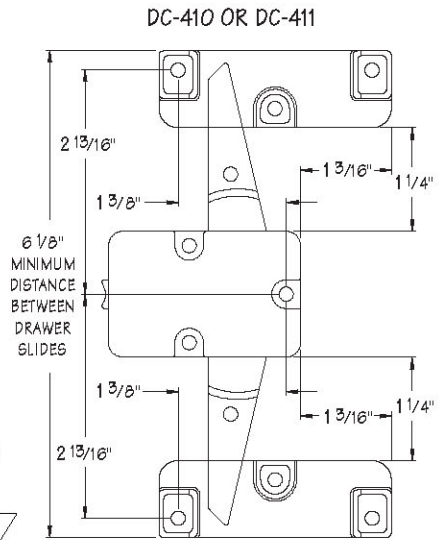
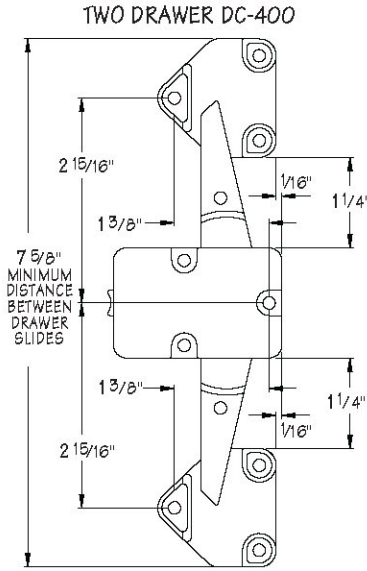


ANTI-TIP INTERLOCK SYSTEM 400

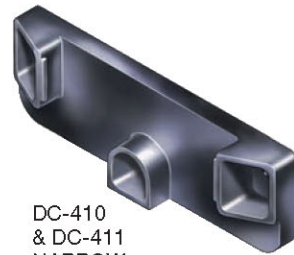
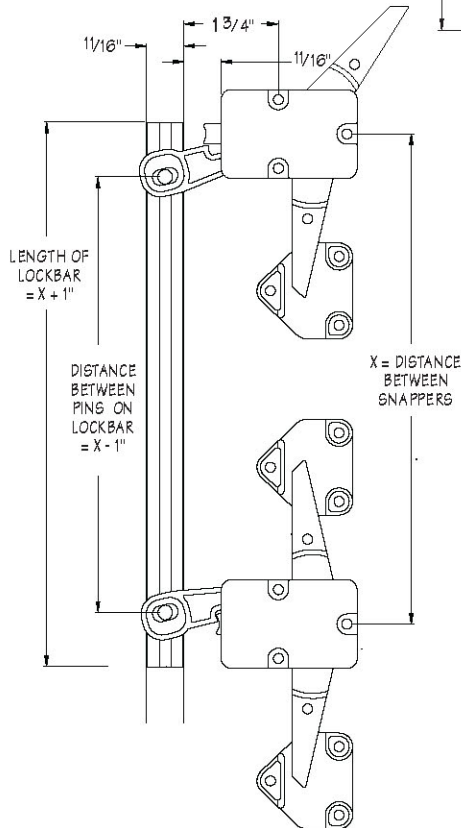
3 OR 4-DRAWER LATERAL
(NO LOCK)



TYPICAL INSTALLATION DETAILS



LINKAGE BAR FOR THREE
OR FOUR DRAWER APPLICATIONS
DC-400 SHOWN



FOR USE WHEN LESS
SPACE IS ALLOWABLE
BETWEEN DRAWER
SLIDES

