



Express Eddie's Toolbox



What is Hinge Mounting Type or Fixing Type?

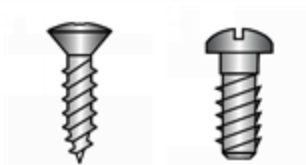
When mounting a hinge, it helps to understand the different ways your hinge is mounted to your cabinet. Hinges are mounted in several different ways and each has its own unique look and way that it is mounted. Understanding the differences helps when you are seeking a replacement for a broken or missing hinge.

Note: Hinge mounting types are also called hinge fixing types.

When mounting hinges for the first time on a cabinet, it is best to use a template or boring tool to make the precise cuts and drill holes for a specific hinge.

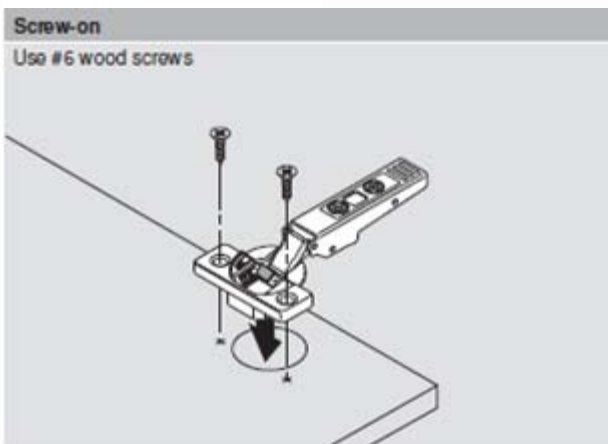
There are several different hinge mounting types available.

1. **Screw-on** – The most basic and easiest to understand mounting type is the Screw-On type. This hinge mount is fixed to the surface of the cabinet or cabinet door with wood screws or euro screws.



Wood Screw

Euro Screw



2. **Press-In** – The Press-In mounting type fixes the hinge to the cabinet with pressure from a special tool. The holes for a press-in mounted hinge are bored using a special machine and template. Ribbed dowels are pre-attached to the hinges that hold the hinges in place once mounted.



Press-In
Dowel

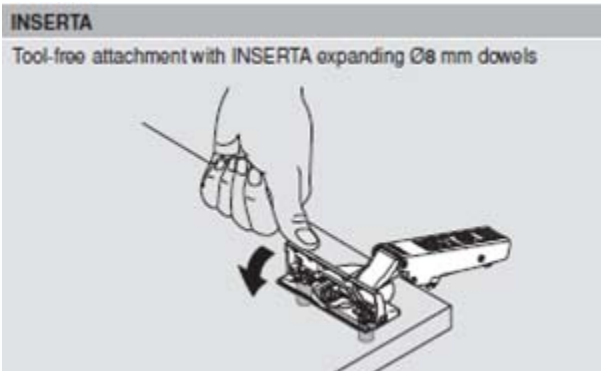


3. **INSERTA or Tool-free** - The Tool-free mounting type fixes the hinge to the cabinet with hand pressure. The holes for a tool-free mounted hinge are bored using a special machine and template. Dowels may be pre-attached to the hinges that hold the hinges in place once mounted.

INSERTA is the Blum term for a tool-free installation hinge.



Tool-Free



4. **EXPANDO** or **Expanding Dowels** - The Expanding dowels mounting type fixes the hinge to the cabinet with dowels that are expanded into place with screws. You can think of this type of mount as similar to putting a screw into drywall using a hollow wall anchor or molly. The holes for an expanding dowel mounted hinge are bored using a special machine and template. Ribbed dowels are pre-attached to the hinges and screwed in to expand the dowel into the holes to hold the hinges in place once mounted.

EXPANDO is the name Blum uses for the expanding dowel hinge mounting type.

