

Installation Requirements

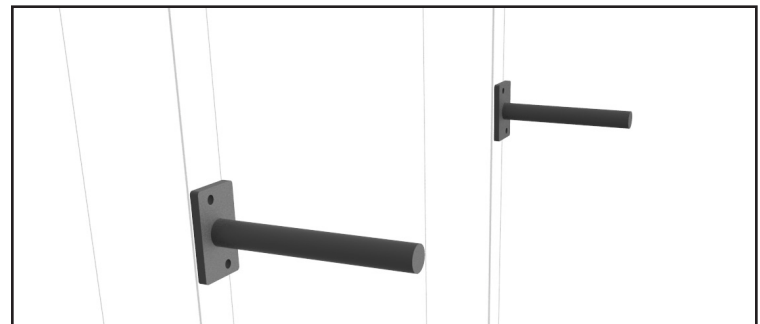
Our Floating Mantel Support Rods are designed to provide the strength required to support any mantel with a proper installation. With a 1/4" flat plate welded to a 3/4" rod, we are able to provide a carrying capacity of 100lbs per bracket. Each Mantel rod has two 1/4" straight holes that can be used to secure two 1/4" lag screws into a single stud. We provide installation information for wood studs, but these mantel rods can also be used on brick and mortar. If tying into brick and mortar, be sure to use a 3/16" mortar drill bit as well as two 1/4" concrete fasteners. (Note: Our carrying capacity is determined by the strength of the fasteners. Our brackets are able to withstand more weight if tying into a secure substrate with the proper fasteners.) Before installing, you will need the following components:

- **Bubble Level, 1/4" Lag Screw(s), Measuring Tape, Stud Finder, Power/Impact Drill, Pencil/Sharpie, 3/16" Drill Bit, Wood Router, 13/16" Drill Bit for drilling holes into the shelf**

As you prepare, go ahead and route your mantel so it is flush with the wall at the time of final installation.

Floating Mantel Support Rod (32164)

- 1.** When installing the Floating Mantel Support Rods make sure you are tying into a minimum of 1.75" thick stud wall material. You will want the fasteners to have as much biting material as possible.
- 2.** Rods should be fastened to a stud every 16" for the length of your mantel. This will provide secure fastening of the rods.



- 3.** Once you've selected the location to install you will need to locate the studs. Hold the rod in place and mark your holes. Repeat for consecutive rods.
- 4.** Use a drill bit slightly smaller than the holes (0.25") and drill pilot holes. Once the pilot holes are drilled, put the rod in place and install fasteners.
- 5.** Prior to tightening fasteners completely, check level across the rods. Adjust as needed and make final tightening of fasteners.

Final Steps

Enjoy your work. We are happy that you chose to support your project with Federal Brace brackets. We would be very grateful for images of your finished installation. Everyone enjoys seeing Federal Brace supports at work. Also, know that the highest compliment Federal Brace can receive is a reference from our customers to their friends and family. If you have enjoyed your buying experience with Federal Brace, please let someone know. Thank you!