



Every successful installation begins with good planning and action. Do not wait until the last minute to order your Wine Display Shelf Rack for installation.

Make sure that all aspects of the support or stud locations are considered to ensure that your product installation will be a success. This product installation is completable by one person but an extra set of hands never hurts.

Note that this installation document should not be considered a specific recommendation for your particular application. Federal Brace cannot provide installation guidelines to meet the particulars of every application. This document should be considered a help sheet that provides considerations about the general characteristics of a particular type of support and installation.

Characteristics of the Wine Display Shelf Rack

The Wine Display Shelf Rack comes to you in the selected rod finish and includes 11 Ga Steel Brackets in a black powder coat finish, 2 Federal Brace brackets, and 6 Parallel Rods. The Brackets have 16 holes of 0.26" diameter and 4 mounting holes of 0.26" diameter. The 16 bracket holes allow you to configure your Wine Display Shelf Rack in any way you prefer, with 3 standard configurations outlined on page 2 of this document.

Considerations When Installing the Wine Display Shelf Rack

To install the Wine Display Shelf Rack, have a level, measuring tape, pencil, wall anchors, Rod Assembly Screws M6 size x Qty 12, 1/4" Hex Lag Screws x Qty 4, all purpose wall anchors, 7/16" hex driver bit, star headed screwdriver, and stud finder.



First, place the brackets on a flat surface in a standing position. Decide what application you want your Wine Display Shelf rack to be in:

Horizontal
Neck Up
Neck Down

Attach the rods into the selected holes using the rod assembly screws M6 size. Screw these in securely. After you are satisfied with your rod placement, measure the area where you want your Wine Display Shelf Rack to be. While holding the bracket in position, find the location for one of the main fastener holes and pre-drill for that location.

Place the Wine Display Shelf Rack on the wall and secure it with a 1/4" hex lag screw. With assistance, level the rack to ensure it is balanced. Mark the other holes and allow the rack to hang. Drill holes where the rack will be secured. Place the rack back in to place and secure the remaining 3 holes with 1/4" hex lag screws.

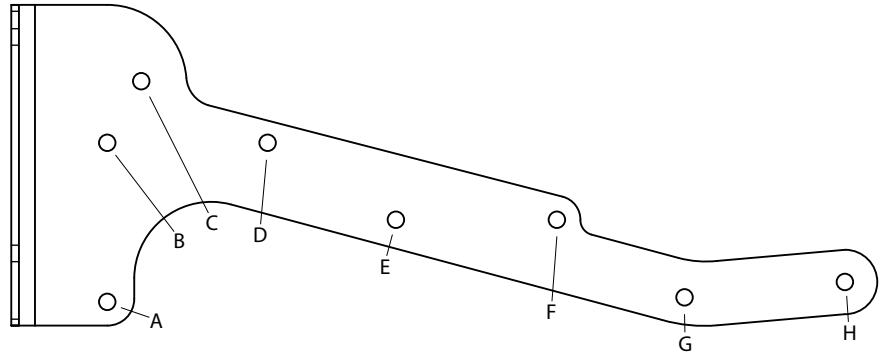
If modifications need to be made to your rod configuration, this can be done now.

The final step is to enjoy your work and add your favorite wine! We are thankful that you chose to use Federal Brace Wine Display Shelf Rack in your home or commercial property.

Please send us images of your installation to "photos@shortrunpro.com" to have your work featured on our website and social media platforms.

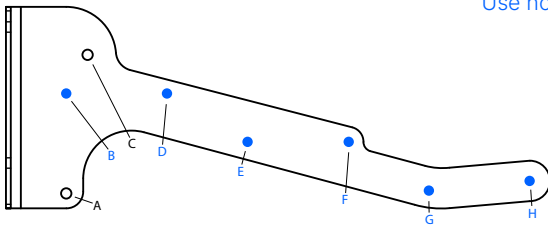
The bracket arms for the Wine Display Shelf Rack come with 8 pre-drilled holes for bracket configuration. To use your bracket arms in the appropriate configuration, follow the diagrams below which label the appropriate holes to use for installing your parallel rods.

Holes are labeled as shown.



Product Configuration - **Horizontal**

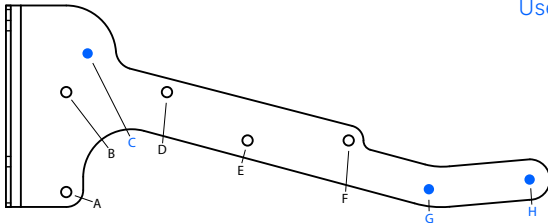
Use holes: B, D, E, F, G, H



*Fastener's highlighted blue for added accuracy

Product Configuration - **Neck Up**

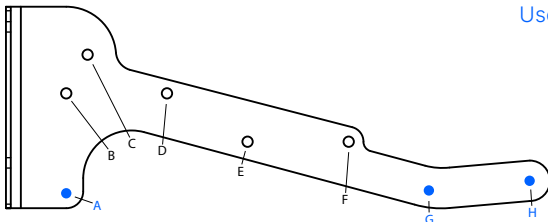
Use holes: C, G, H



*Fastener's highlighted blue for added accuracy

Product Configuration - **Neck Down**

Use holes: A, G, H



*Fastener's highlighted blue for added accuracy