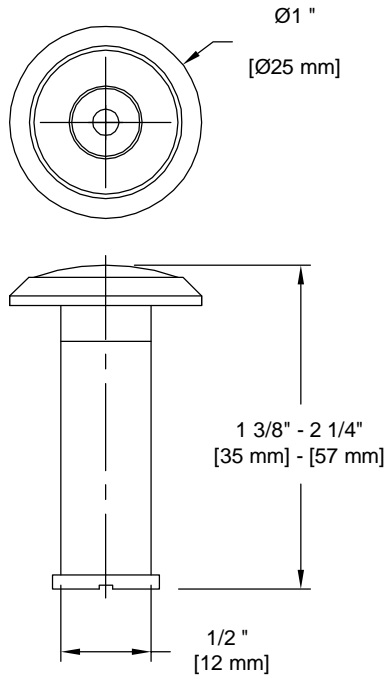


PRODUCT DATA SHEET

Product Description: Door viewer, 180 degrees, 1/2" bore. Adjustable to fit doors from 1 3/8" to 2" thick. Fabricated from zinc with a US10B oil rubbed bronze finish. Viewing lens fabricated from glass. UL 90 minute fire rating.



Overall Size: 1" W X 1" H X 1 11/16" D

Material: Zinc

Finish: US10B Oil Rubbed Bronze

Cross Reference

Manufacturer	Part Number



Description:

**Door Viewer, 180,
1/2" Bore, 1 3/8"- 2" UL**

Part Number:

31859

Date

06/16

Rev.

05

Sheet 1 of 1