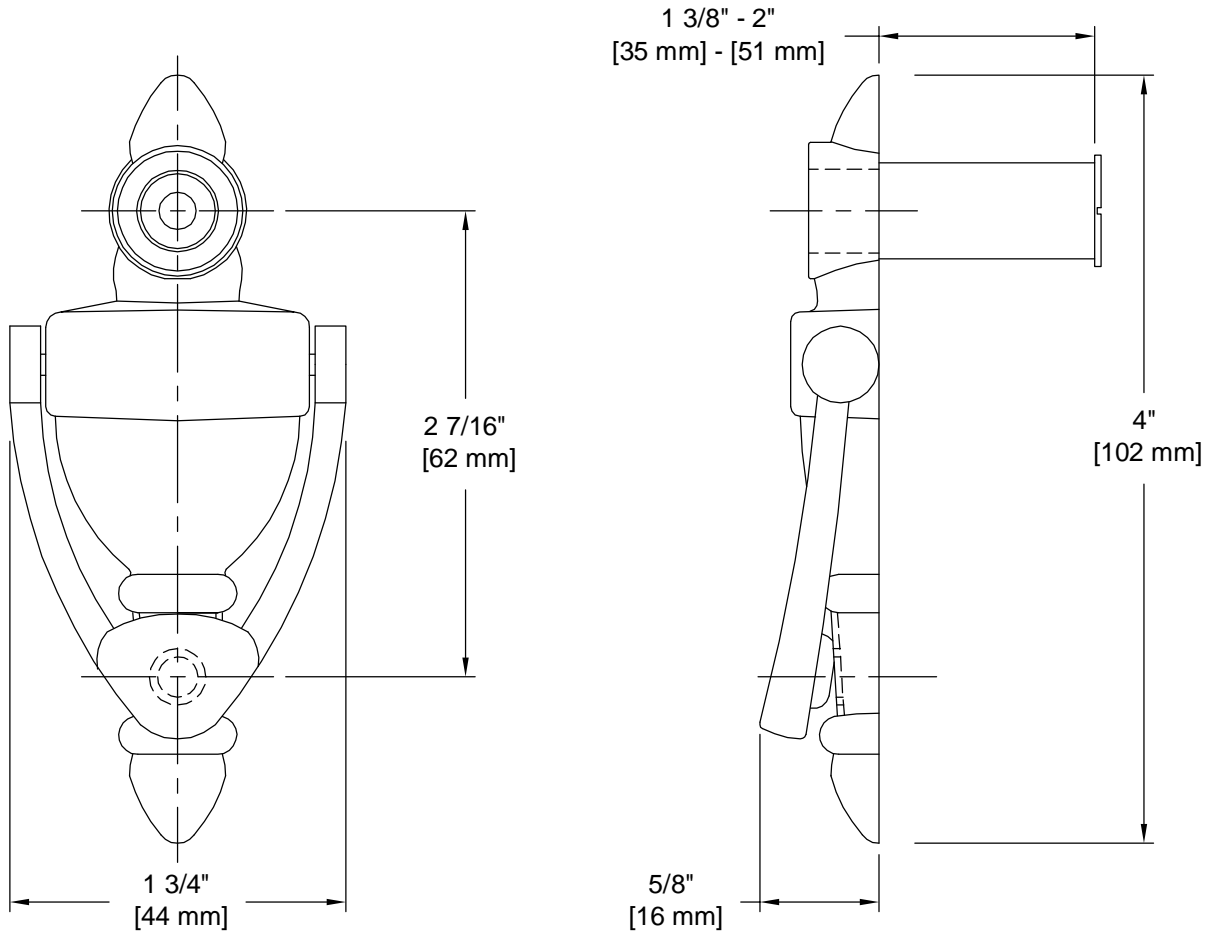


PRODUCT DATA SHEET

Product Description: Door knocker with viewer, 160 degrees, 4". For 1 1/4 - 1 3/4" thick door. Fabricated from zinc with a US10B oil rubbed bronze finish. Viewing lens fabricated from plastic. Mounting hardware: One 7/8" length screw included.



Overall Size: 1 3/4" W X 4" H X 5/8" D

Material: Zinc

Finish: US10B Oil Rubbed Bronze

Cross Reference

Manufacturer	Part Number



Description:

**Door Knocker With
Viewer, 160, 4"**

Part Number:

32425

Date

06/16

Rev.

05