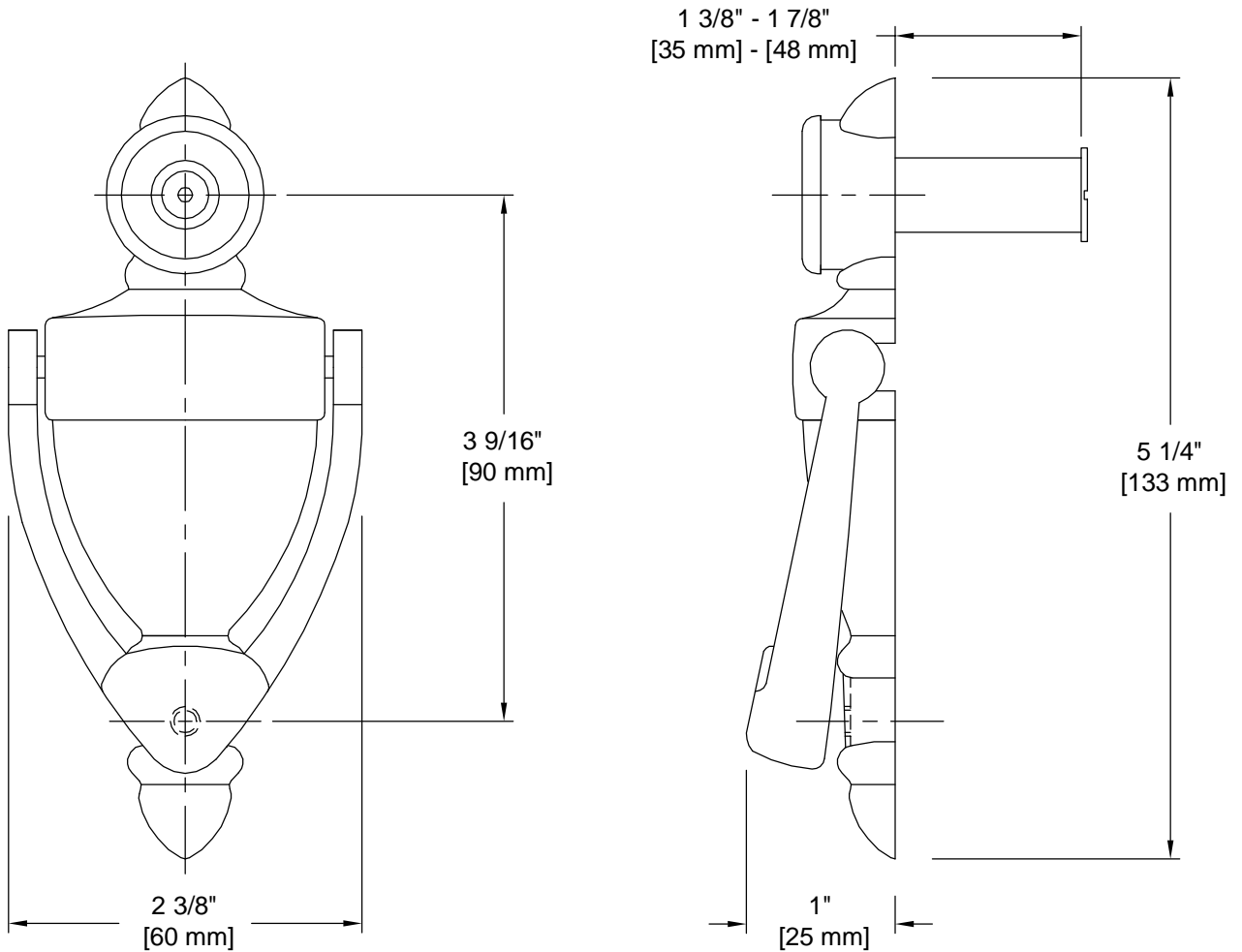


PRODUCT DATA SHEET

Product Description: Door knocker viewer, 1/2" bore, 180 degree view, 5 1/4" high. For 1 1/4 - 1 3/4" thick door. Fabricated from zinc with a US10B oil rubbed bronze finish. Viewing lens fabricated from plastic. Mounting hardware: One 7/8" length screw included.



Overall Size: 2 3/8" W X 5 1/4" H X 1" D

Material: Zinc

Finish: US10B Oil Rubbed Bronze

Cross Reference

Manufacturer	Part Number



Description:

**Door Knocker Viewer,
1/2" bore, 180, 5 1/4"**

Part Number:

32439

Date

06/16

Rev.

05