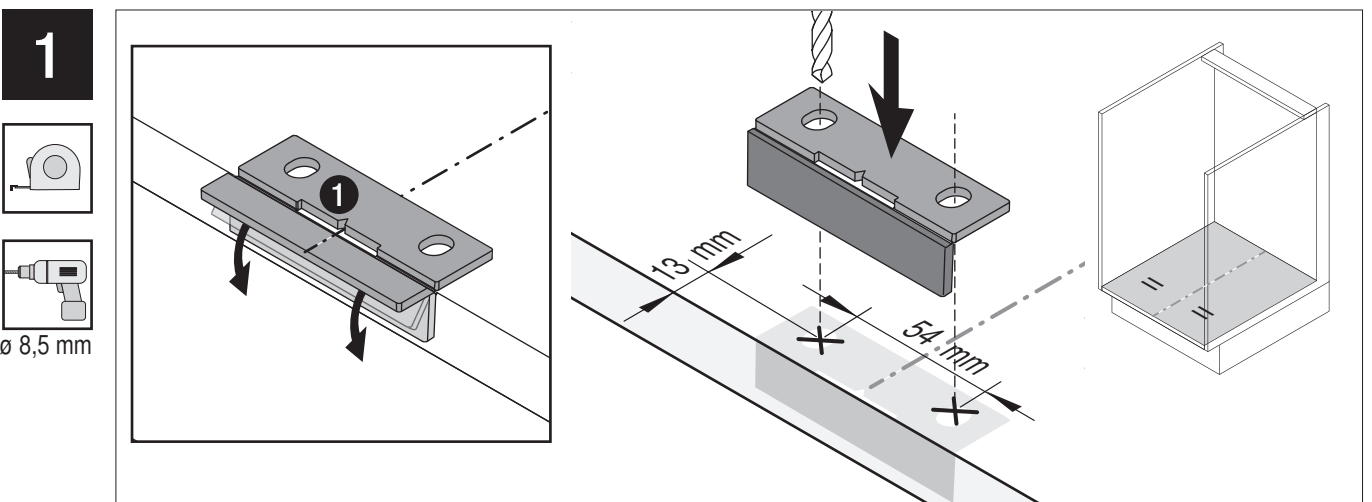
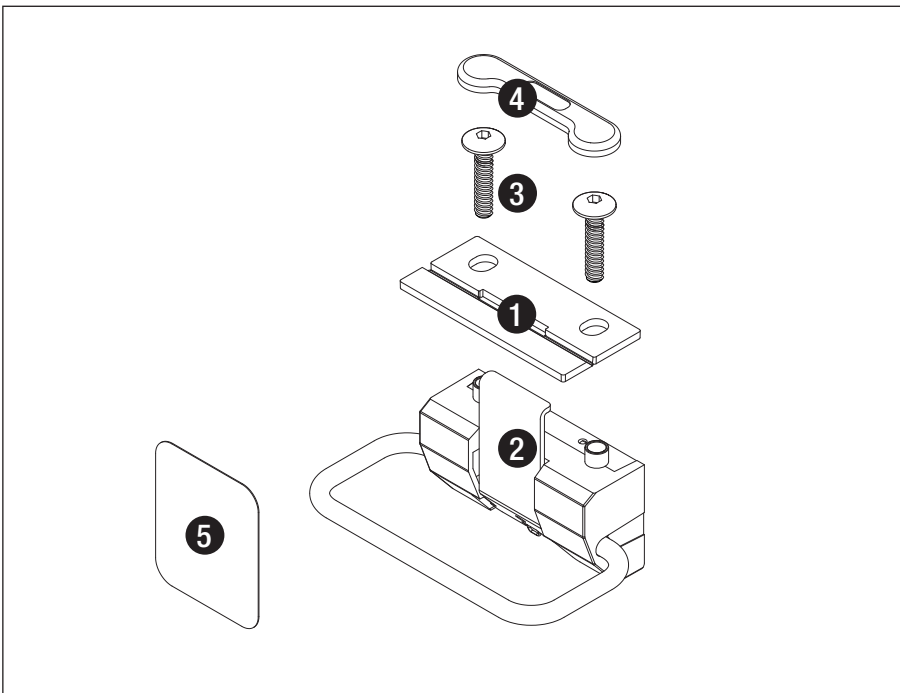
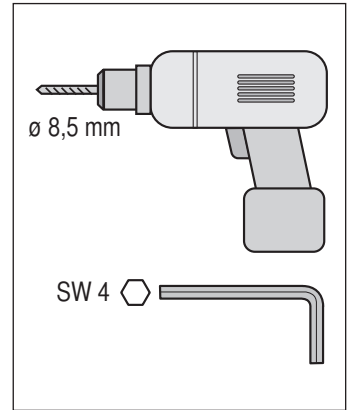
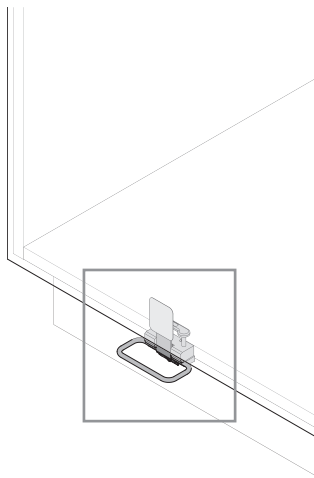
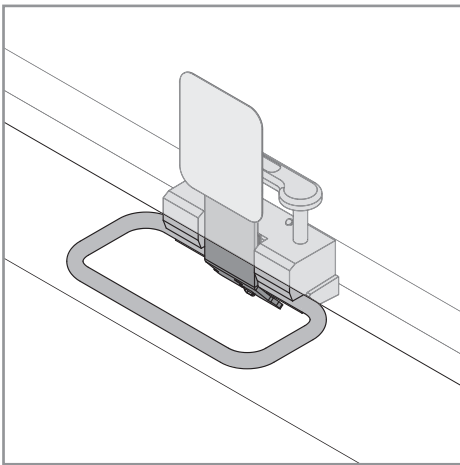


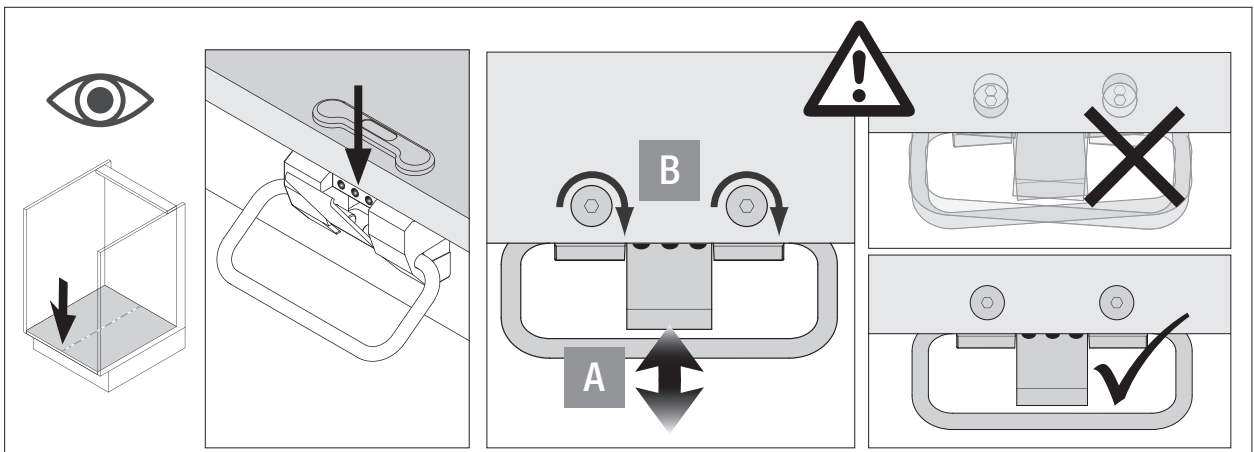
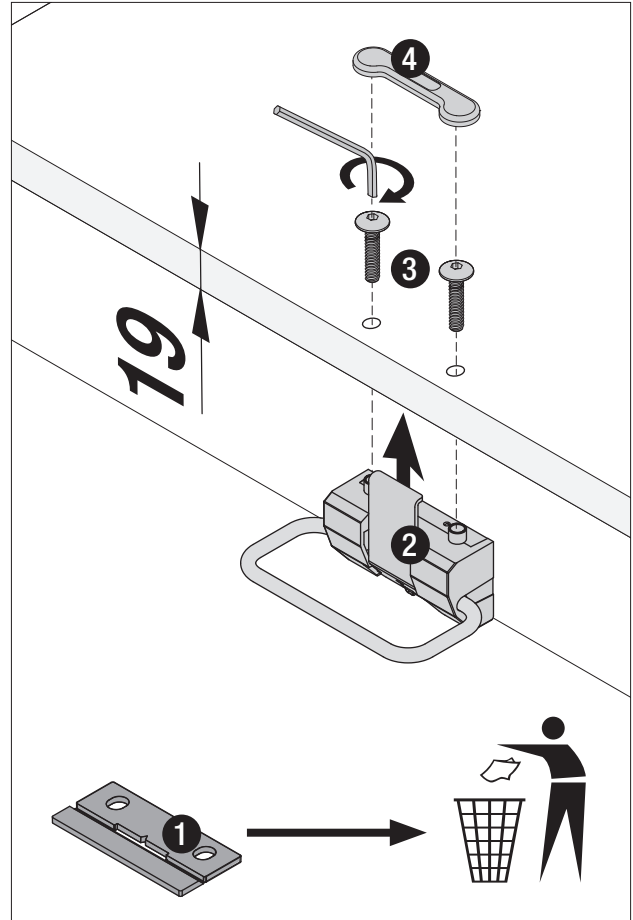
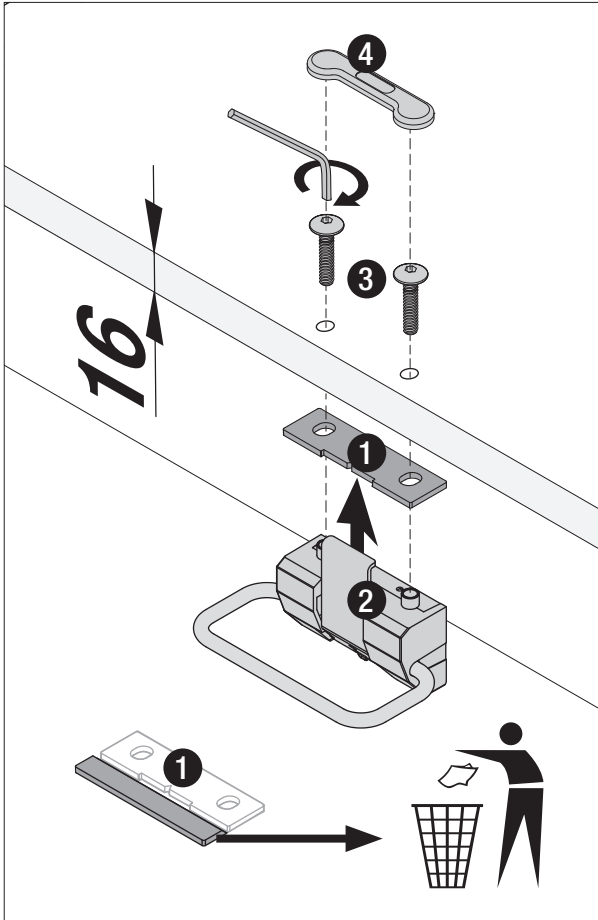
07 / 2019



VS ENVI® Kick



2



3

