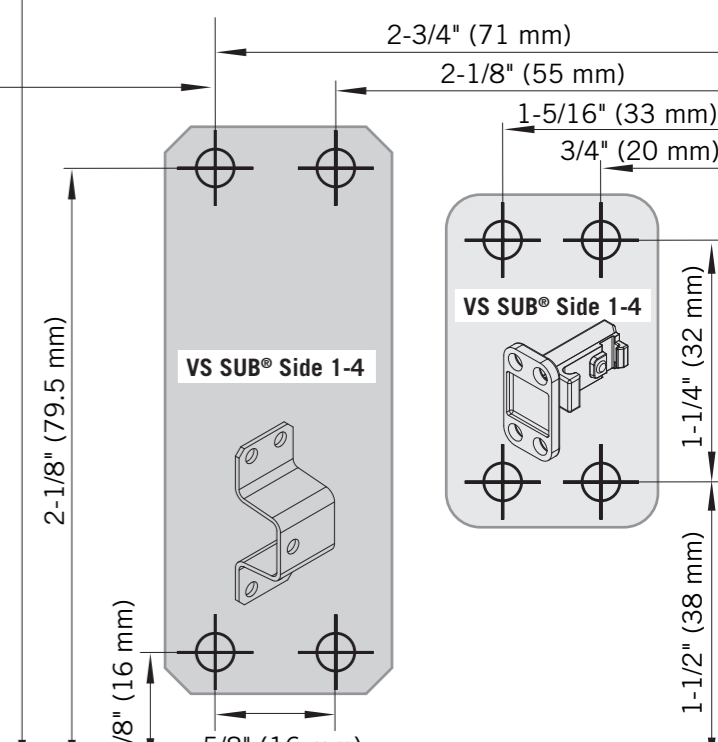
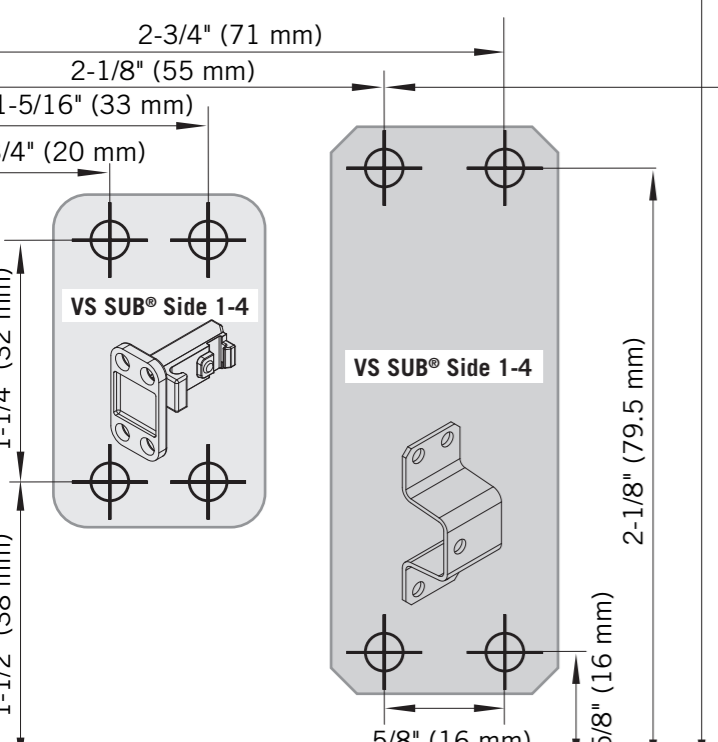
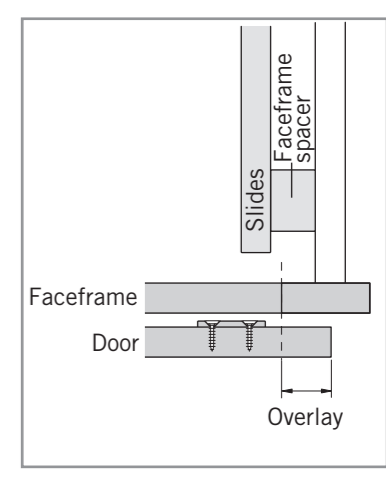
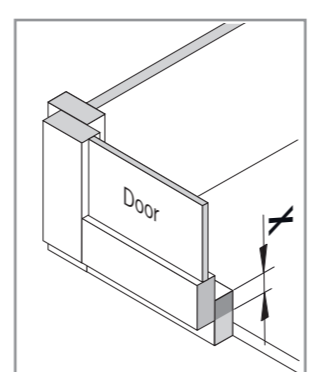
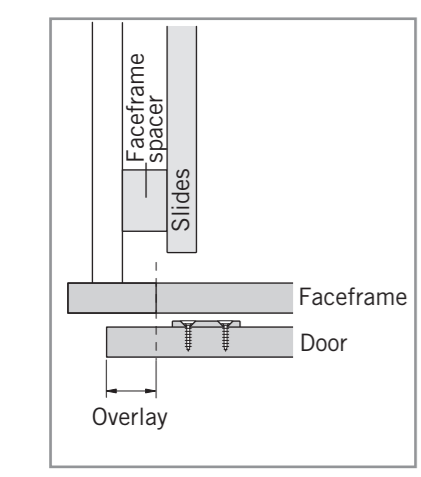
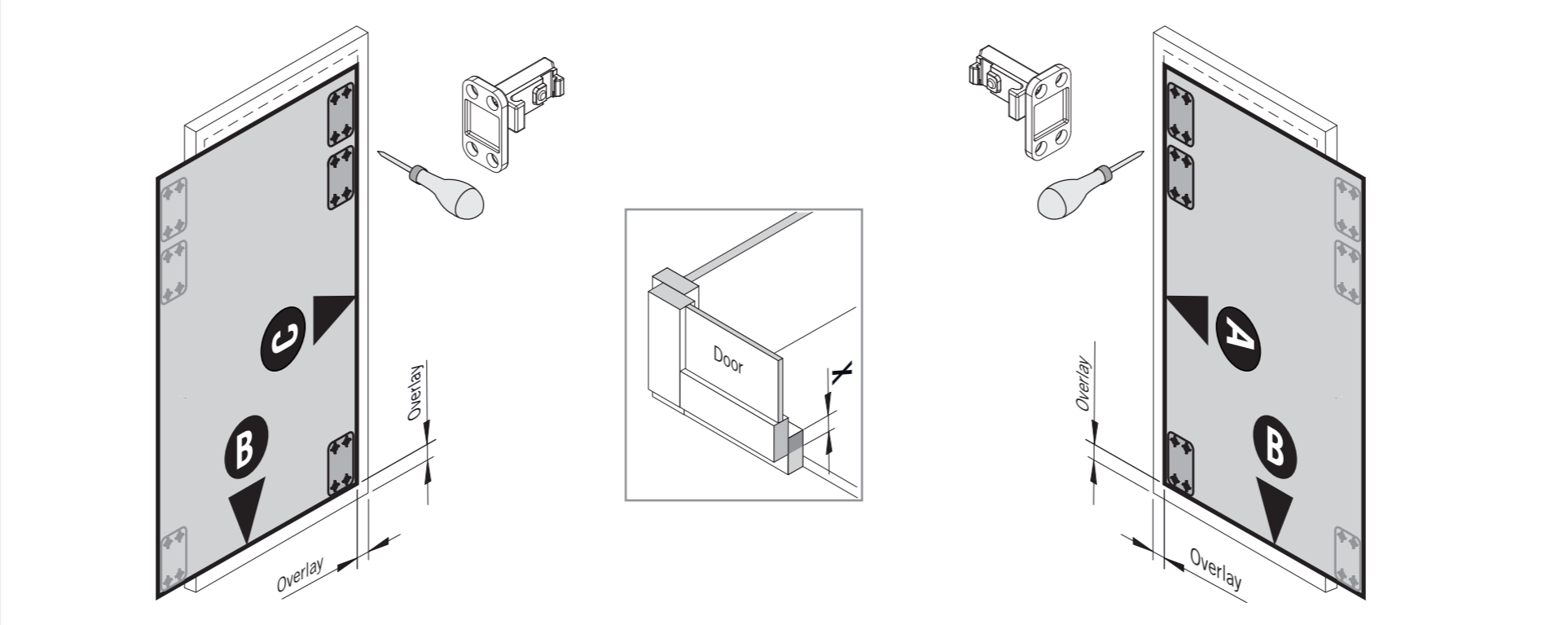
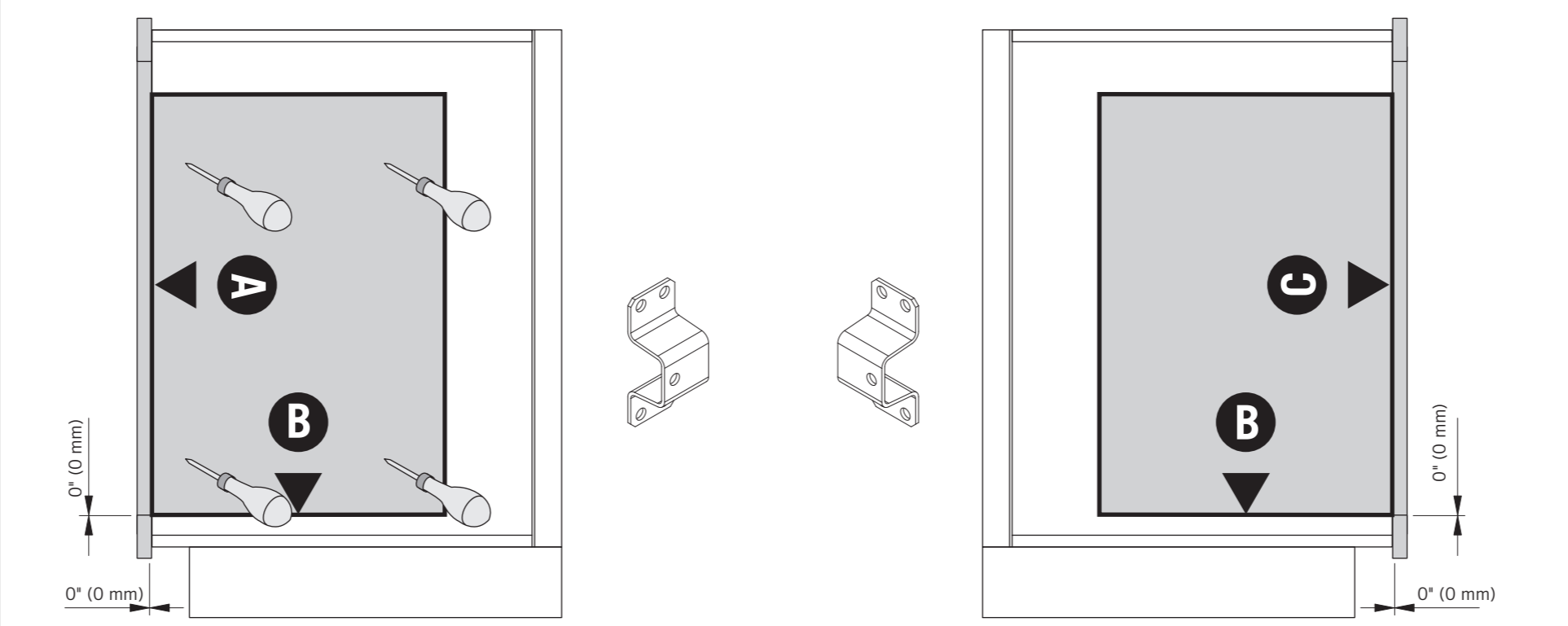
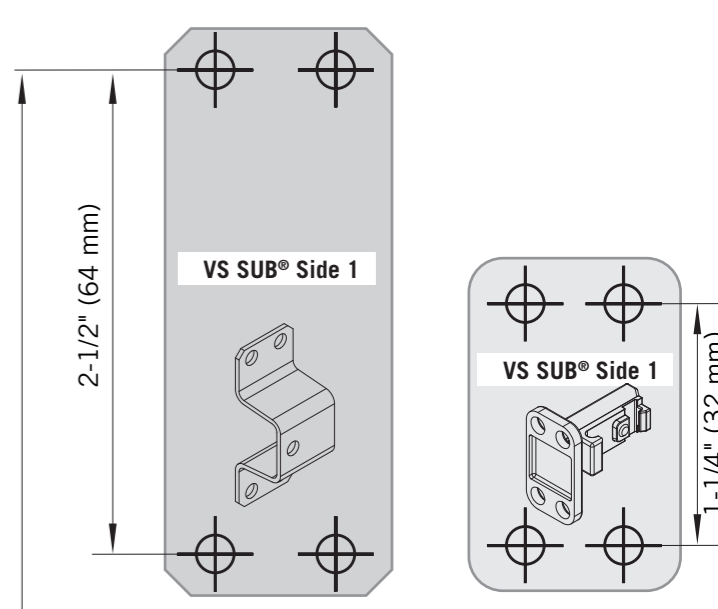
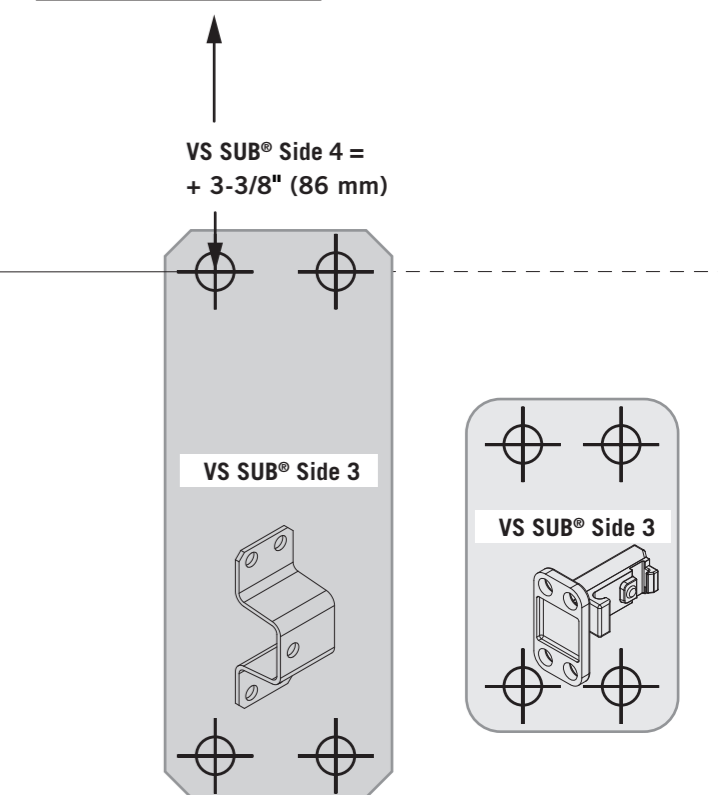
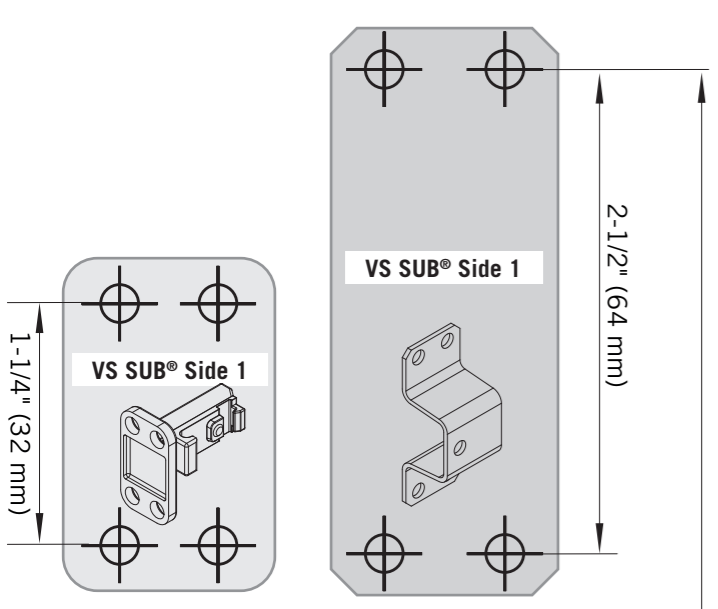
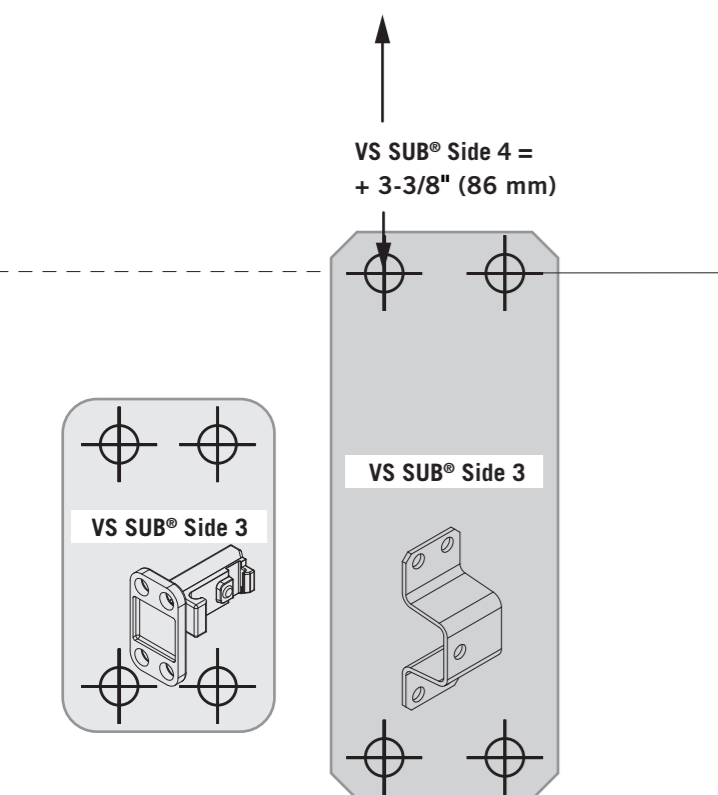
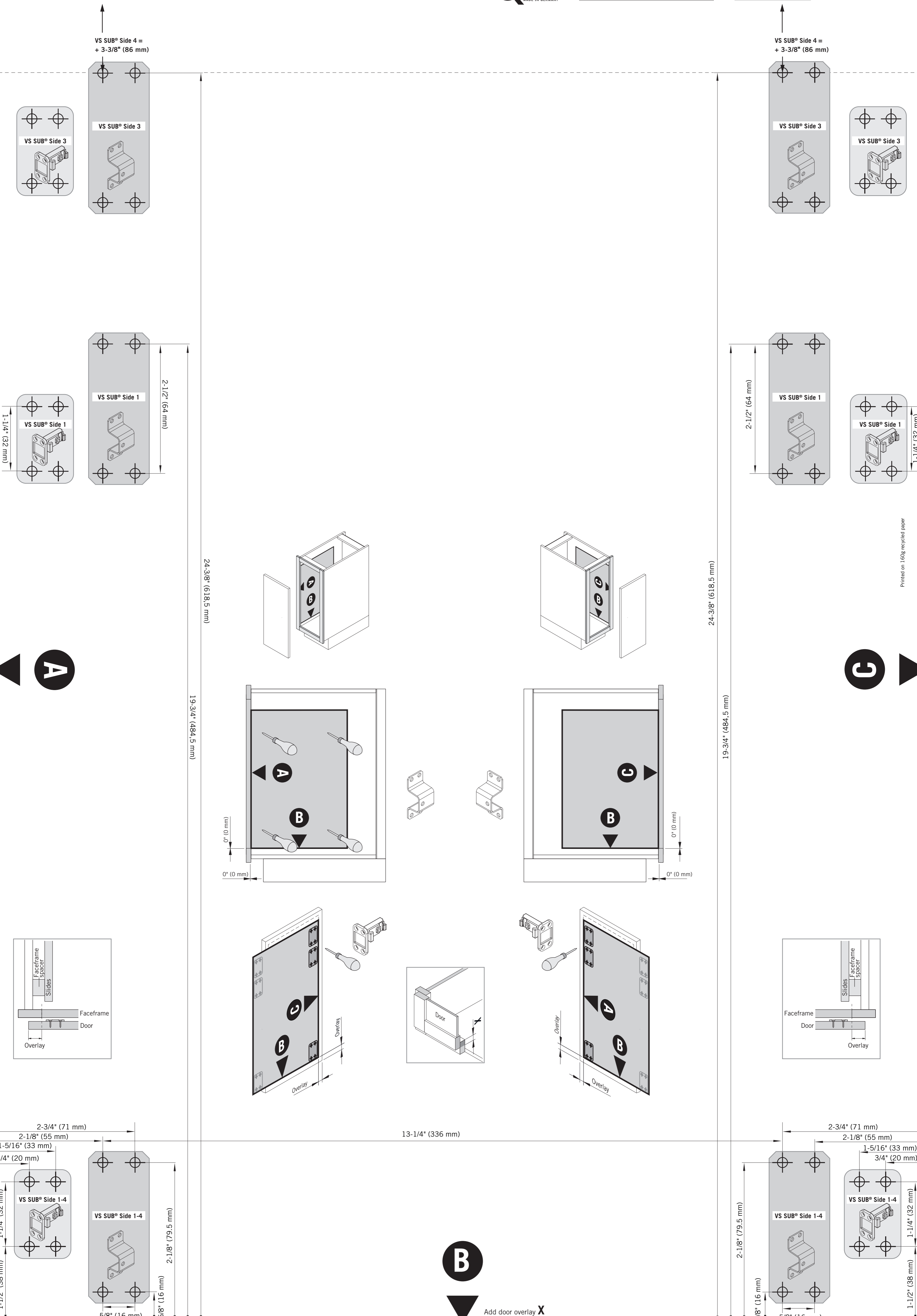
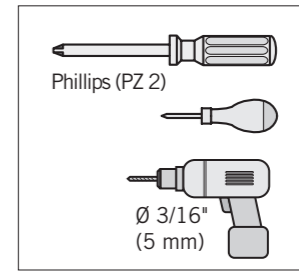


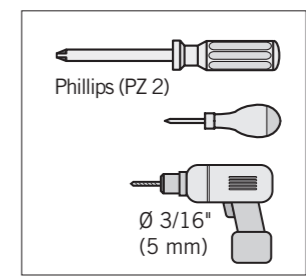
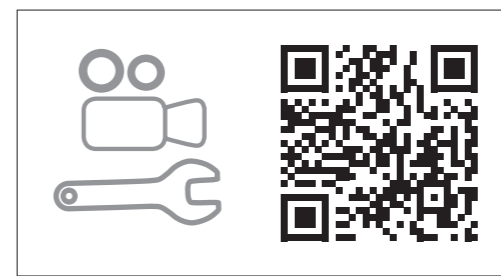
VS SUB® Side



B

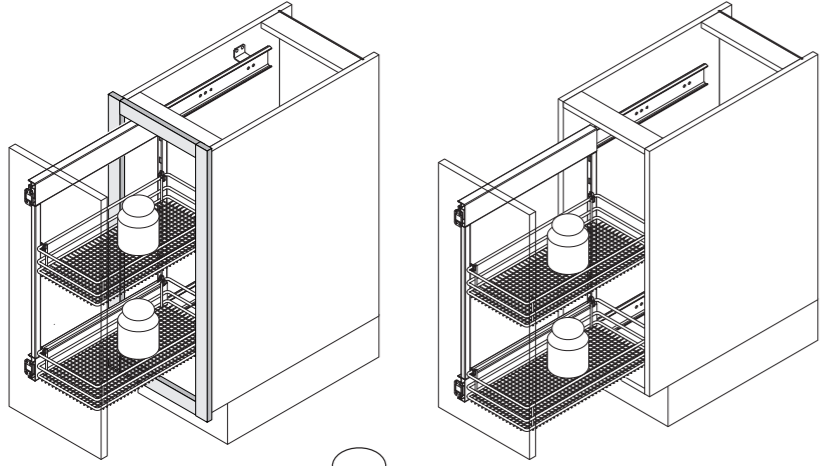
Add door overlay **X**

VS SUB[®] Side



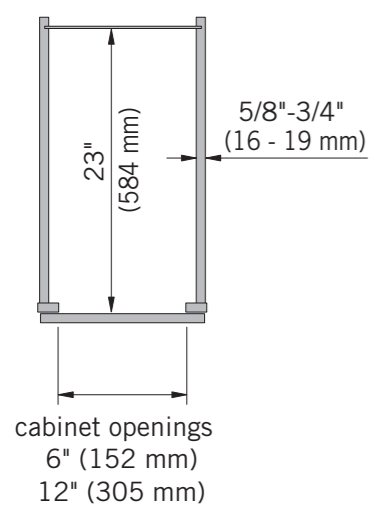
Face Frame Kitchens

Euro-Style Kitchens

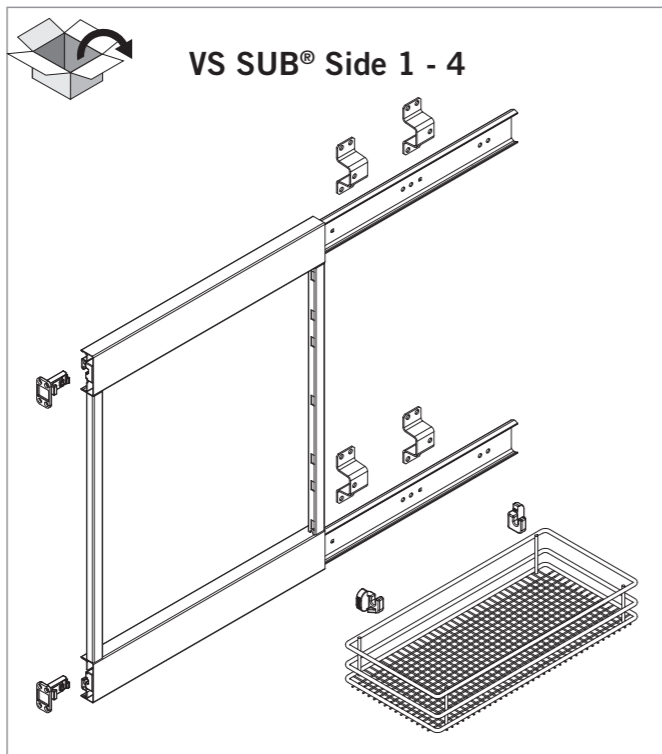


Σ = max. 45 lbs. (20 kg)

Cabinet dimensions



VS SUB[®] Side 1 - 4



1a Face Frame

A

B

C

16 x
3/16" x 5/8"
(4 x 16 mm)

4 x
3/16" x 3/8"
(M5 x 10 mm)

CAUTION:
For 1-1/2" face frame only!

VS SUB Side	A
1	16 1/2" (420.5 mm)
3	21-13/16" (554.5 mm)
4	26 5/8" (676.5 mm)

1b Euro-Style

VS SUB Side	A
1	17-11/16" (450 mm)
3	22-15/16" (584 mm)
4	23" (706 mm)

4 x
3/16" (5 mm)

6 x
3/16" x 5/8"
(4 x 16 mm)

2a Face Frame

VS SUB Side	B
1	16-15/16" (430 mm)
3	22-1/4" (564 mm)
4	27" (686 mm)

8 x
3/16" x 5/8"
(4 x 16 mm)

Faceframe
Door
Overlay = X

2b Euro-Style

VS SUB Side	B
1	16-13/16" (427 mm)
3	22-1/16" (561 mm)
4	26-7/8" (683 mm)

8 x
3/16" x 5/8"
(4 x 16 mm)

X = Y = Z

3

4

5