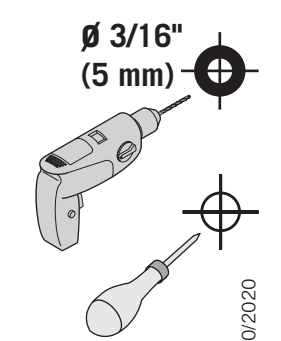
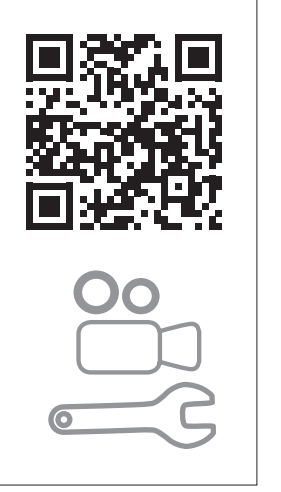
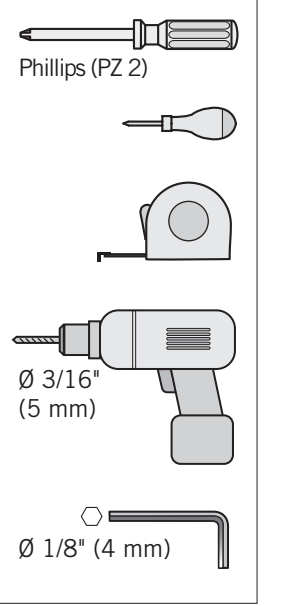
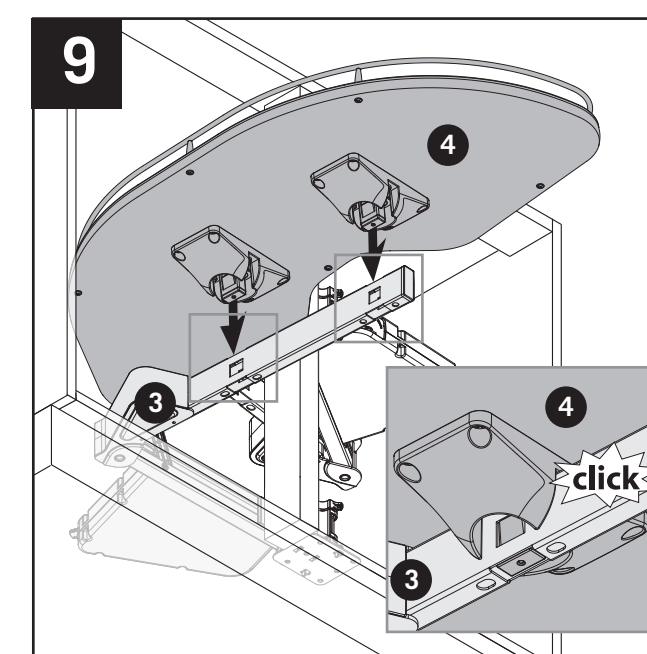
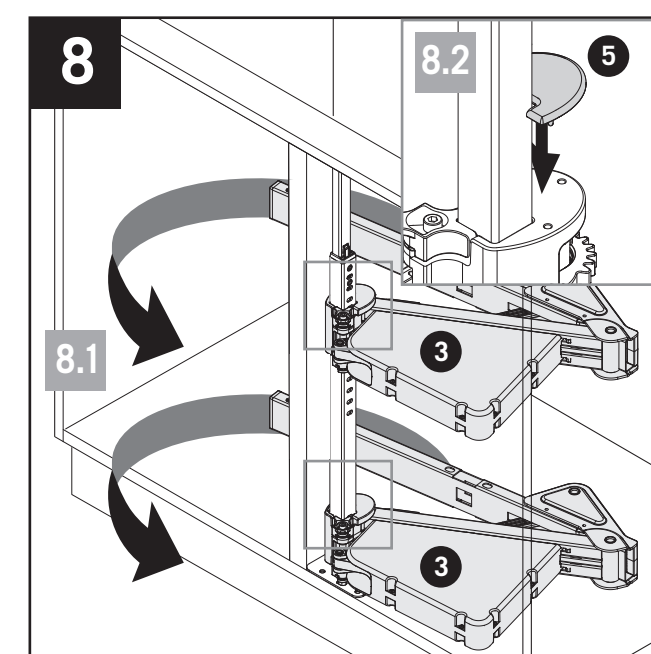
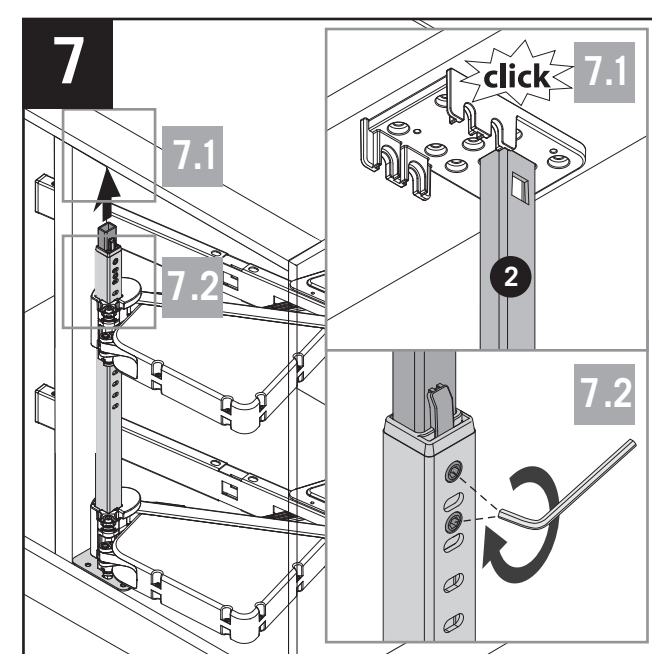
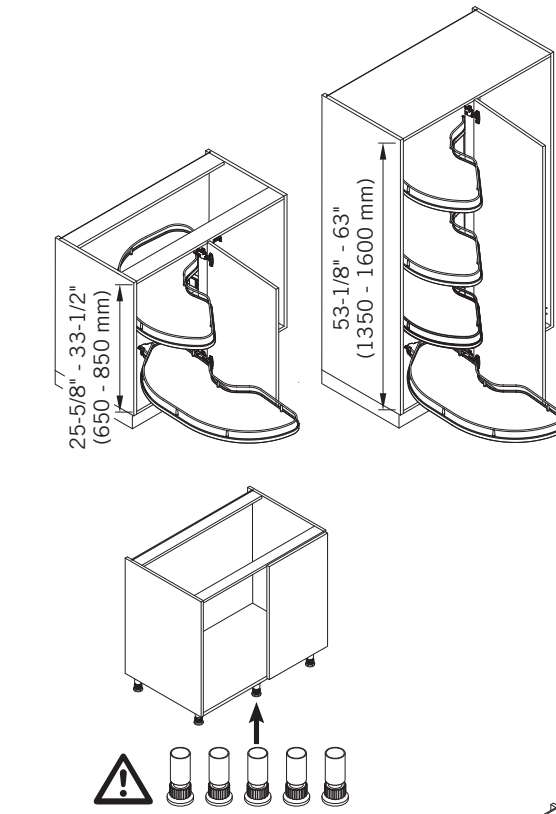
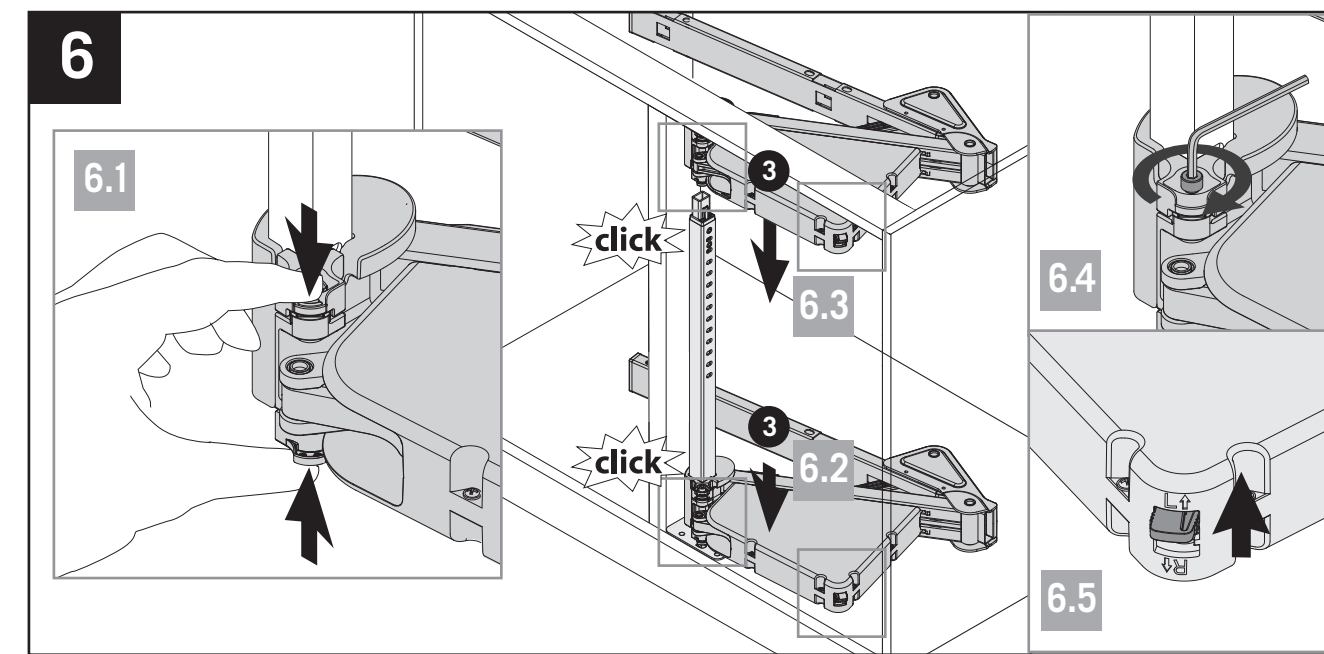
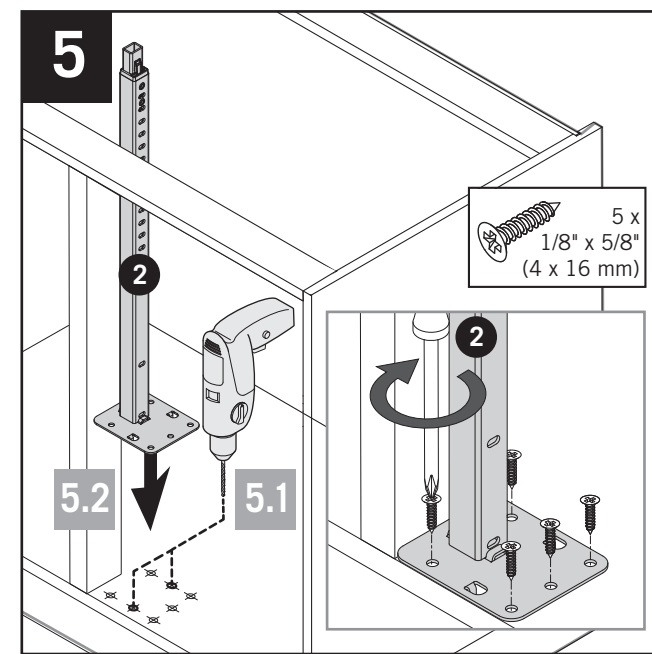
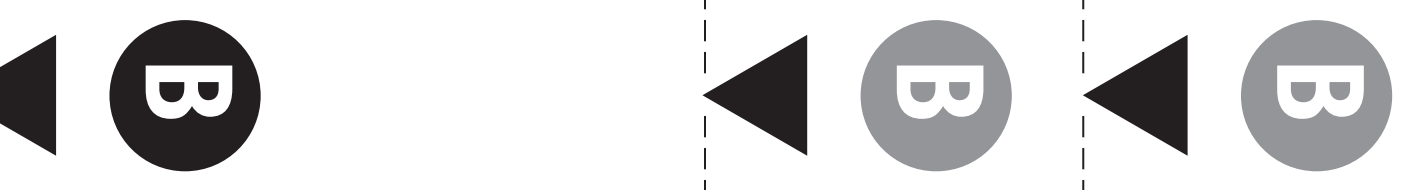
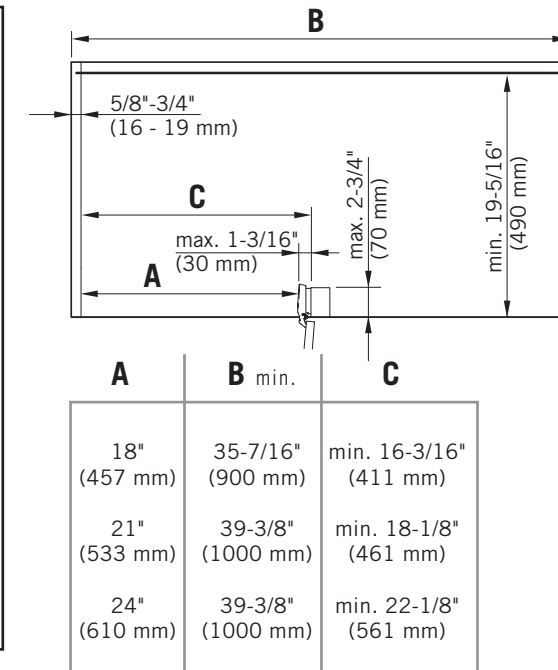
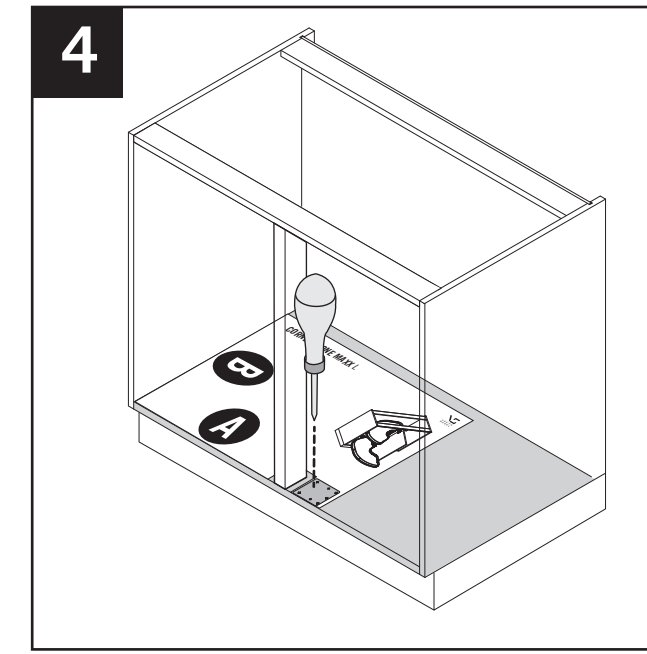
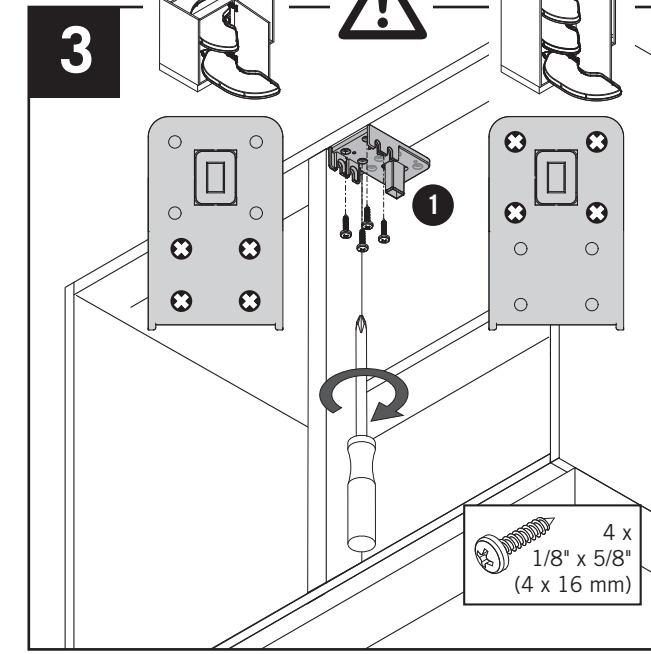
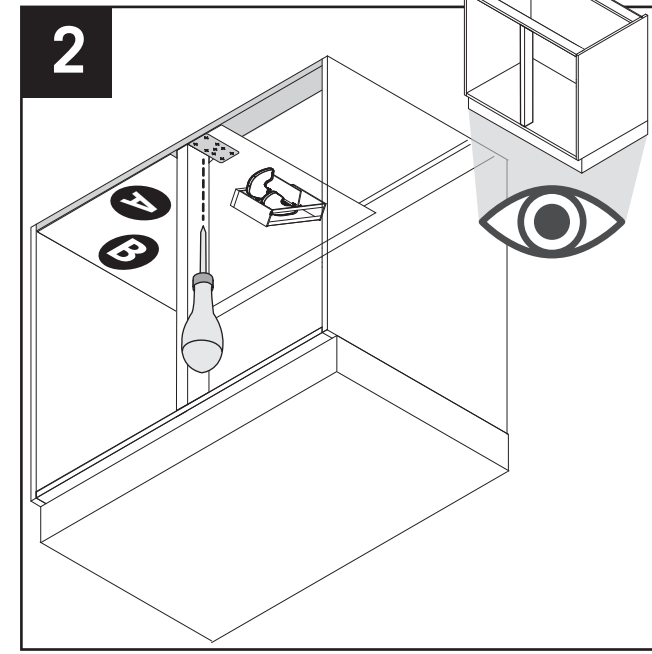
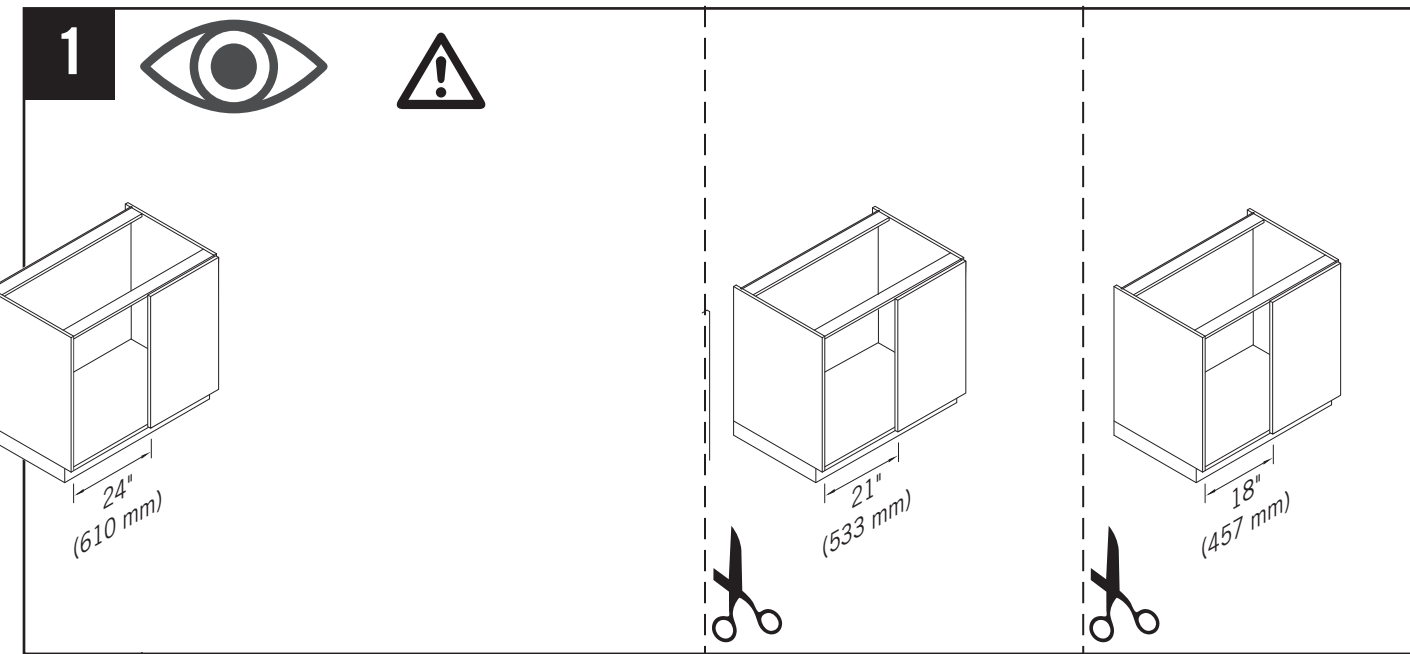
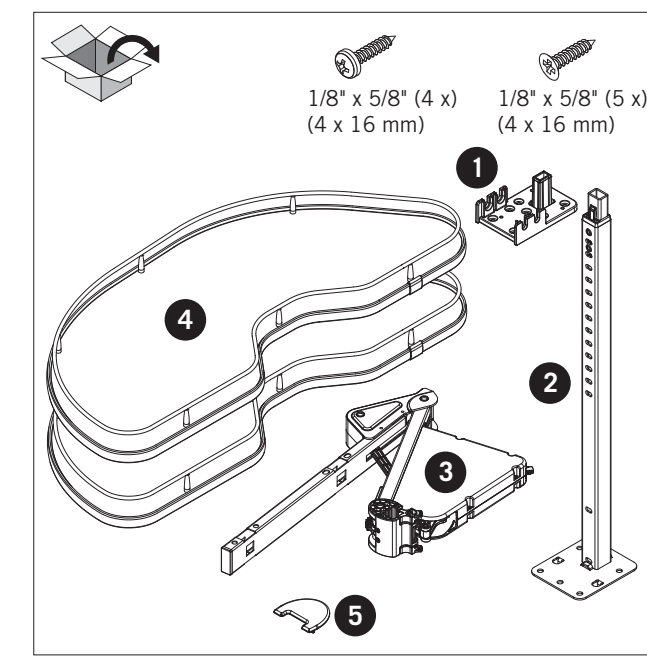
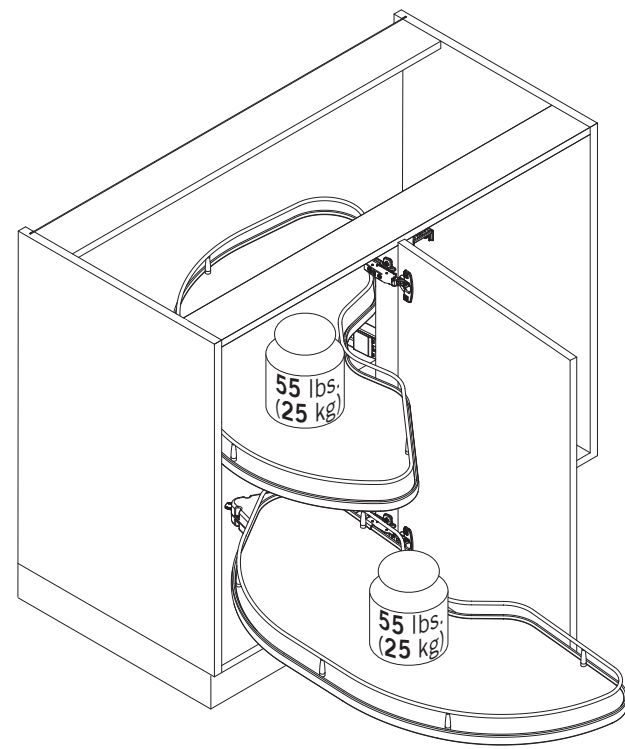


# VS CORNERSTONE® MAXX L



10/2020  
44012049\_02



Vauth-Sagel USA LP  
Address: 1821 Baker Road  
High Point, NC 27263  
Phone: +1 336 861 0740  
Fax: +1 336 861 0741  
Email: support@vauth-sagel-usa.com  
Web: www.vauth-sagel-usa.com

