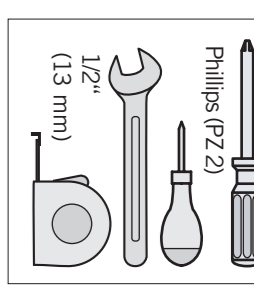
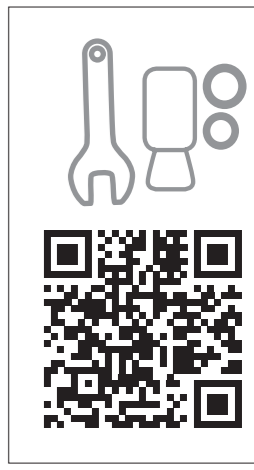
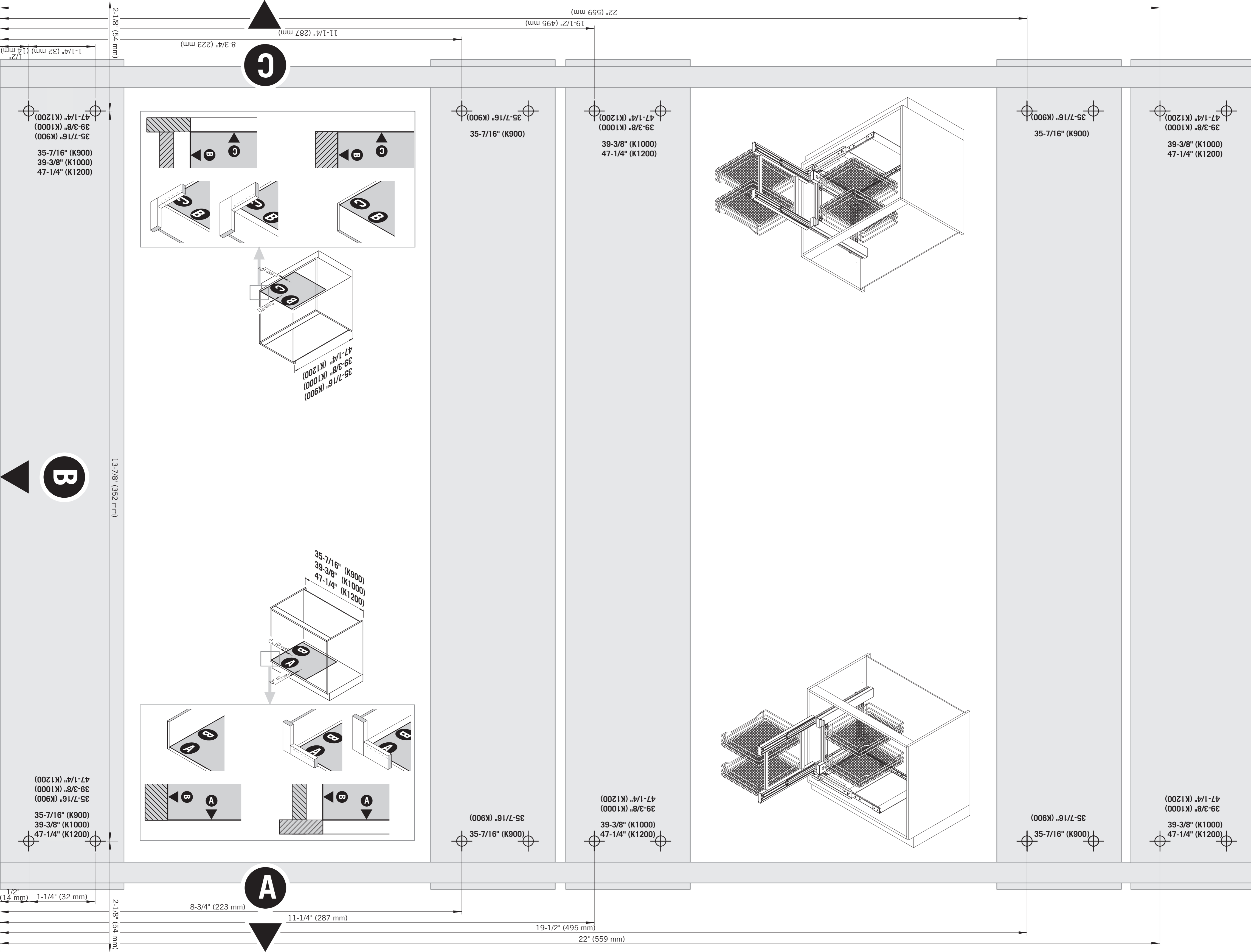
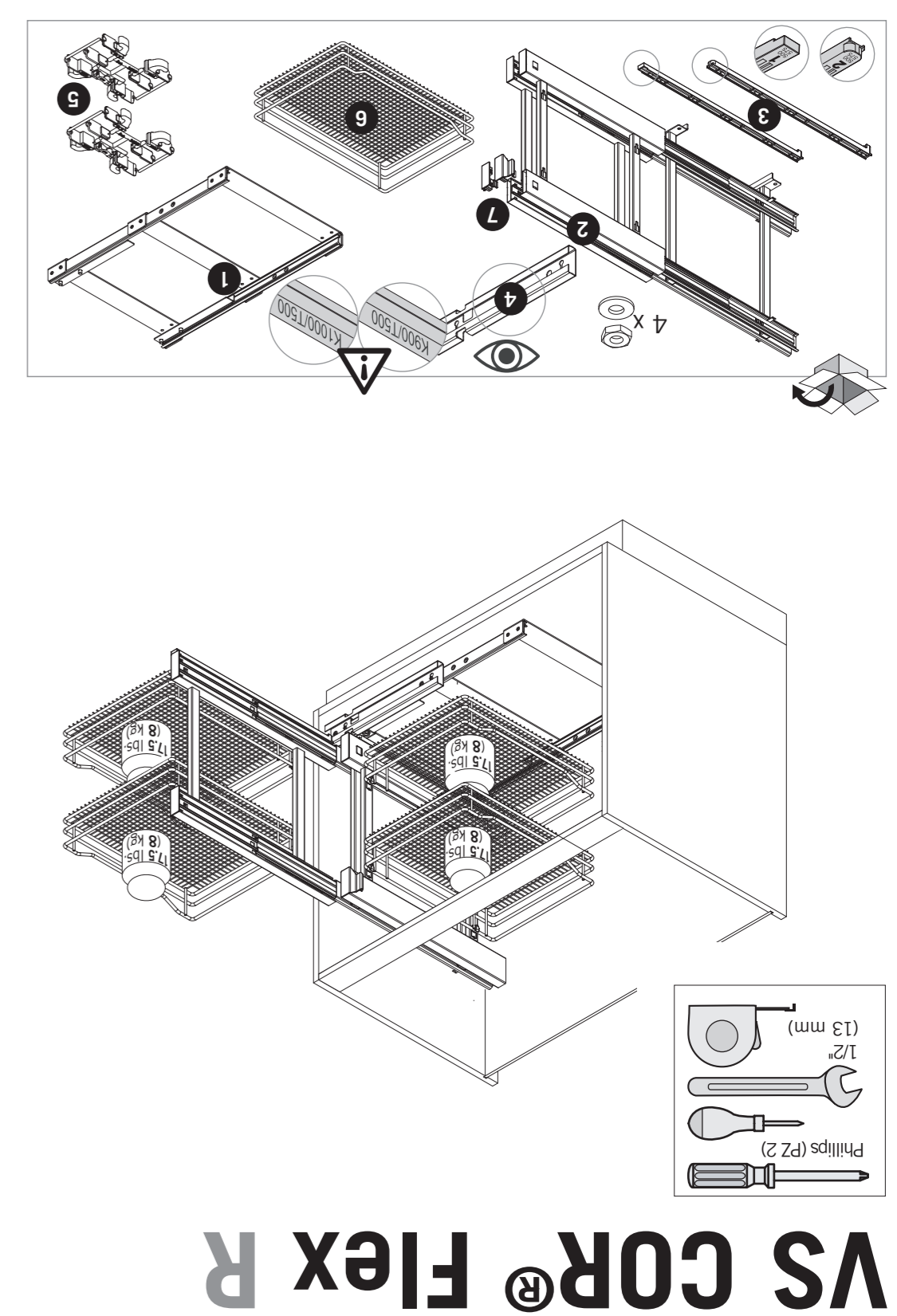
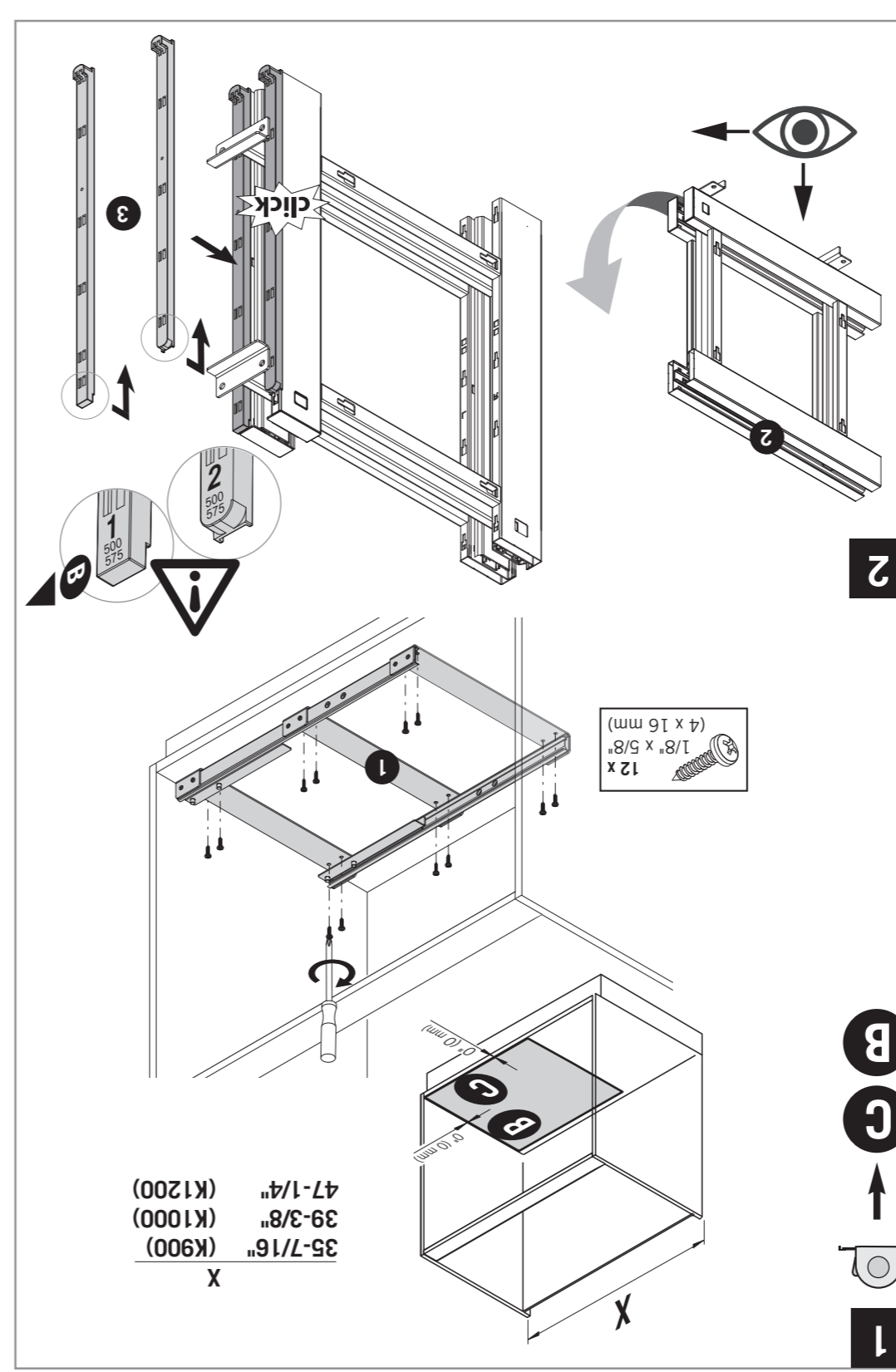
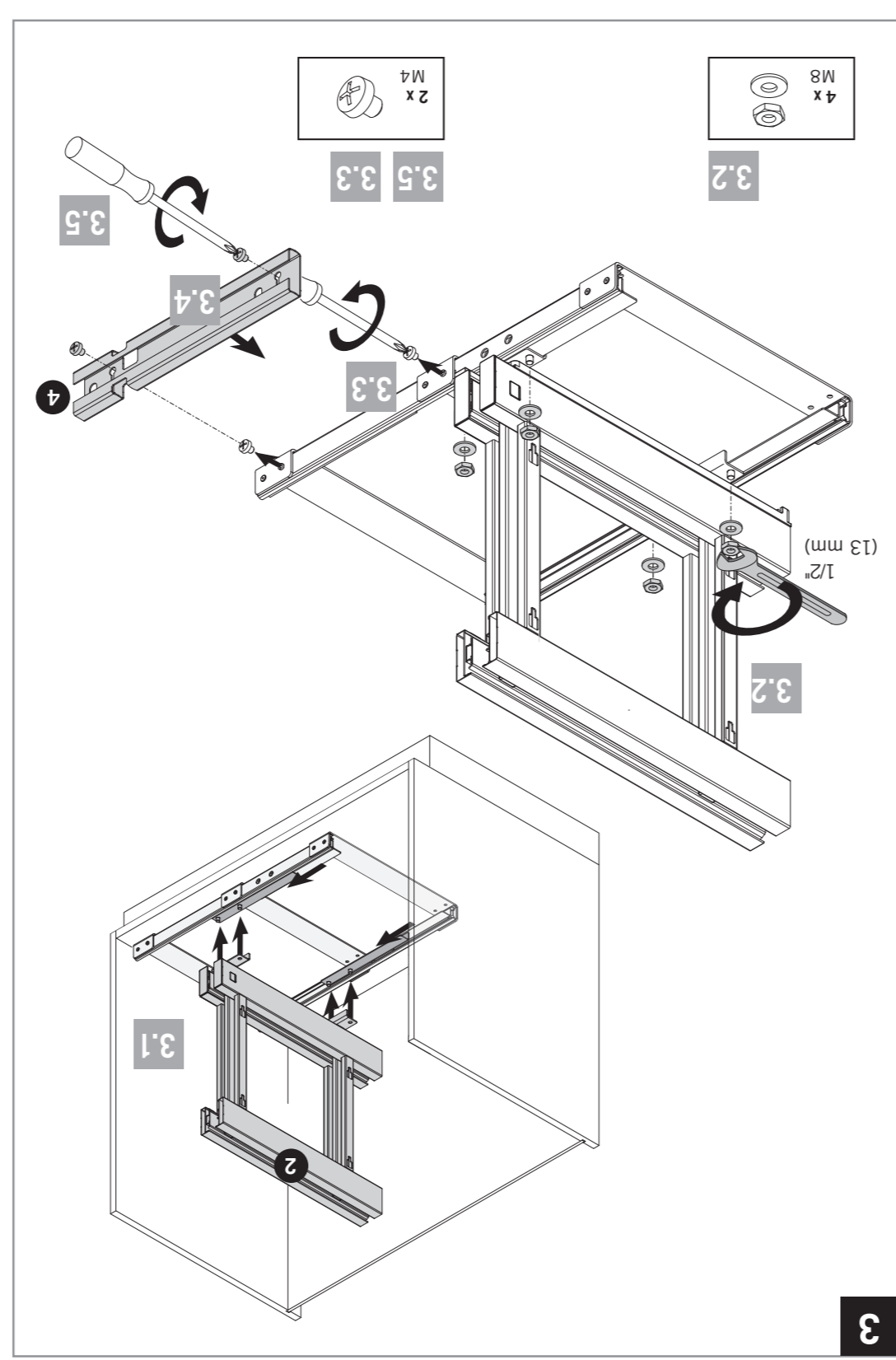
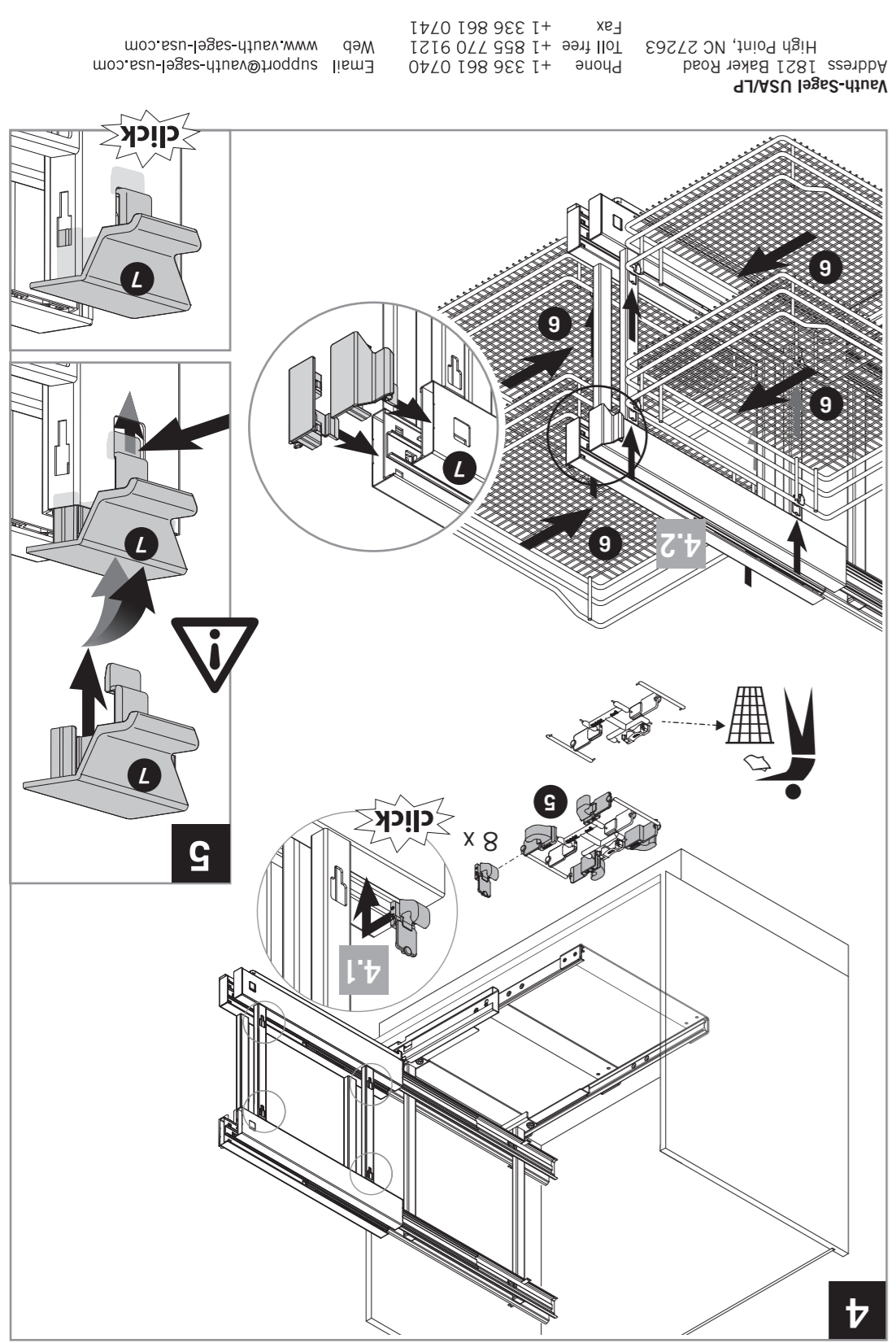
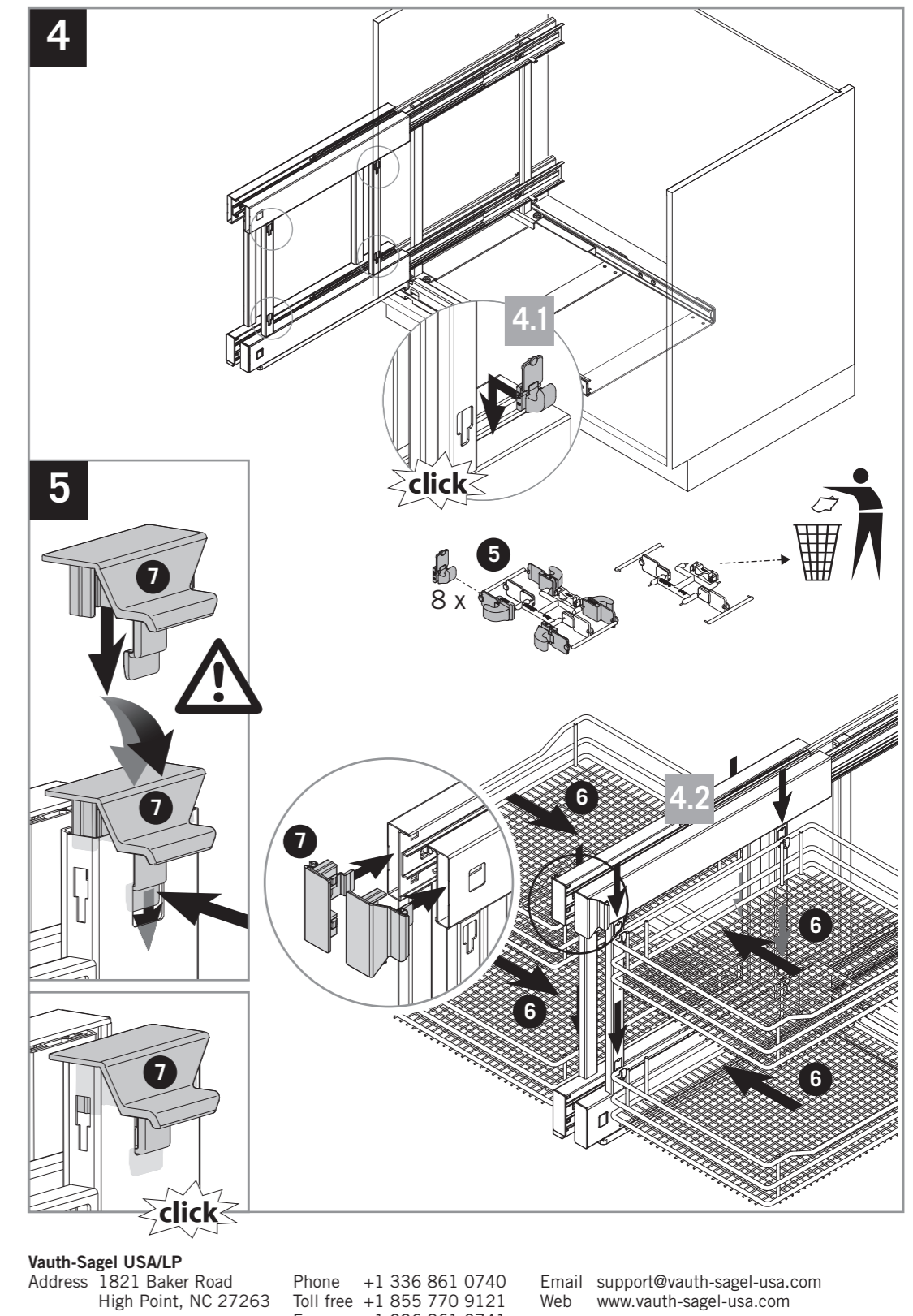
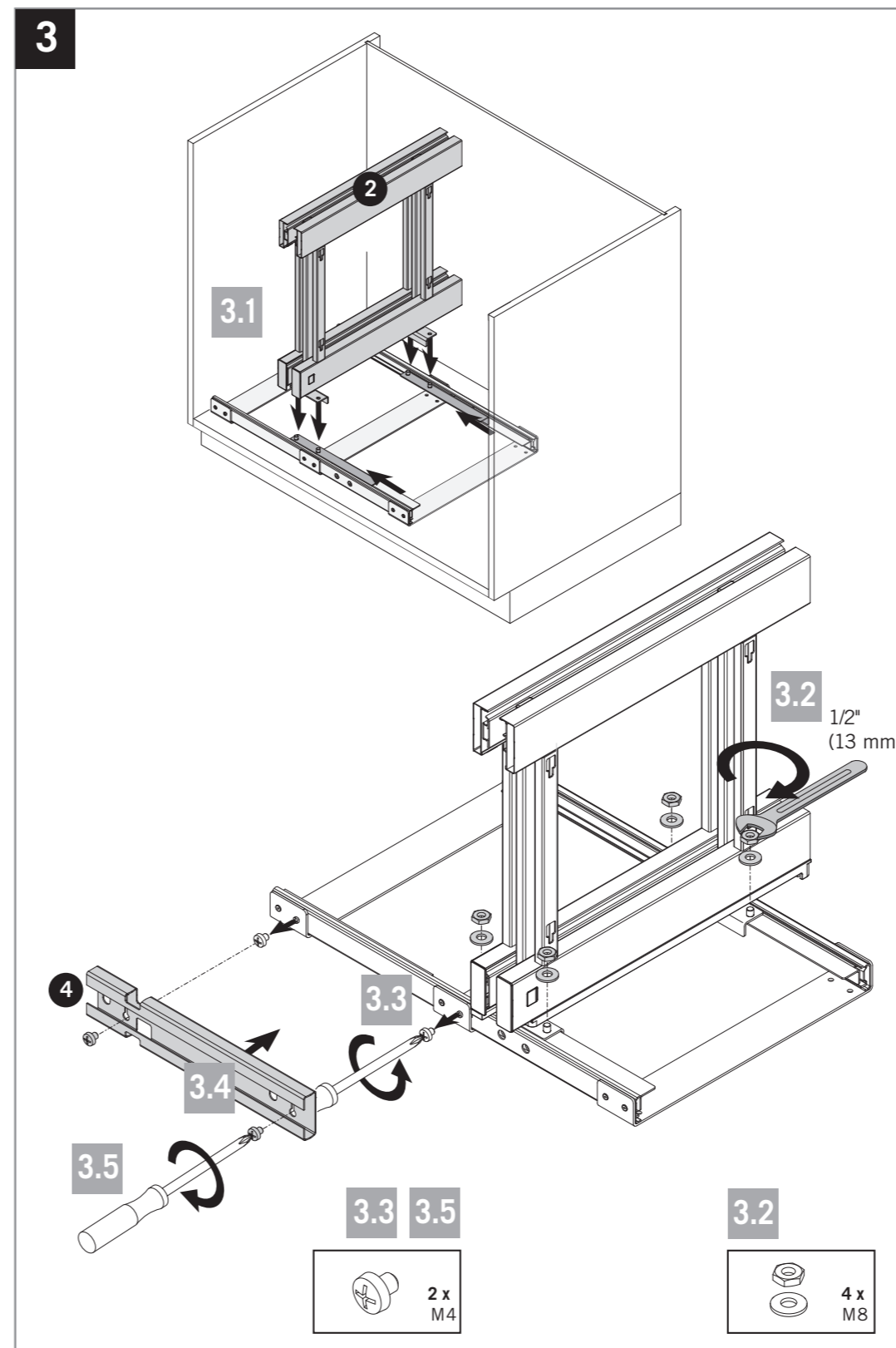
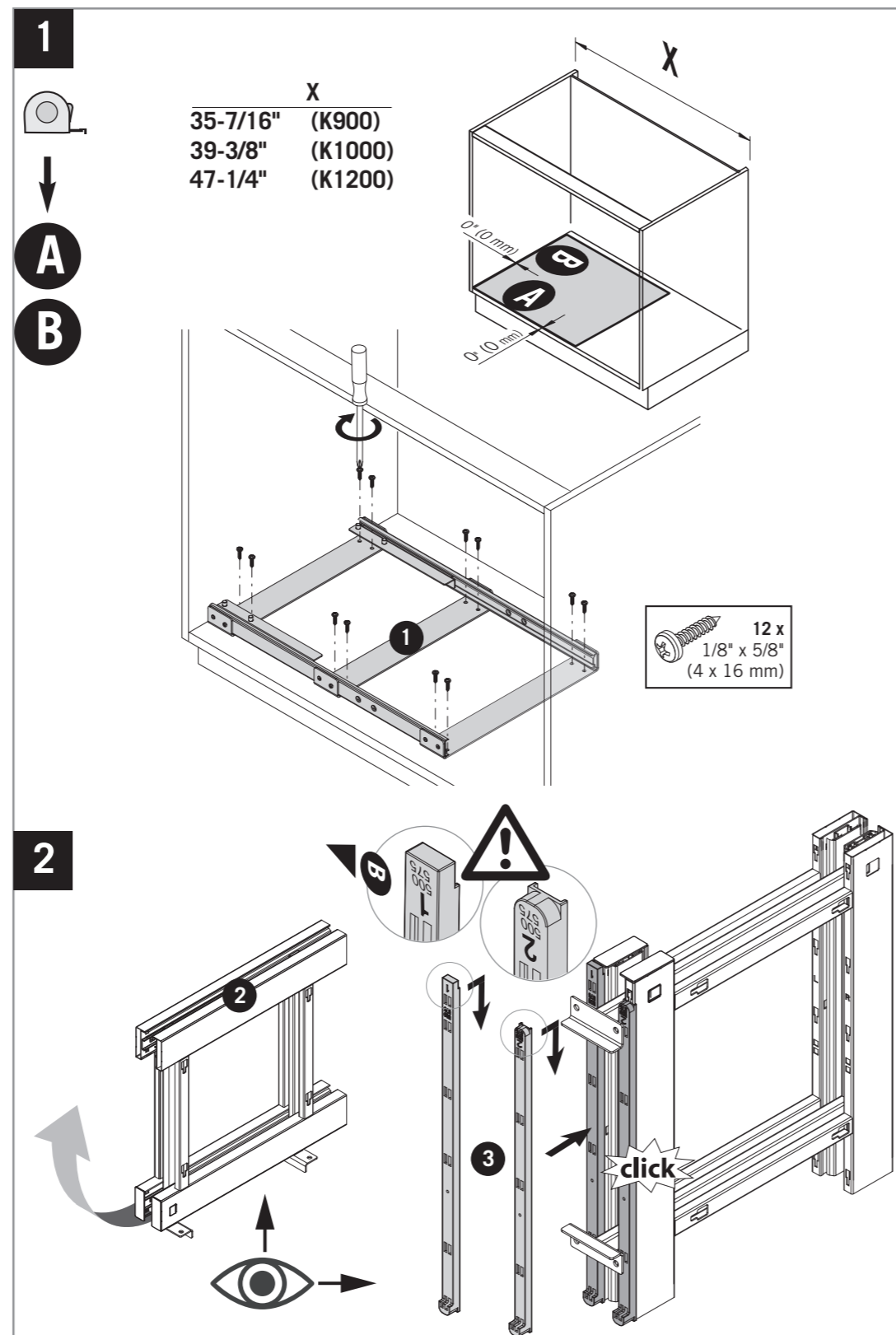
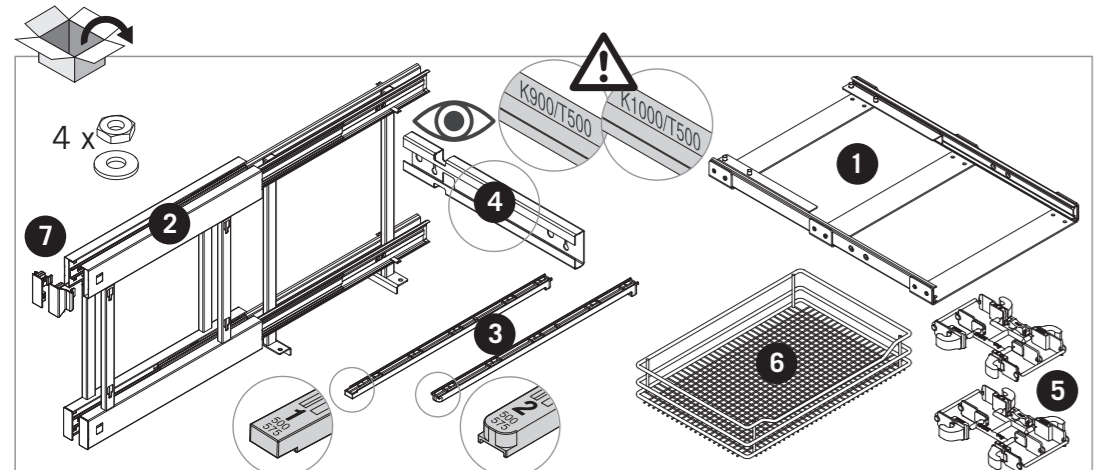
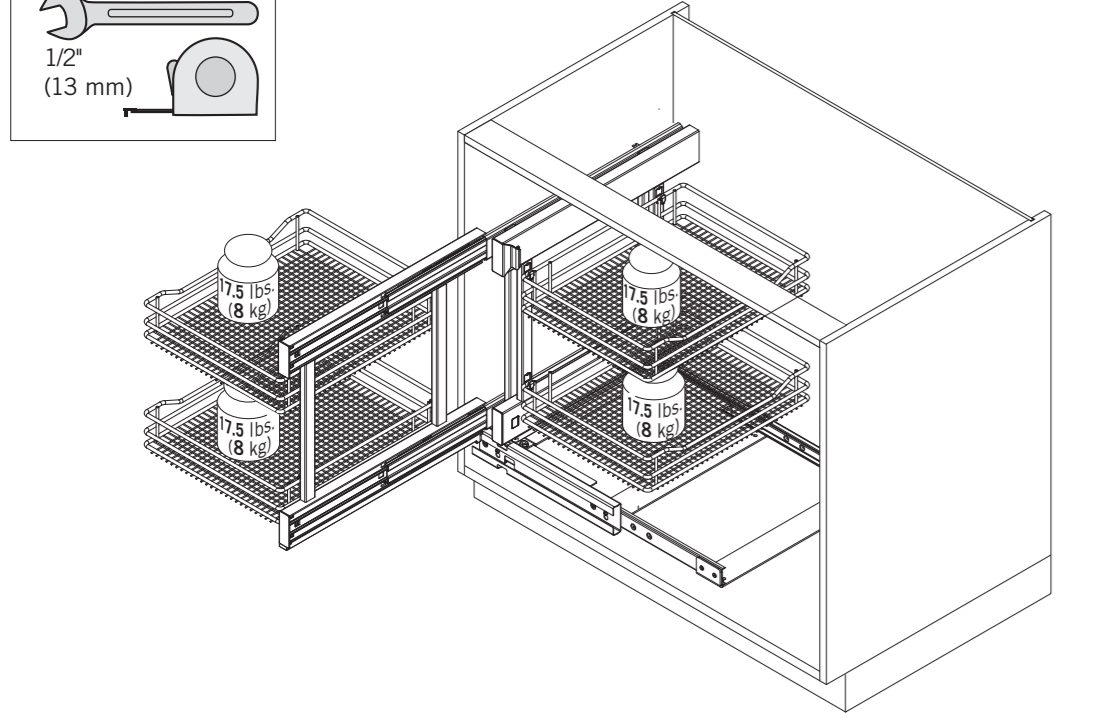
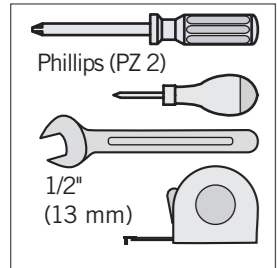


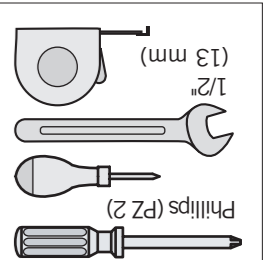
# VS COR® Flex



# VS COR® Flex L



# VS COR® Flex R



Vauth-Sagel USA/LP  
Address 1821 Baker Road  
High Point, NC 27263  
Phone +1 336 861 0740  
Toll free +1 855 770 9121  
Fax +1 336 861 0741  
Email support@vauth-sagel-usa.com  
Web www.vauth-sagel-usa.com

Vauth-Sagel USA/LP  
Address 1821 Baker Road  
High Point, NC 27263  
Phone +1 336 861 0740  
Toll free +1 855 770 9121  
Fax +1 336 861 0741  
Email support@vauth-sagel-usa.com  
Web www.vauth-sagel-usa.com

10/2020  
44012136\_02