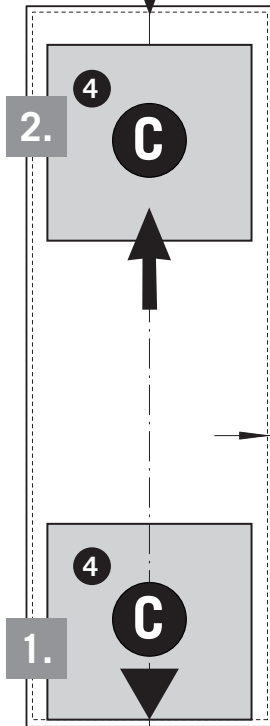
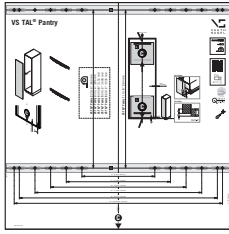


3

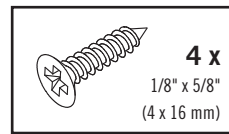
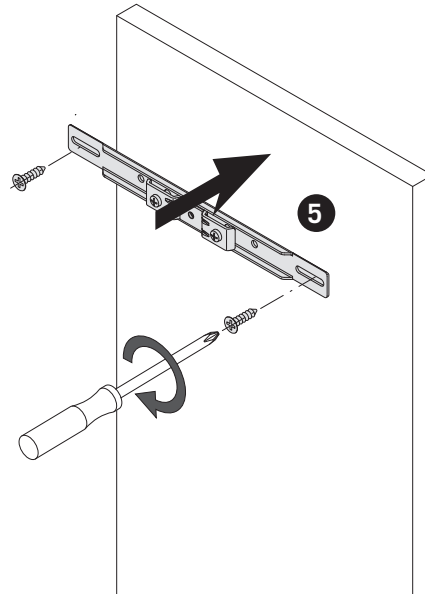
C



4

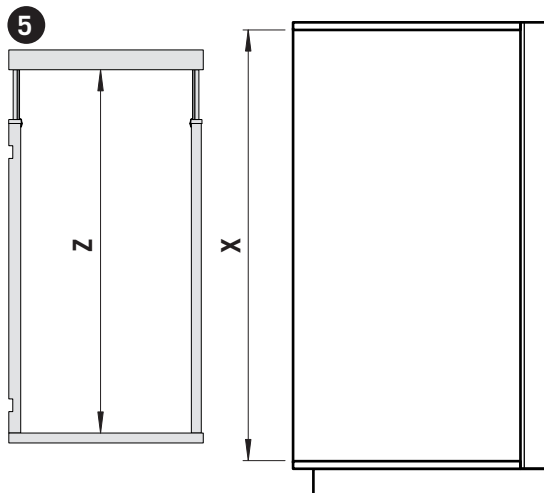


Door overlay X

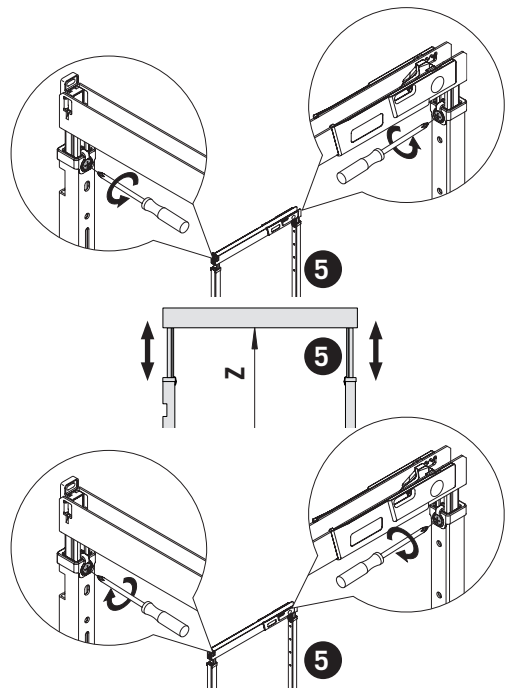


4

Adjust the internal height of frame!



$Z = X - 5\text{-}1/2''$
($Z = X - 139\text{ mm}$)
Z = internal height of frame
X = internal height of cabinet



Tighten the screws!

5

