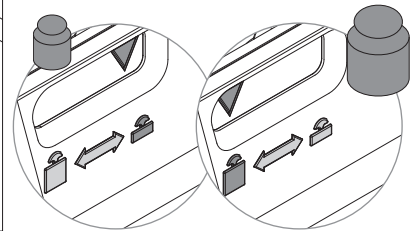
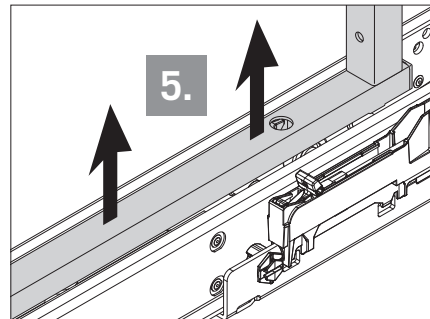
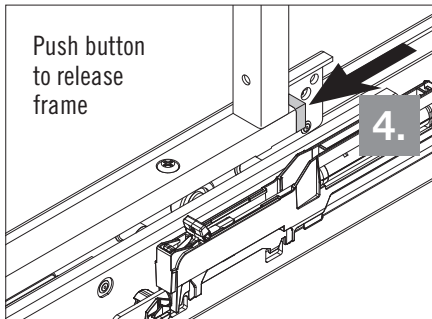
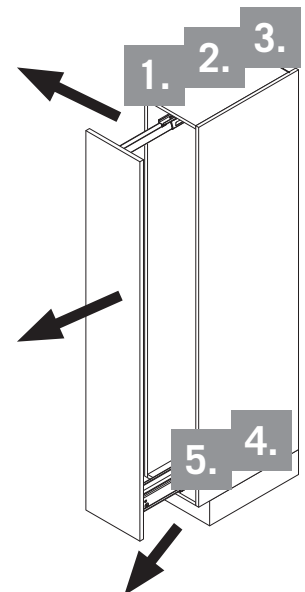
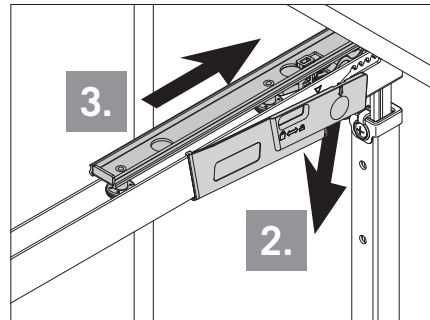
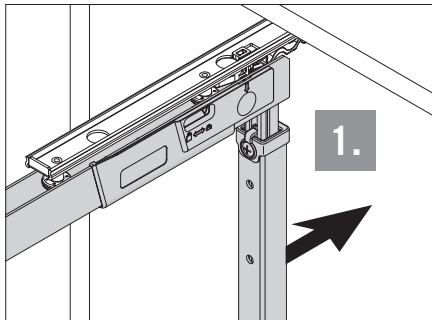


Carefully pull down locking mechanism and adjust to weight of pay load



For removal



Vauth-Sagel USA LP

Address 1821 Baker Road

High Point, NC 27263

Phone +1 336 861 0740

Toll free +1 855 770 9121

Fax +1 336 861 0741

Email support@vauth-sagel-usa.com

Web www.vauth-sagel-usa.com