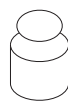
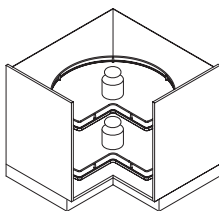
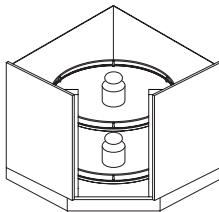
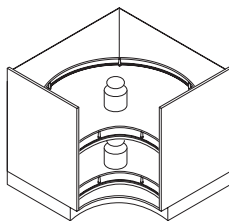
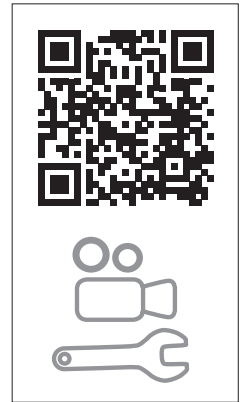
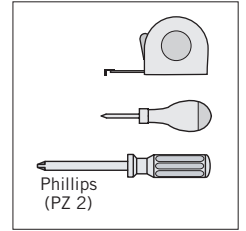
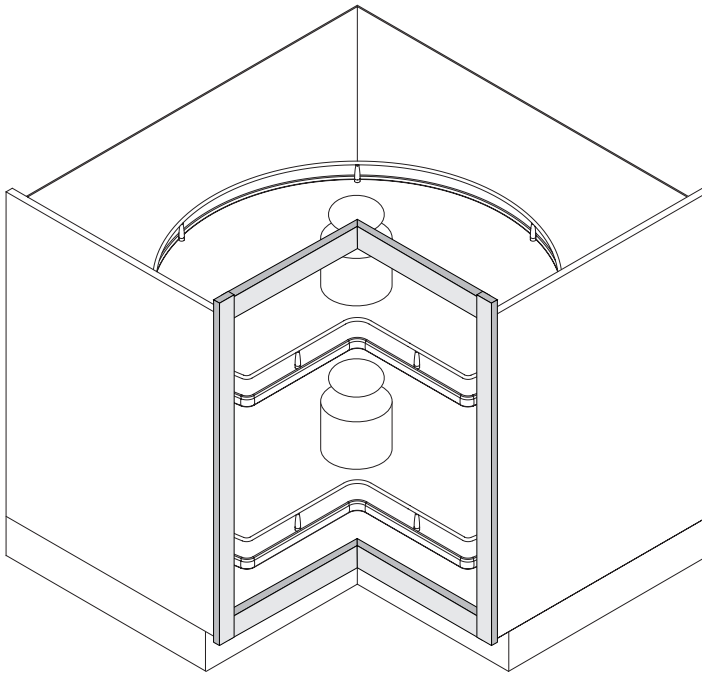


VS COR® Wheel Pro



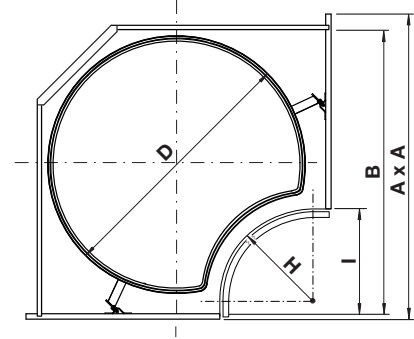
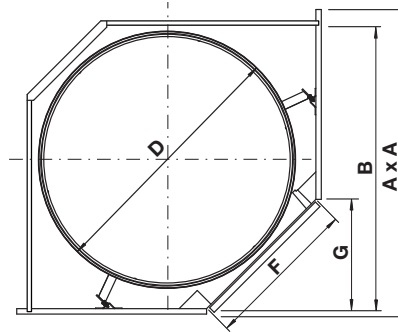
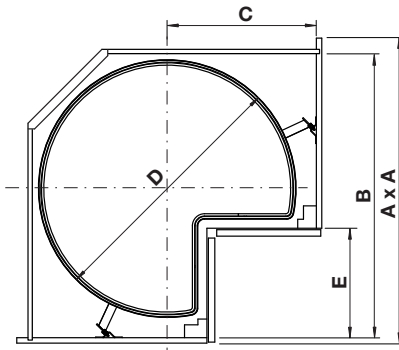
A x A




- 23-5/8" (600 x 600)
- 25-5/8" (650 x 650)
- 31-1/2" (800 x 800)
- 35-7/16" (900 x 900)

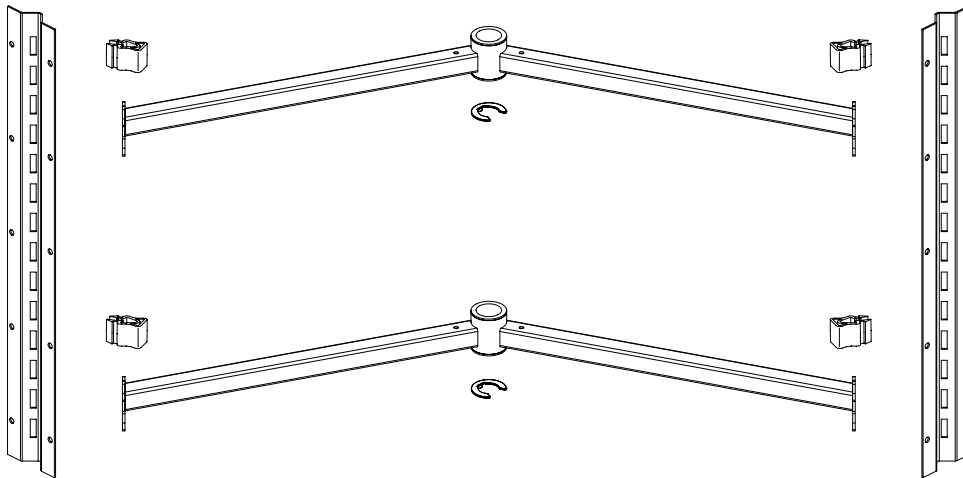
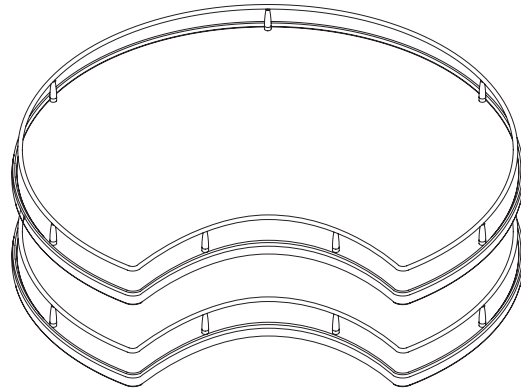
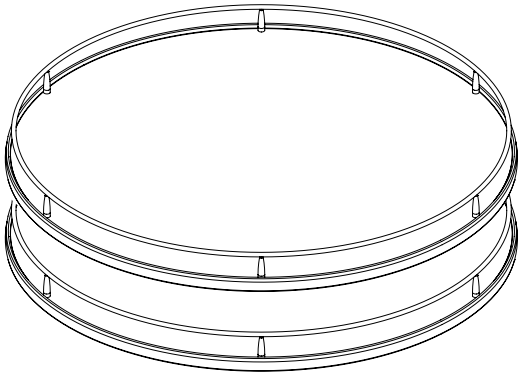
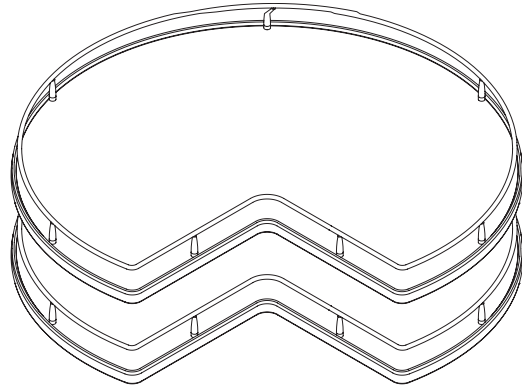
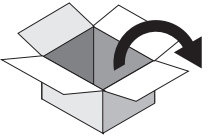
lbs.

- 26.4 (12 kg)
- 26.4 (12 kg)
- 60.6 (27.5 kg)
- 60.6 (27.5 kg)

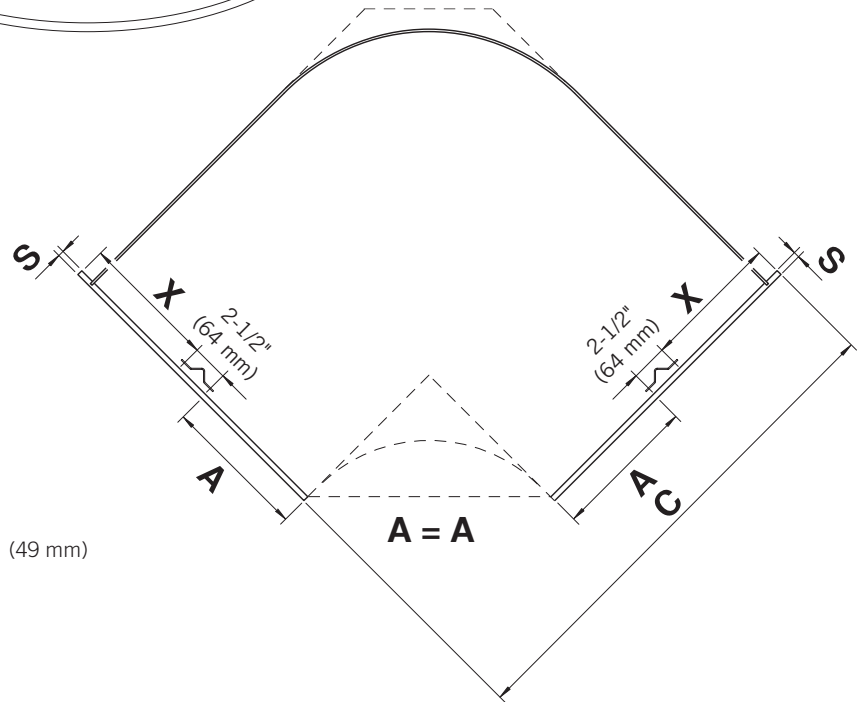
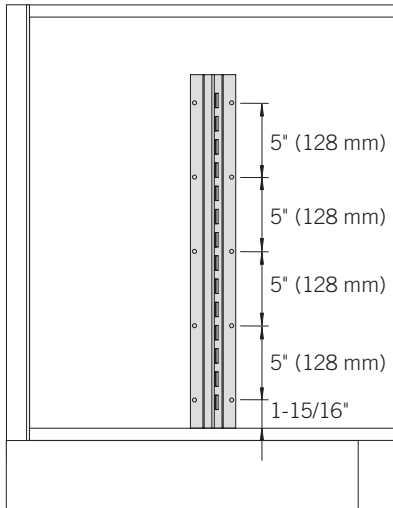
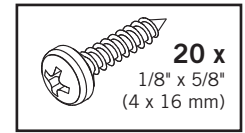
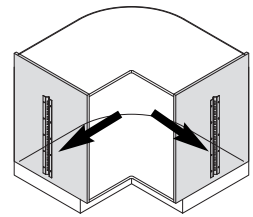
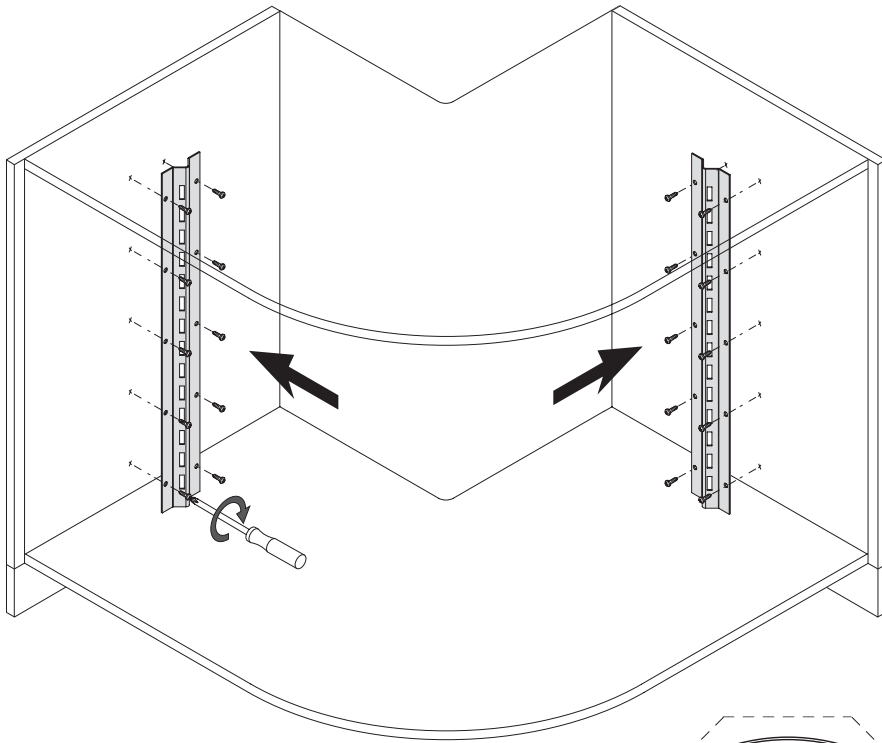
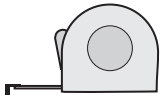
Cabinet dimensions



A x A	B	C	D				E	F	G	H	I
23-5/8" (600 x 600 mm)	> 21-7/8" (> 555 mm)	12-3/16" (310 mm)	18-1/8" (460 mm)	< 11-1/8" (< 282 mm)	< 15-11/16" (< 399 mm)	< 11-1/8" (< 282 mm)	< 11-1/8" (< 282 mm)	< 15-11/16" (< 399 mm)	< 11-1/8" (< 282 mm)	> R8-1/4" (> R210 mm)	< 11-1/8" (< 282 mm)
23-5/8" (600 x 600 mm)	> 22-1/4" (> 565 mm)	12-3/16" (310 mm)	18-7/8" (480 mm)	< 10-7/16" (< 265 mm)	< 14-7/16" (< 367 mm)	< 10-3/16" (< 259 mm)	< 10-7/16" (< 265 mm)	< 14-7/16" (< 367 mm)	< 10-3/16" (< 259 mm)	> R12-5/8" (> R320 mm)	< 11-3/16" (< 284 mm)
25-5/8" (650 x 650 mm)	> 24-1/4" (> 615 mm)	14-3/16" (360 mm)	18-7/8" (480 mm)	< 12-3/8" (< 315 mm)	< 20" (< 508 mm)	< 14-1/8" (< 359 mm)	< 12-3/8" (< 315 mm)	< 20" (< 508 mm)	< 14-1/8" (< 359 mm)		
31-1/2" (800 x 800 mm)	> 29-3/8" (> 745 mm)	15-3/8" (390 mm)	26-3/4" (680 mm)	< 9-1/4" (< 235 mm)	< 15-1/2" (< 393 mm)	< 10-15/16" (< 278 mm)	< 9-1/4" (< 235 mm)	< 15-1/2" (< 393 mm)	< 10-15/16" (< 278 mm)		
35-7/16" (900 x 900 mm)	> 32-1/16" (> 815 mm)	17-5/16" (440 mm)	28-3/8" (720 mm)	< 12-11/16" (< 322 mm)	< 19-7/16" (< 494 mm)	< 13-3/4" (< 350 mm)	< 12-11/16" (< 322 mm)	< 19-7/16" (< 494 mm)	< 13-3/4" (< 350 mm)	> R9-7/8" (> R250 mm)	< 12-11/16" (< 322 mm)
35-7/16" (900 x 900 mm)	> 32-7/8" (> 835)	17-5/16" (440 mm)	29-15/16" (760 mm)	< 13-3/16" (< 335 mm)	< 17-7/8" (< 455 mm)	< 12-5/8" (< 321 mm)	< 13-3/16" (< 335 mm)	< 17-7/8" (< 455 mm)	< 12-5/8" (< 321 mm)	> R12-11/16" (> R322 mm)	< 12-11/16" (< 322 mm)

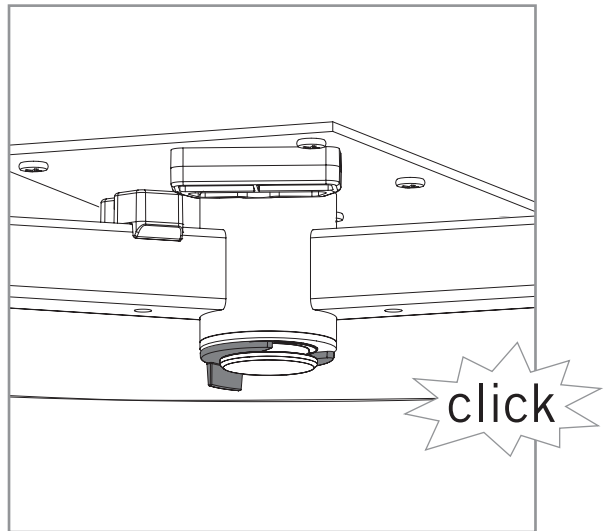
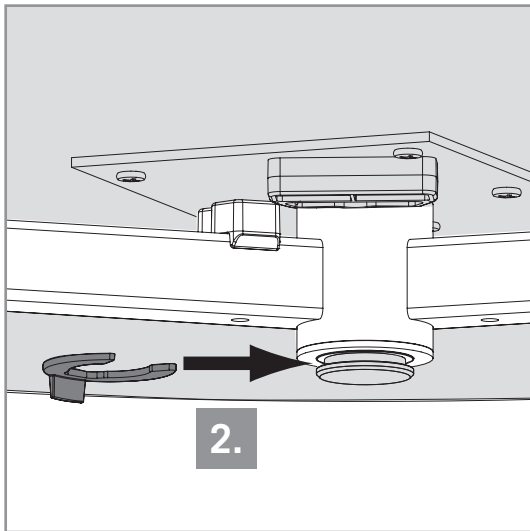
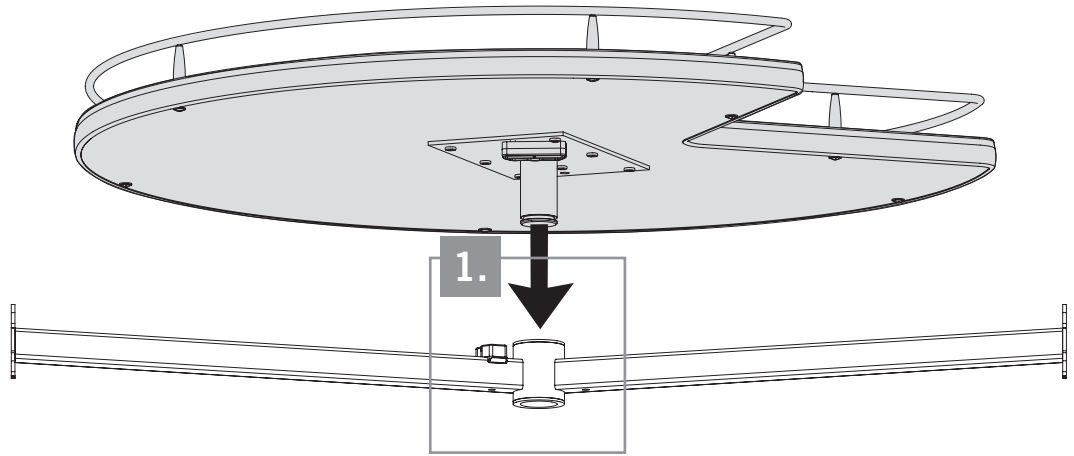


1

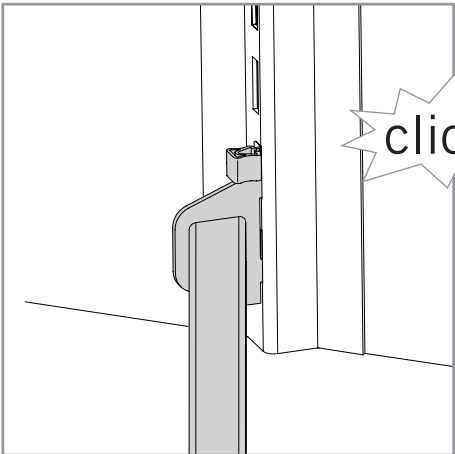
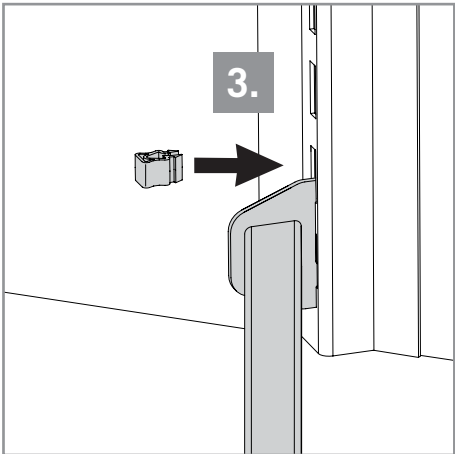
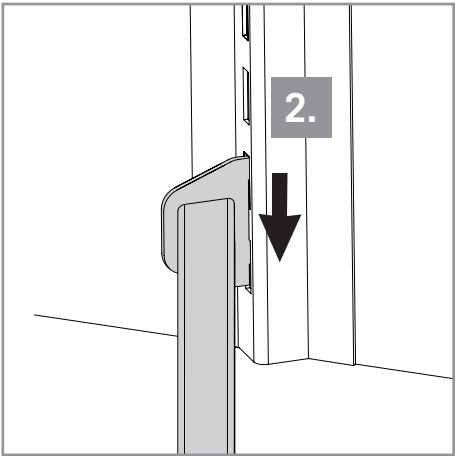
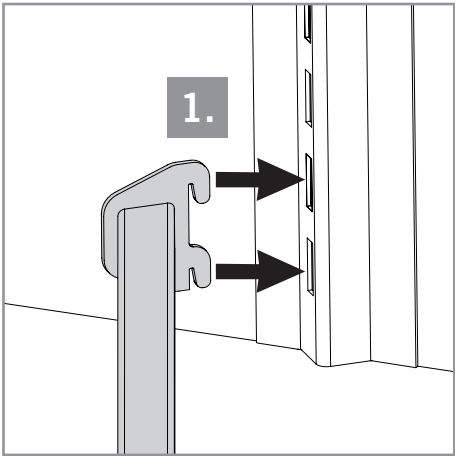
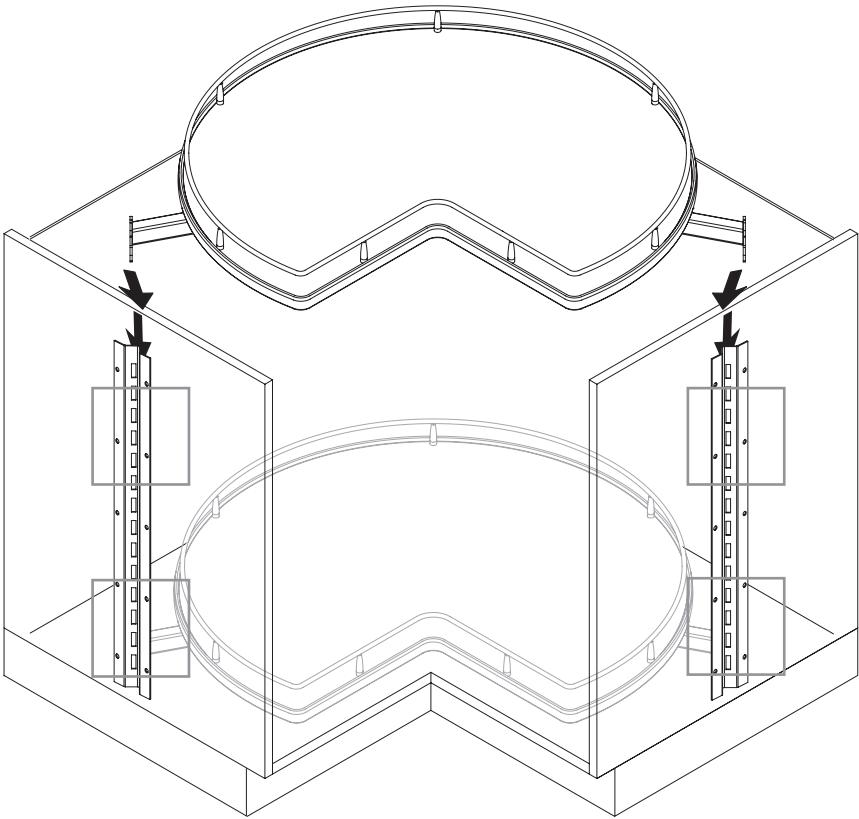


C	X				
	S = 5/8" (16 mm)	S = 11/16" (17 mm)	S = 11/16" (18 mm)	S = 3/4" (19 mm)	S = 3/4" (20 mm)
23-5/8" (600 x 600 mm)	5-3/16" (131 mm)	5-1/8" (130 mm)	5-13/16" (129 mm)	5-3/8" (128 mm)	5" (127 mm)
25-5/8" (650 x 650 mm)	4-3/16" (107 mm)	4-3/16" (106 mm)	4-1/8" (105 mm)	4-1/8" (104 mm)	4-1/16" (103 mm)
31-1/2" (800 x 800 mm)	8-3/8" (213 mm)	8-3/8" (212 mm)	8-5/16" (211 mm)	8-1/4" (210 mm)	8-1/4" (209 mm)
35-7/16" (900 x 900 mm)	9-7/16" (240 mm)	9-7/16" (239 mm)	9-3/8" (238 mm)	9-3/8" (237 mm)	9-5/16" (236 mm)

2



3



Vauth-Sagel USA LP

Address 1821 Baker Road
High Point, NC 27263

Phone +1 336 861 0740
Toll free +1 855 770 9121
Fax +1 336 861 0741

Email support@vauth-sagel-usa.com
Web www.vauth-sagel-usa.com