

MAPLE STREET Downlight (8-3/4" H)

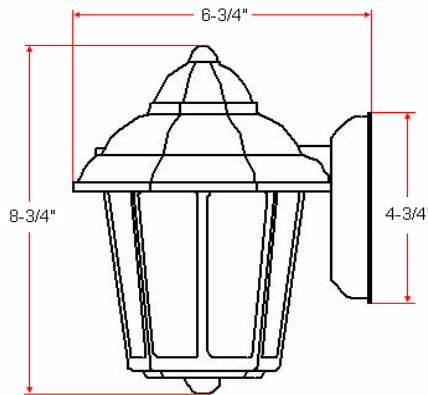


Specifications

Material Construction:	Die Cast Aluminum
Lens:	Beveled glass
Lamp Type & Wattage:	One 60W, medium base incandescent lamp
Mounting:	Wall mounted
Finish:	Wash Copper/Black/White
Voltage:	120V
Weight:	1.43 lbs
Companion Fixtures:	Post Light, Uplight and Downlight



Dimensions



Warranty & Compliances

Warranty	10 Year Limited Warranty
UL	UL/cUL; Suitable for damp locations
ADA	N/A
EnergyStar	N/A



Companion Fixtures

	Wash Copper	Black	White
Downlight (8-3/4" H)	511501	507475	507483
Post Light		507509	
Uplight	511485	507566	507574
Downlight (17" H)	511469	507541	507558

Type:

Job:

Order Code:

Approvals: