
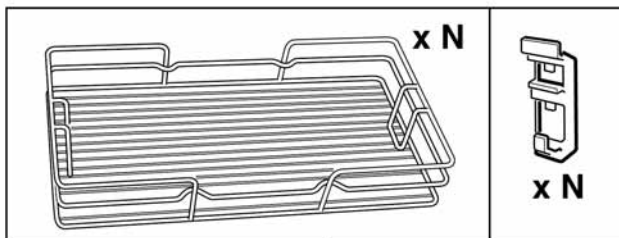


 x 11 **6** **10**

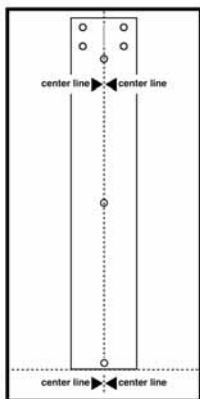
 x 2 **11**

 x 2 **21**

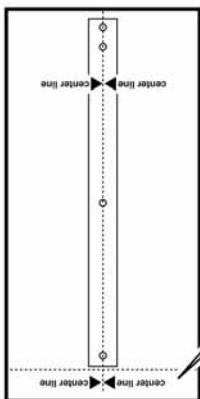


 x N **18**

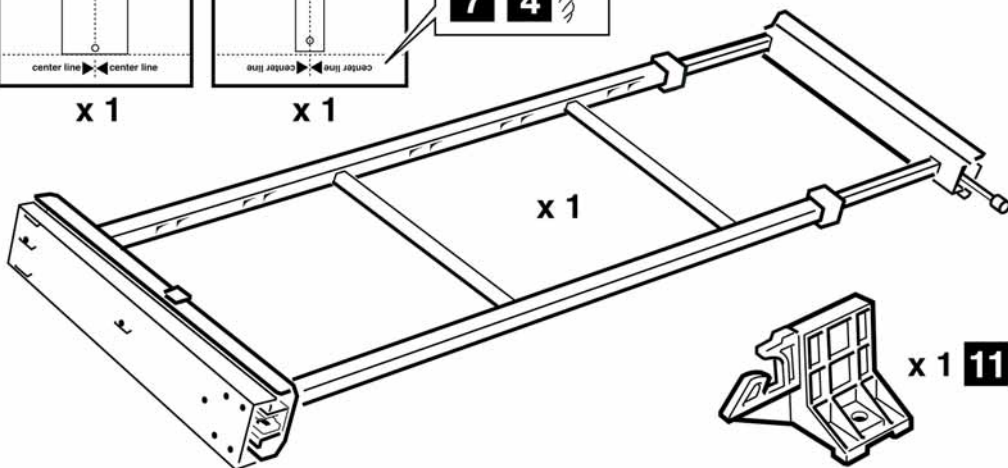
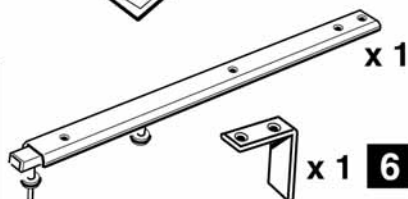
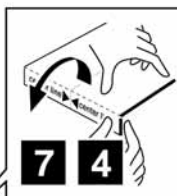
 x N **18** **24**


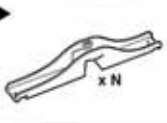






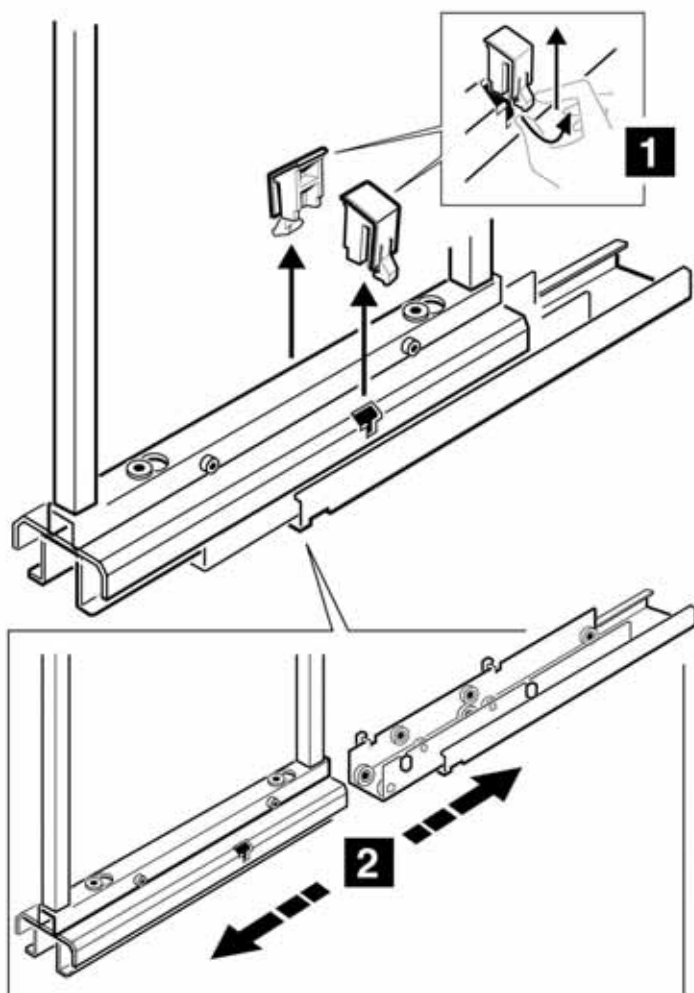
x 1

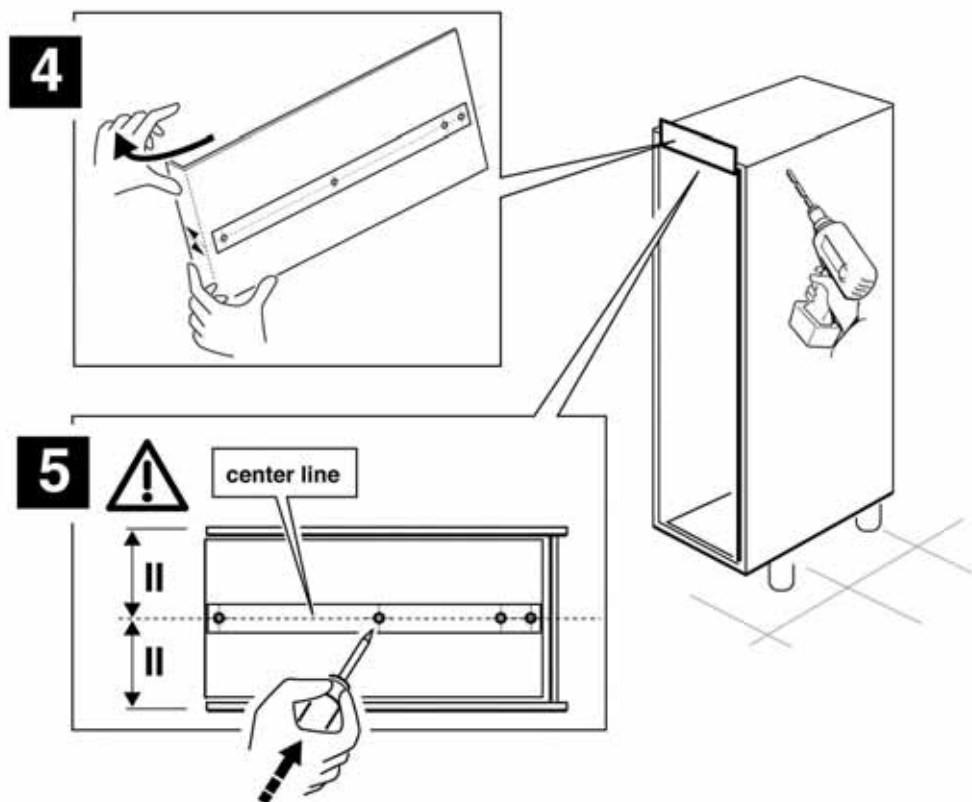
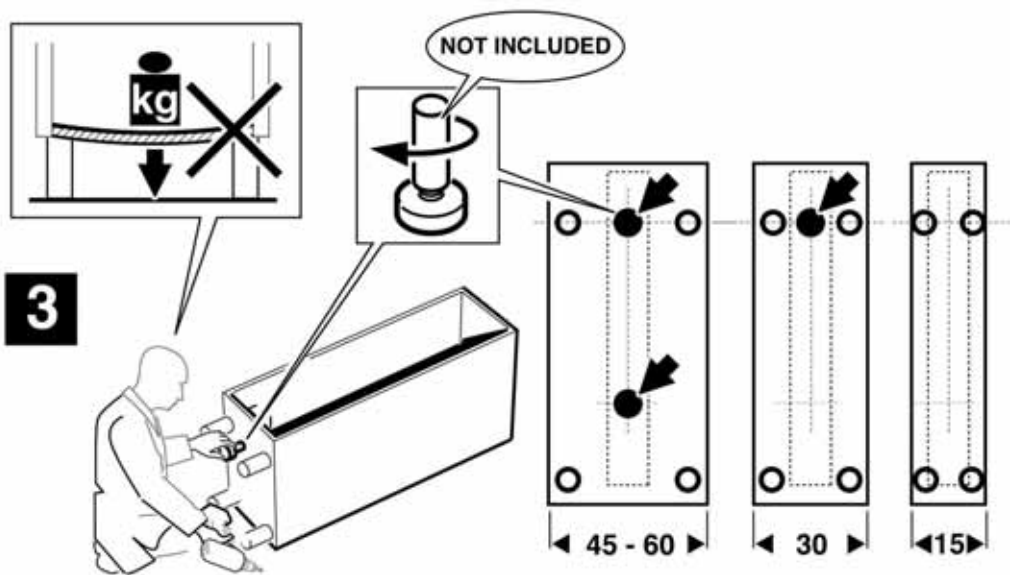


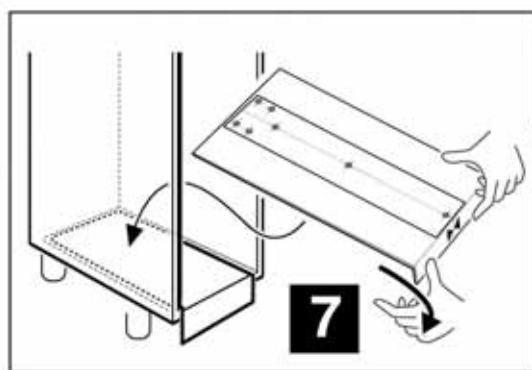
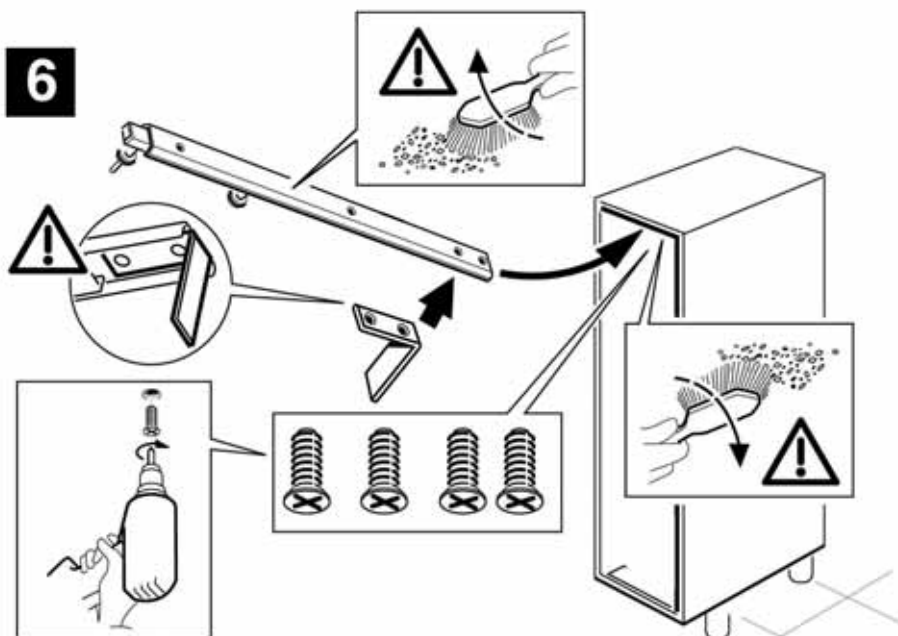
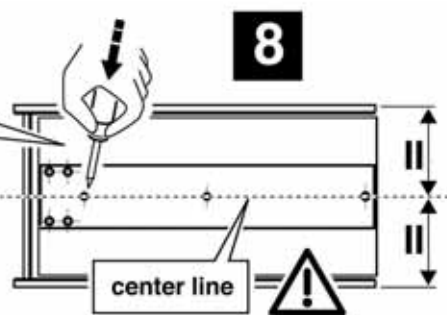
x 1



	 x N	 x N	 x N	 x N	 x N
521	2	4	5	3	6
523	2	4	5	4	8
524	2	4	5	4	8
525	3	6	7	5	10
526	4	8	9	5	10
527	4	8	9	6	12



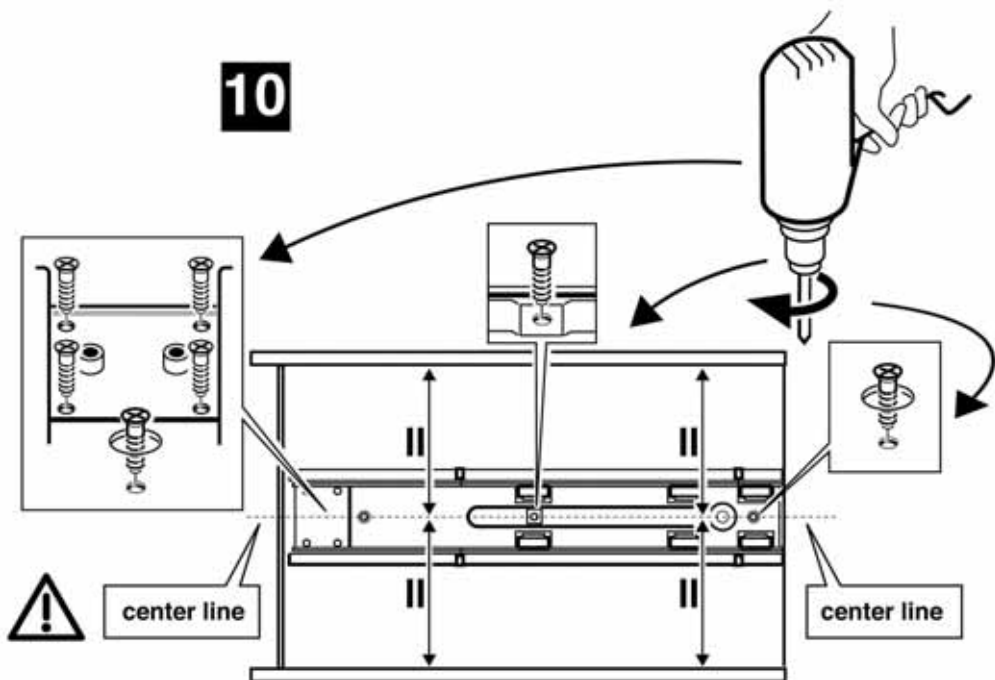


6**7****8**

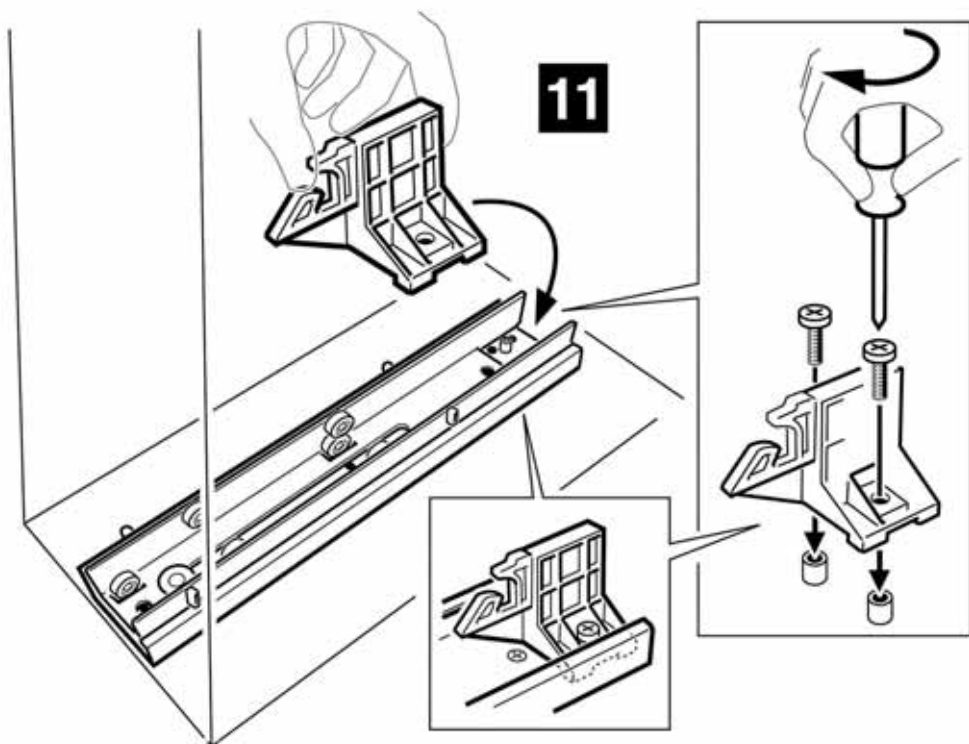
center line

**9**

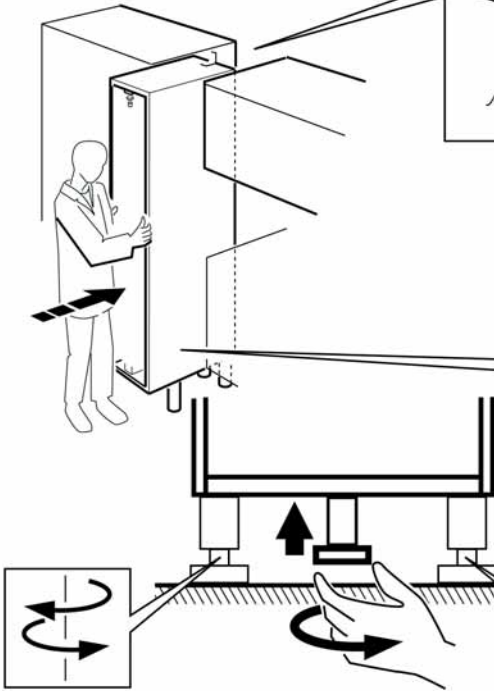
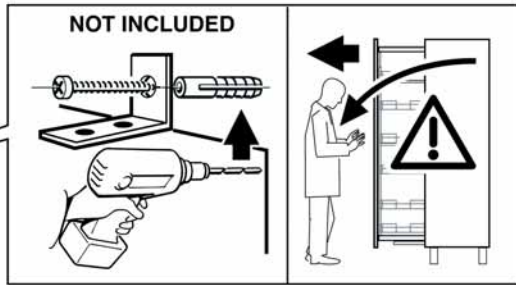
10



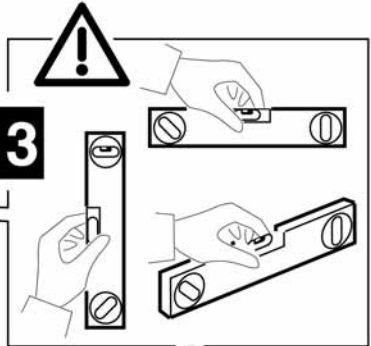
11



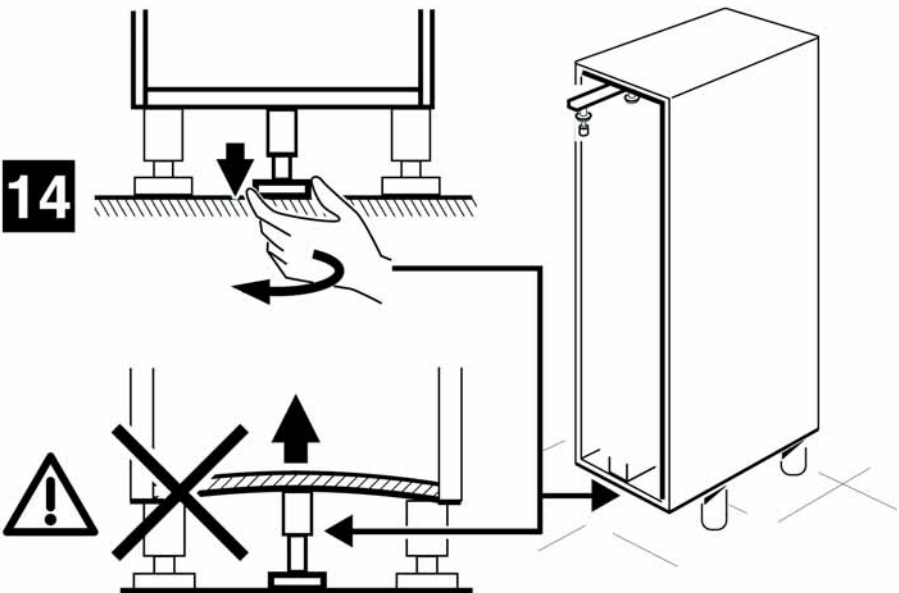
12



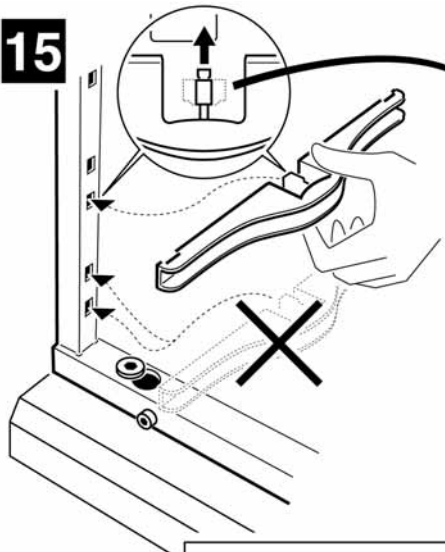
13



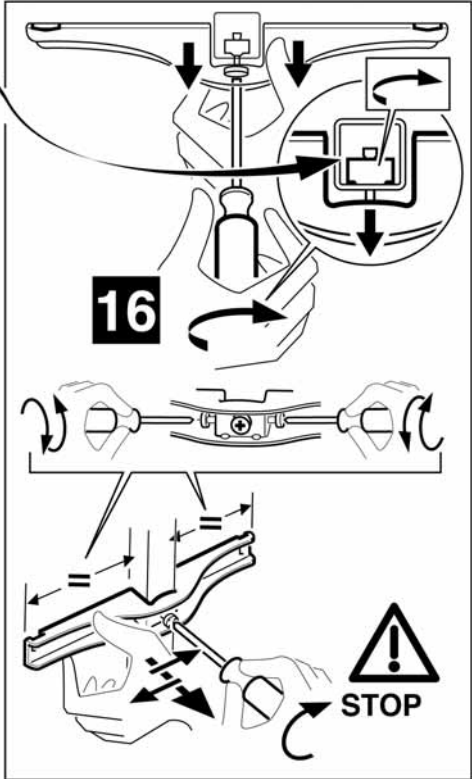
14



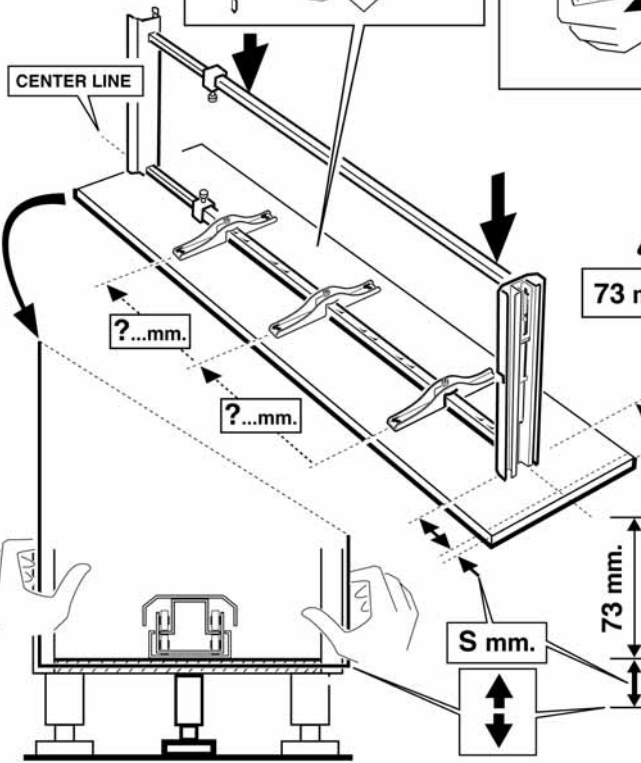
15



16



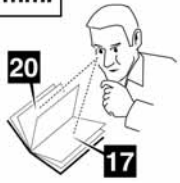
CENTER LINE



73 mm. + S mm.

?...mm.

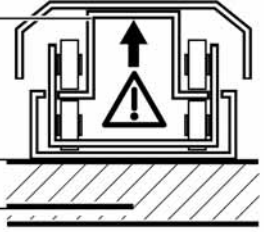
?...mm.

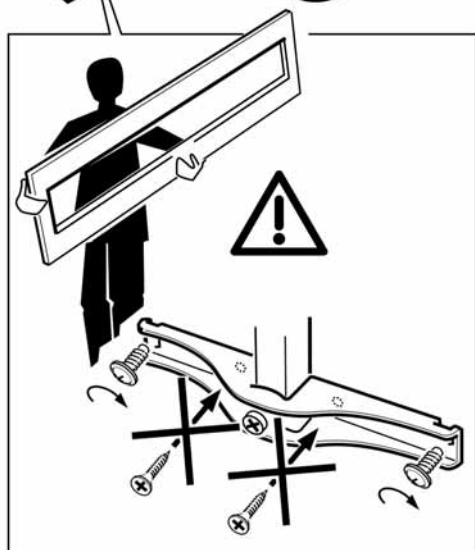
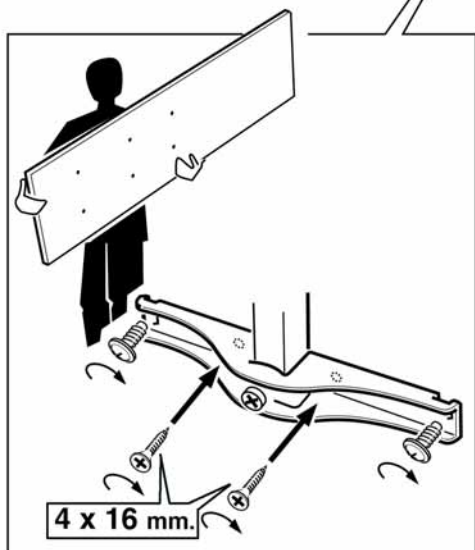
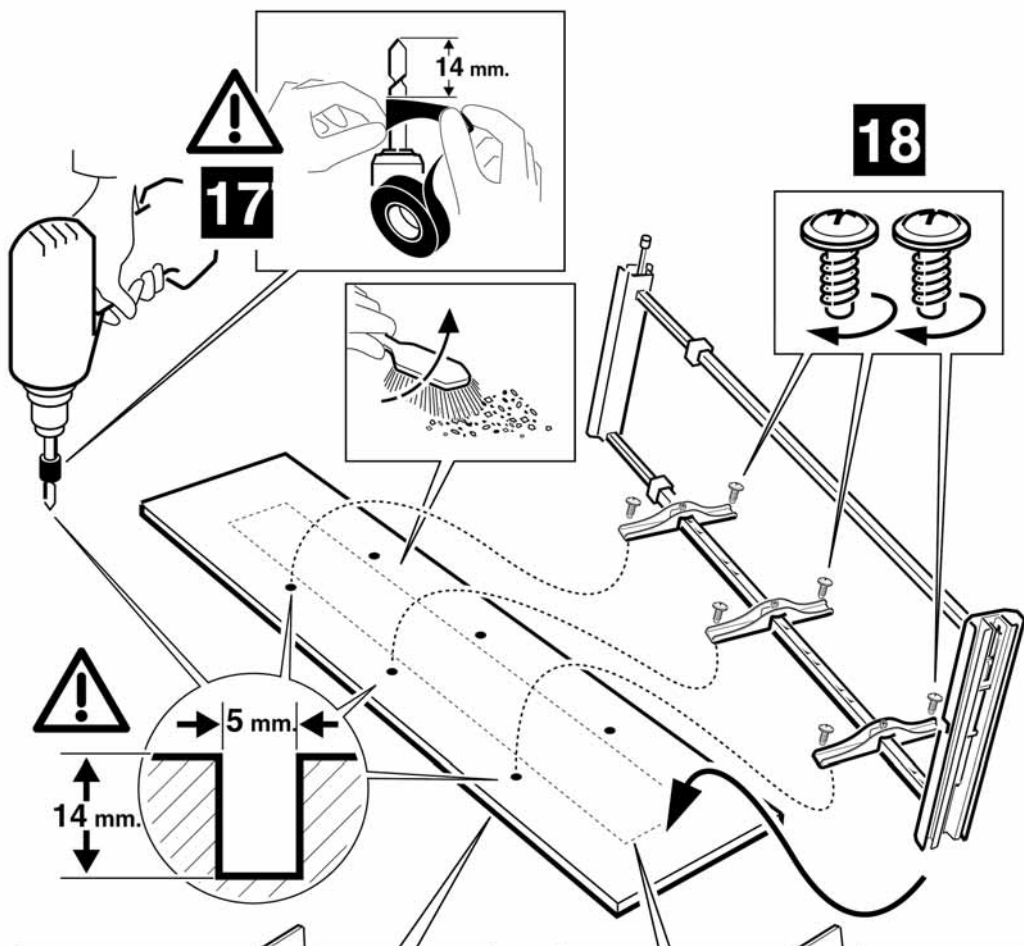


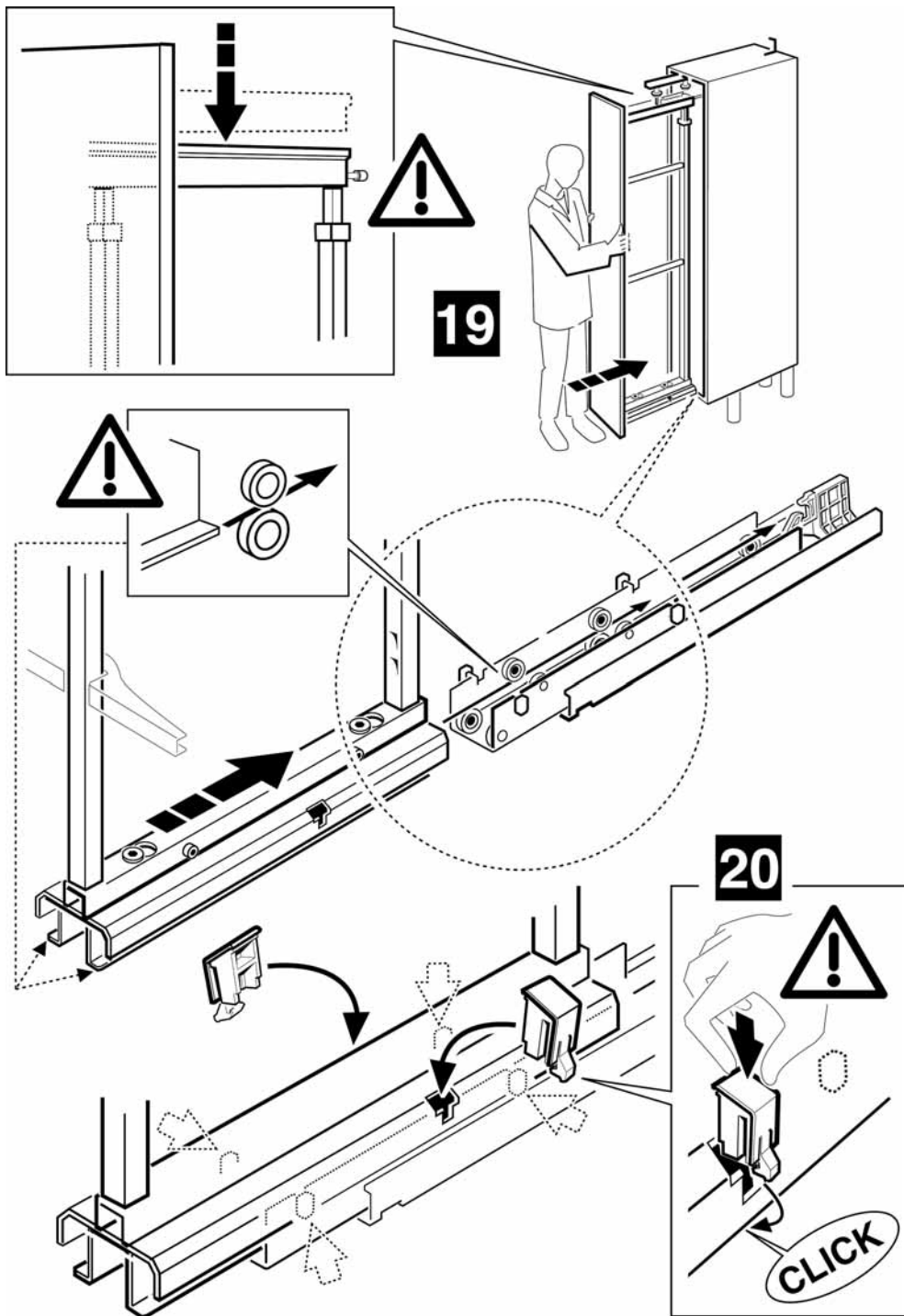
STOP

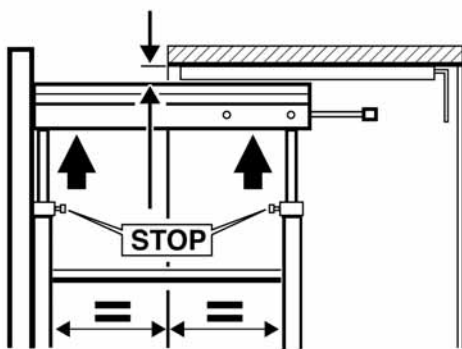
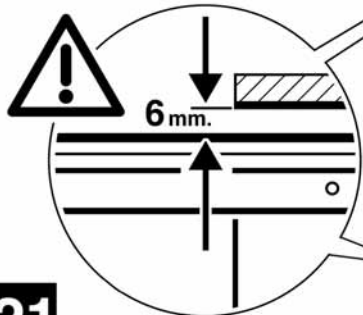
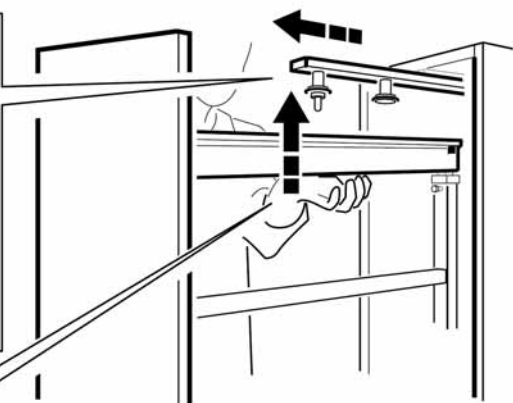
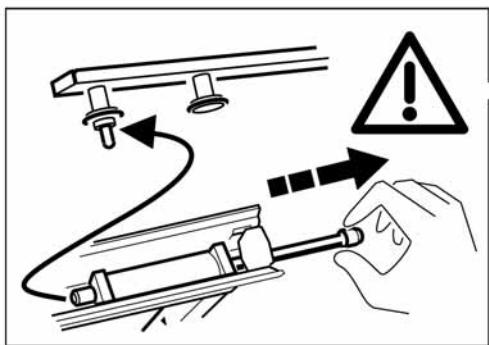
S mm.

73 mm.

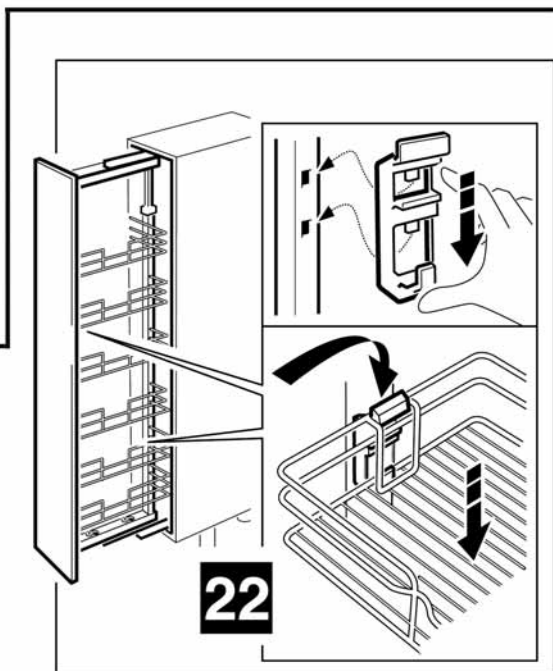
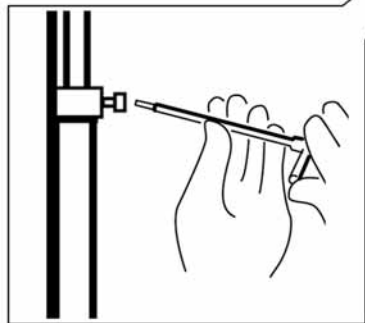








21



22

