

Ashland High Arch Kitchen Faucet

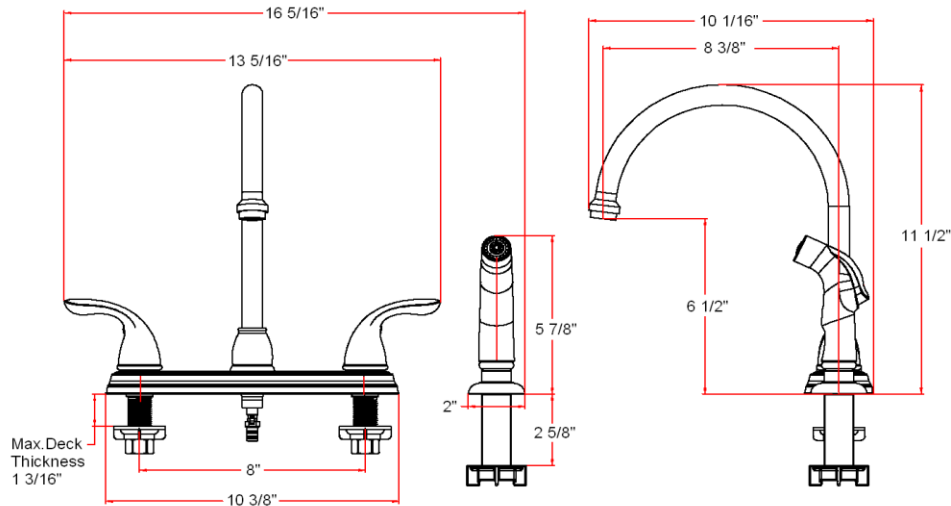


Specifications

Flow Rate (GPM)	1.9 GPM @ 60 psi
Material Content	AB1953 platform hybrid body with zinc handle
Pop-Up Drain	N/A
Spout Reach	8-3/8"
Cartridge	Ceramic disk
Lever Handle Operation	(1/4) quarter turn stop
Installation Type	3-hole, 8" center mount
Sprayer	ABS side pull-out sprayer (48" soft hose)
Coupling nuts	Brass coupling nuts included



Dimensions



Warranty & Compliances

Warranty	Lifetime Limited Warranty
IAPMO/UPC	UPC & cUPC Compliant
ASME	ASME A112.18.1-05
ANSI	Compliant
ADA	Compliant
NSF	Compliant
Lead Free	Fed. Public Law 111-380 (1/2014)



Order Codes & Finishes/Colors

Polished Chrome (US26)	525071	
Satin Nickel (US15)	525089	
Oil Rubbed Bronze (US10B)	525097	

Type:

Job:

Order Code:

Approvals:

Design House reserves the right to make changes in materials, specifications & models at any time. Design House also reserves the right to discontinue product without notice or obligation.