

# Ventura Tri-View Medicine Cabinet

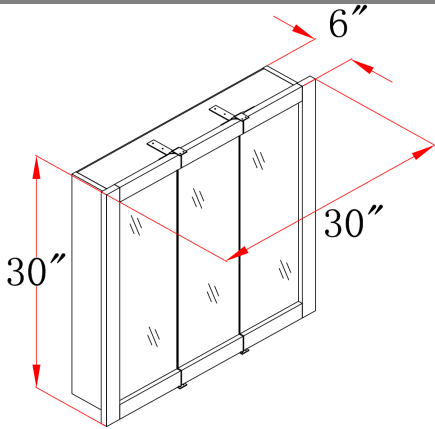


## Specifications

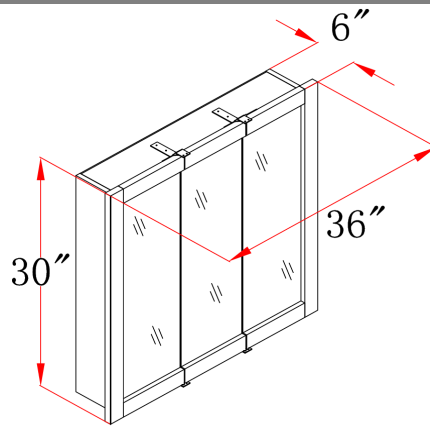
- Solid wood mirror frame
- Particle board side panels
- Satin nickel hardware
- 3 doors, 2 shelves
- Surface mount
- Stationary shelves



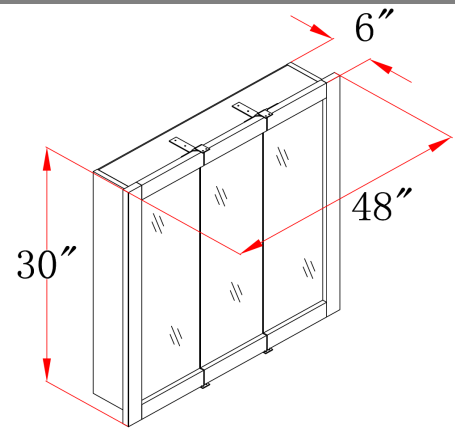
## Dimensions



541342



541359



541367

## Warranty & Compliances

**Warranty** Limited 1 year warranty  
**California 93120** Compliant



## Order Codes & Finishes/Colors

### Fully Assembled

30" w x 6" d x 30" h	541342
36" w x 6" d x 30" h	541359
48" w x 6" d x 30" h	541367

Type:  
Job:  
Order Code:  
Approvals:

Design House reserves the right to make changes in materials, specifications & models at any time. Design House also reserves the right to discontinue product without notice or obligation.