

Wyndham 1 Door 2 Drawer Vanity



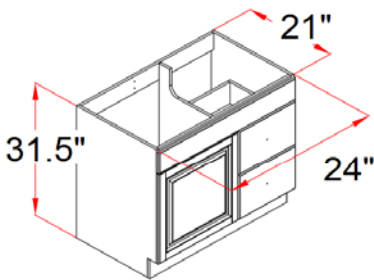
Specifications

- Durable white thermofoil finish with satin nickel hardware
- Cam lock connection, frameless design
- California 93120 CARB P2 compliant
- Ready to assembly construction
- Square raised door
- Durable white thermofoil door and drawer front
- Particle board with white PVC inside and outside side panels
- 1 Door 2 drawer 1 fake drawer design
- Door and drawer reversible during assembly
- Adjustable and concealable hinge, easy glide drawer glides
- Satin Nickel hardware with TruMatch finish

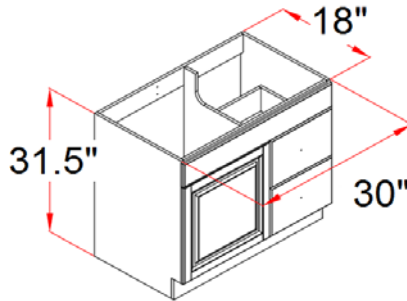


Vanity top and faucet sold separately

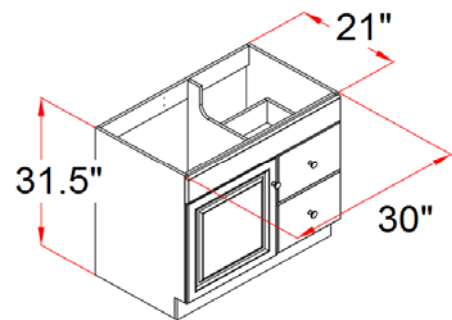
Dimensions



545053



545061



545079

Warranty & Compliances

- Warranty** Limited 1 year warranty
- California 93120** CARB P2 compliant



Order Codes & Finishes/Colors

- 24" w x 21" d x 31.5" h 545053
- 30" w x 18" d x 31.5" h 545061
- 30" w x 21" d x 31.5" h 545079

Type: Job: Order Code: Approvals:
--

Design House reserves the right to make changes in materials, specifications & models at any time. Design House also reserves the right to discontinue product without notice or obligation.