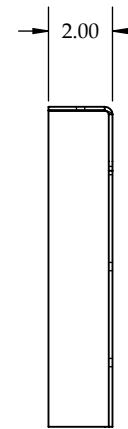
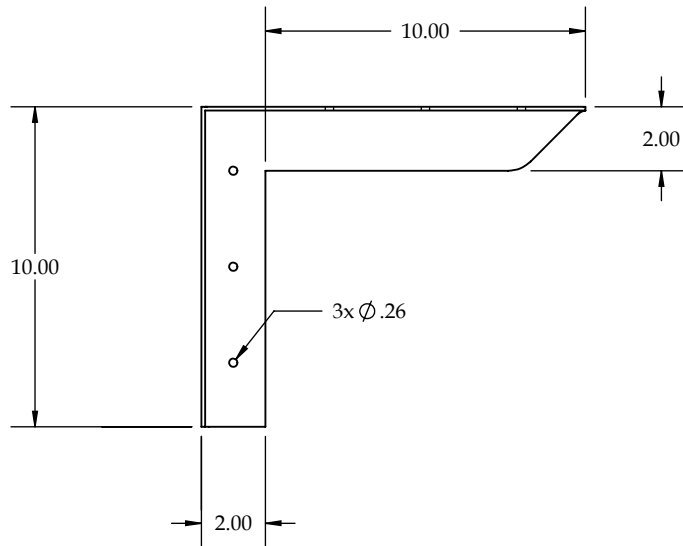
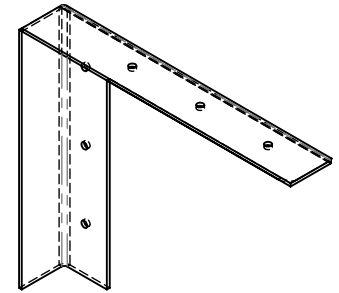
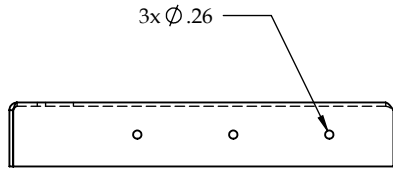


CG-Carolina
SKU: FB-01853

Material: 11 GA CRS
Finish: Flat White

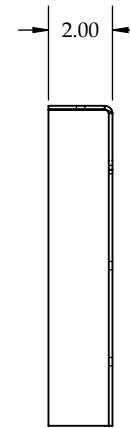
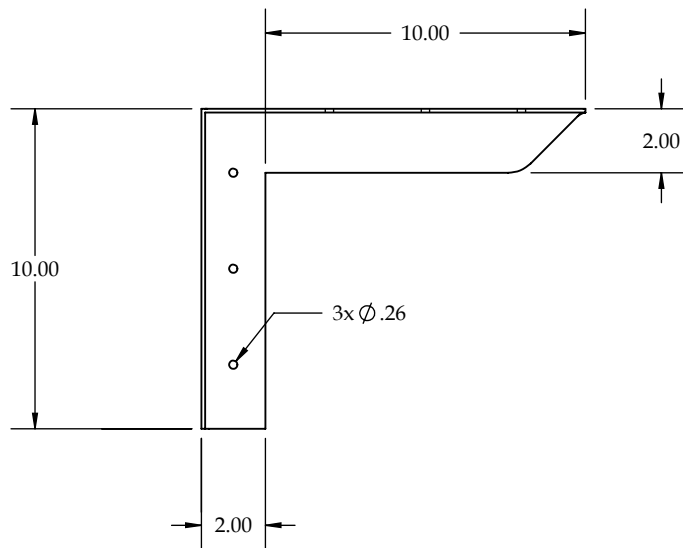
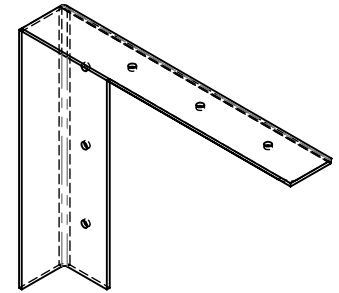
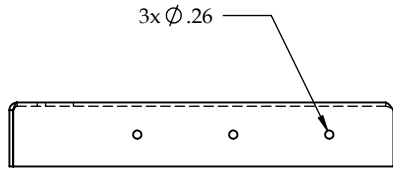
This drawing and information contained herein is the property of Federal Brace. It shall not be reproduced in whole or in part, disclosed to anyone else or used without the written permission of Federal Brace. An independent engineering firm should be consulted to verify use and loading.



CG-Carolina
SKU: FB-01843

Material: 11 GA CRS
Finish: Grey

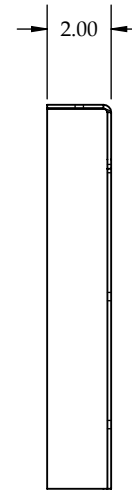
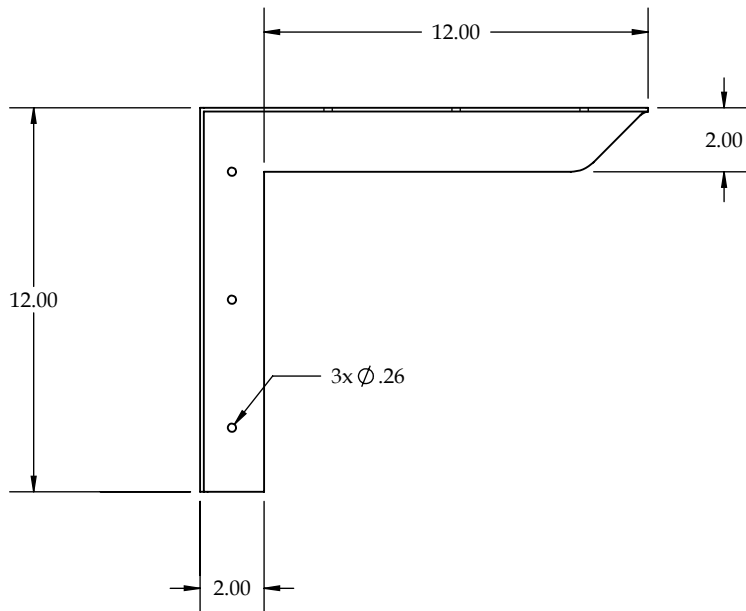
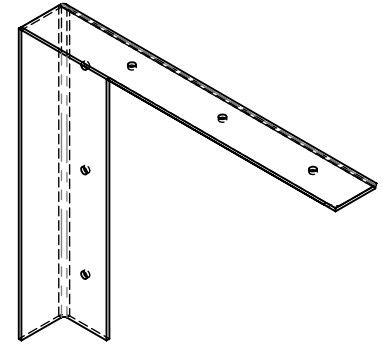
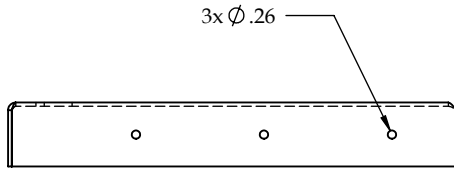
This drawing and information contained herein is the property of Federal Brace. It shall not be reproduced in whole or in part, disclosed to anyone else or used without the written permission of Federal Brace. An independent engineering firm should be consulted to verify use and loading.



CG-Carolina
SKU: FB-01844

Material: 11 GA CRS
Finish: Flat Black

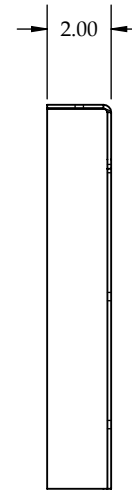
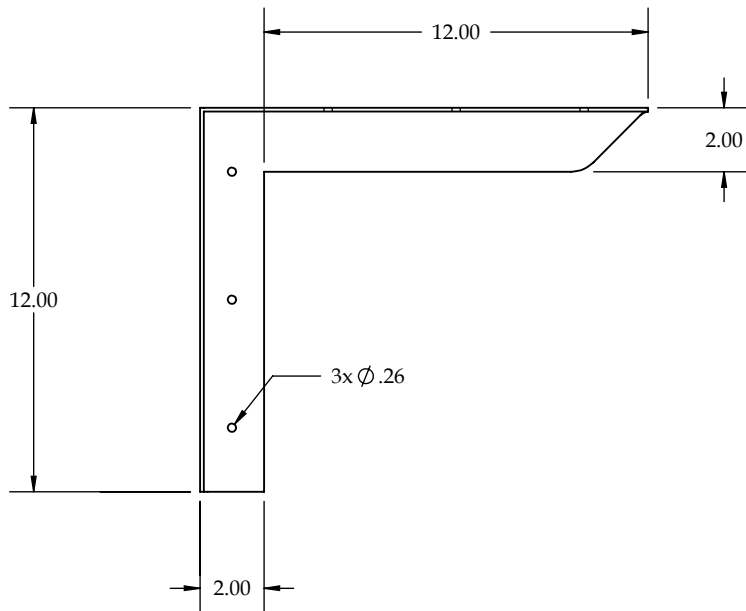
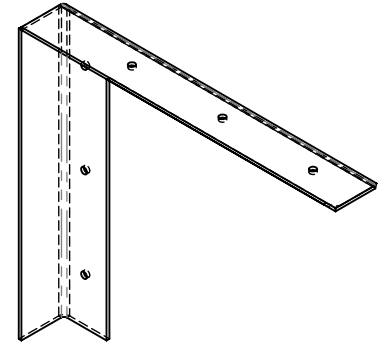
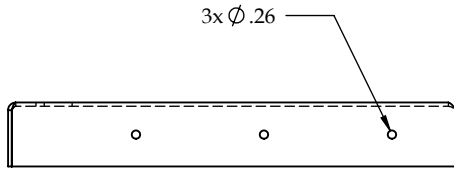
This drawing and information contained herein is the property of Federal Brace. It shall not be reproduced in whole or in part, disclosed to anyone else or used without the written permission of Federal Brace. An independent engineering firm should be consulted to verify use and loading.



CG-Carolina
SKU: FB-01845

Material: 11 GA CRS
Finish: Grey

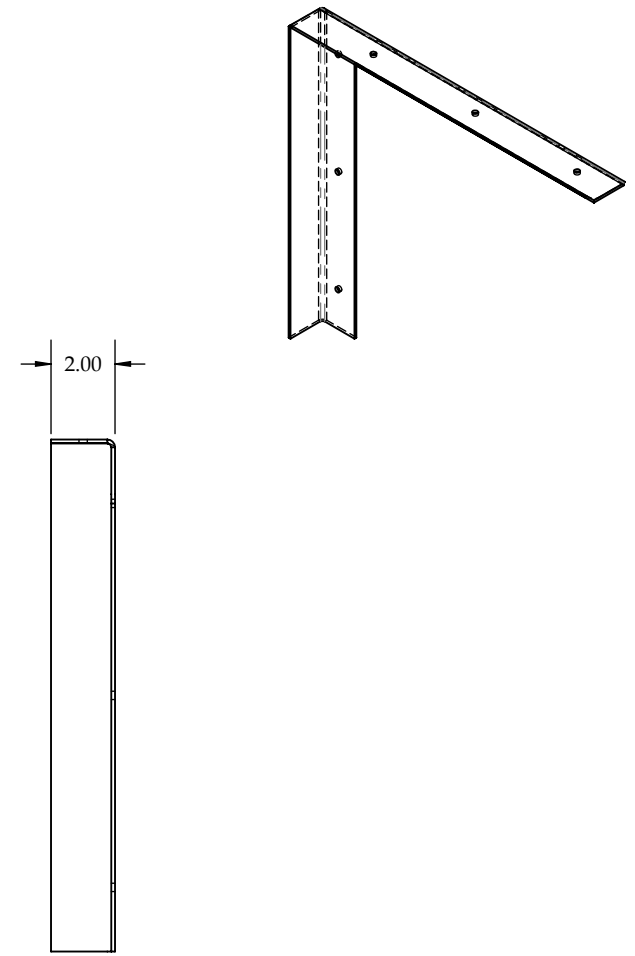
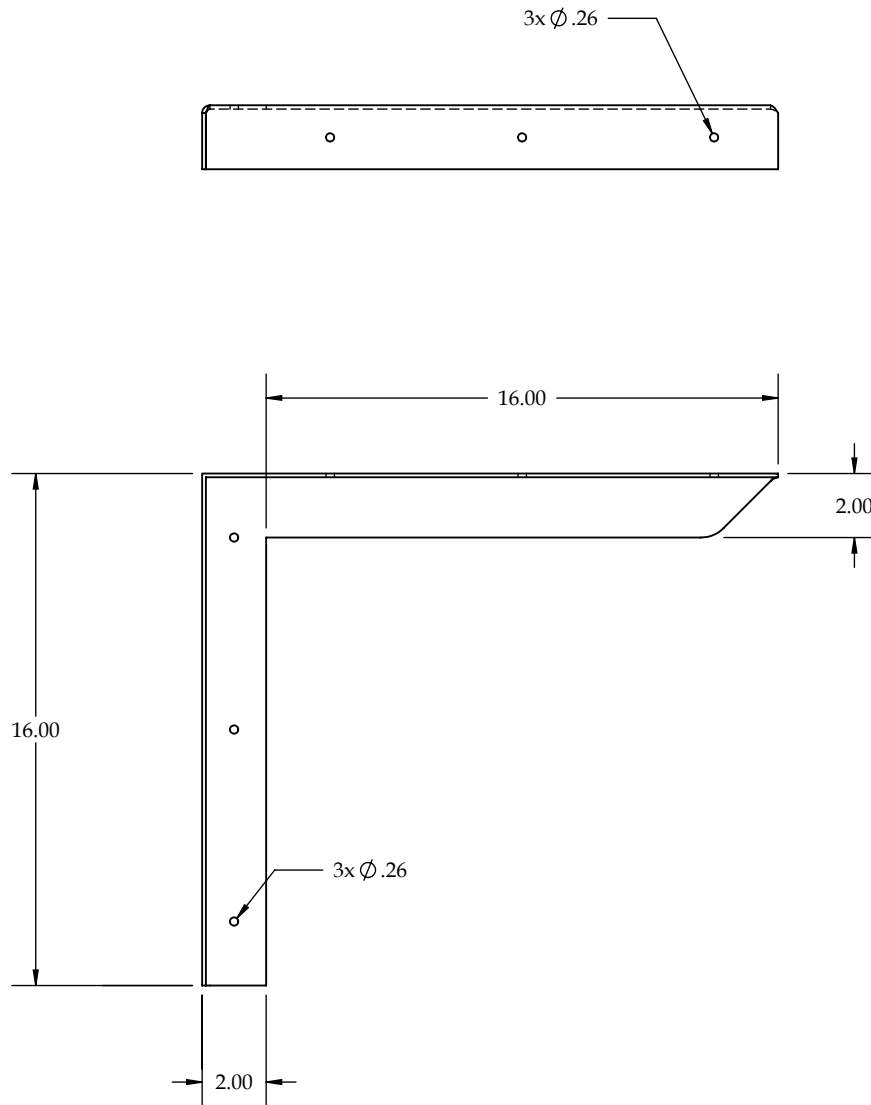
This drawing and information contained herein is the property of Federal Brace. It shall not be reproduced in whole or in part, disclosed to anyone else or used without the written permission of Federal Brace. An independent engineering firm should be consulted to verify use and loading.



CG-Carolina
SKU: FB-01846

Material: 11 GA CRS
Finish: Flat Black

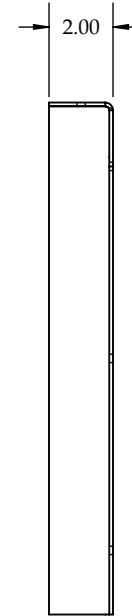
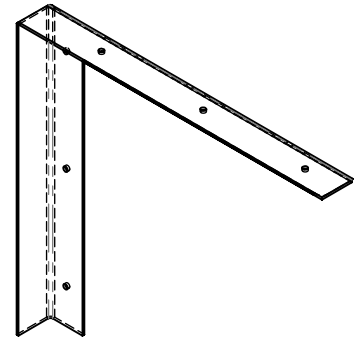
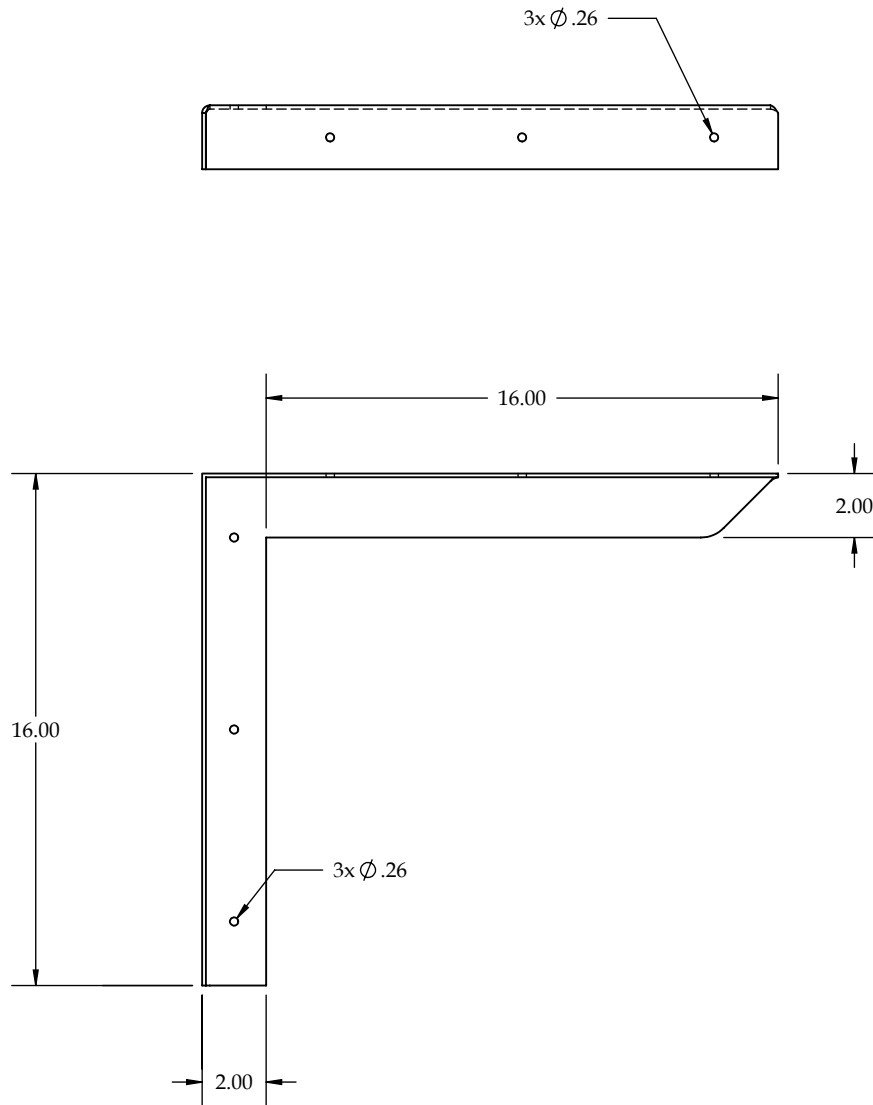
This drawing and information contained herein is the property of Federal Brace. It shall not be reproduced in whole or in part, disclosed to anyone else or used without the written permission of Federal Brace. An independent engineering firm should be consulted to verify use and loading.



CG-Carolina
SKU: FB-01847

Material: 11 GA CRS
Finish: Grey

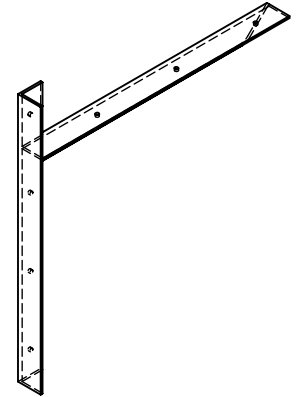
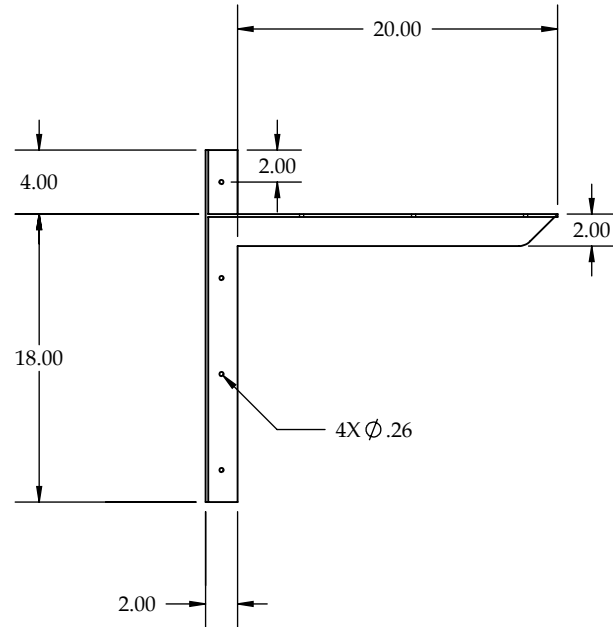
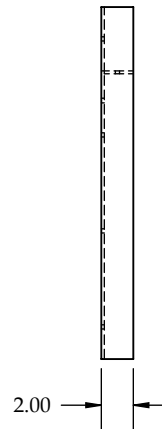
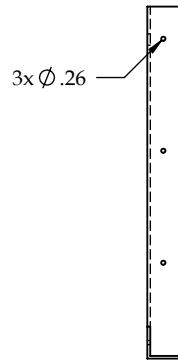
This drawing and information contained herein is the property of Federal Brace. It shall not be reproduced in whole or in part, disclosed to anyone else or used without the written permission of Federal Brace. An independent engineering firm should be consulted to verify use and loading.



CG-Carolina
SKU: FB-01848

Material: 11 GA CRS
Finish: Flat Black

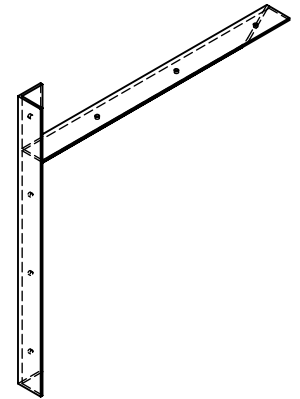
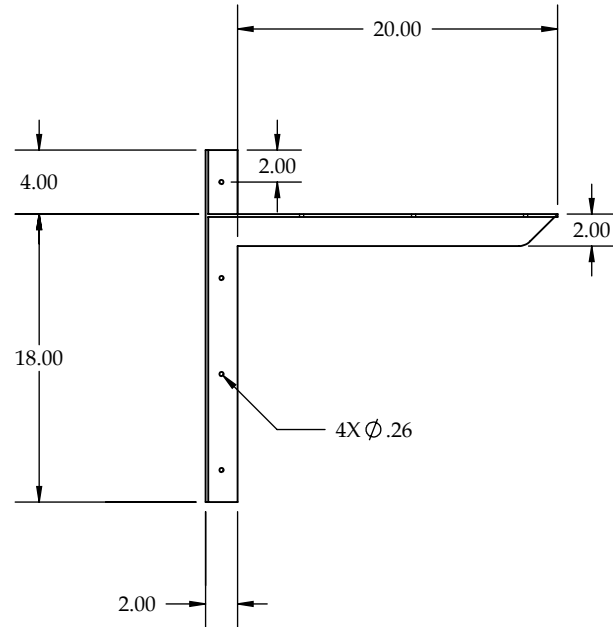
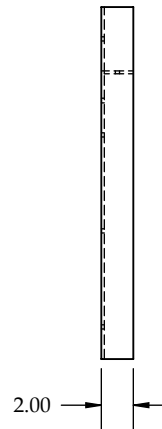
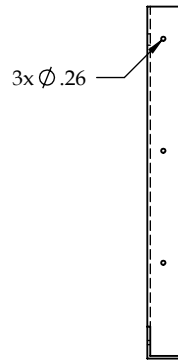
This drawing and information contained herein is the property of Federal Brace. It shall not be reproduced in whole or in part, disclosed to anyone else or used without the written permission of Federal Brace. An independent engineering firm should be consulted to verify use and loading.



CG-Carolina
 SKU: FB-01849

Material: 7 GA CRS
 Finish: Grey

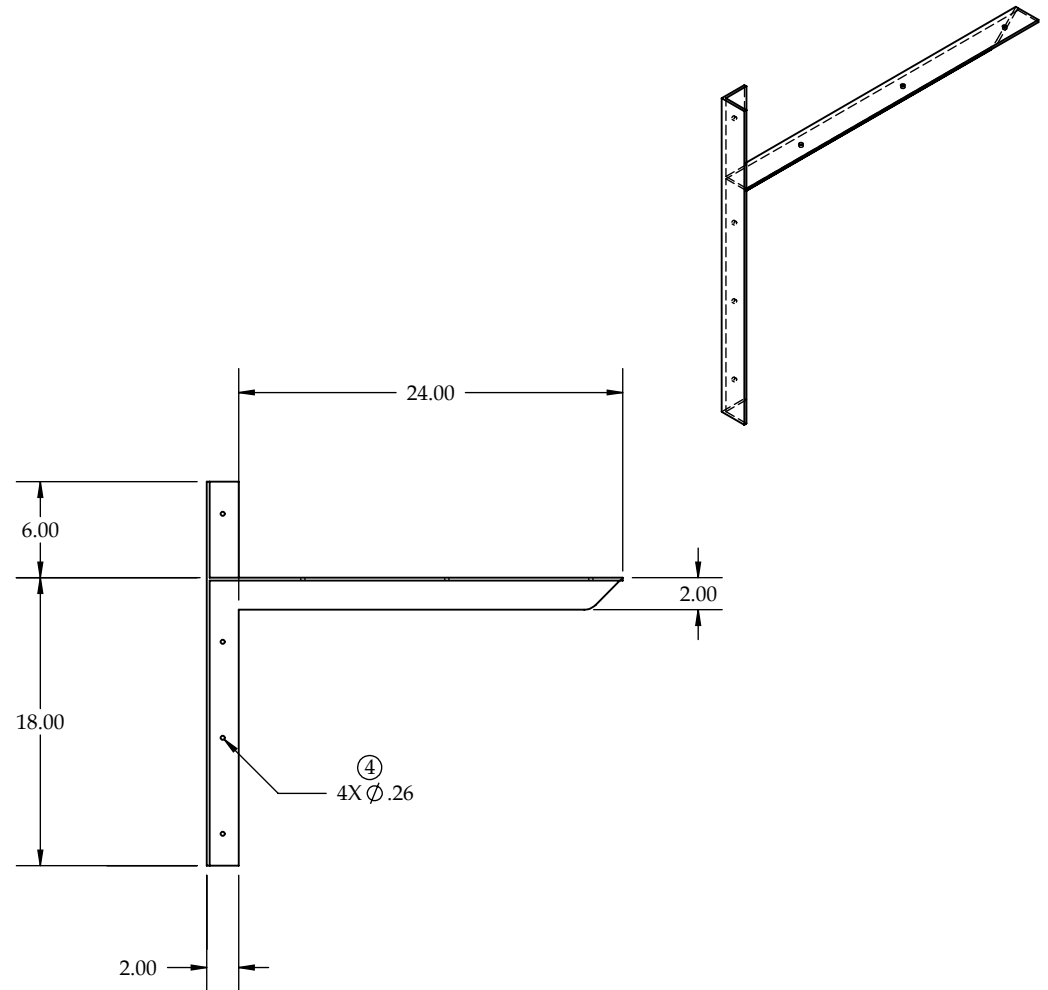
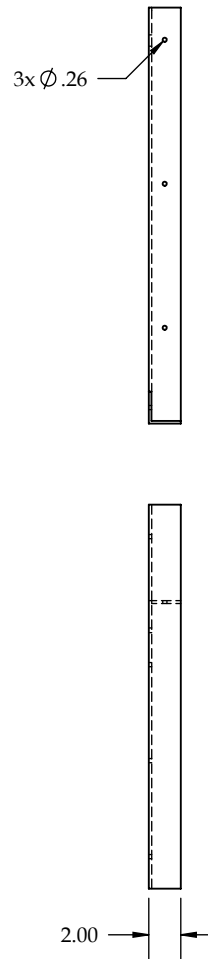
This drawing and information contained herein is the property of Federal Brace. It shall not be reproduced in whole or in part, disclosed to anyone else or used without the written permission of Federal Brace. An independent engineering firm should be consulted to verify use and loading.



CG-Carolina
SKU: FB-01850

Material: 7 GA CRS
Finish: Flat Black

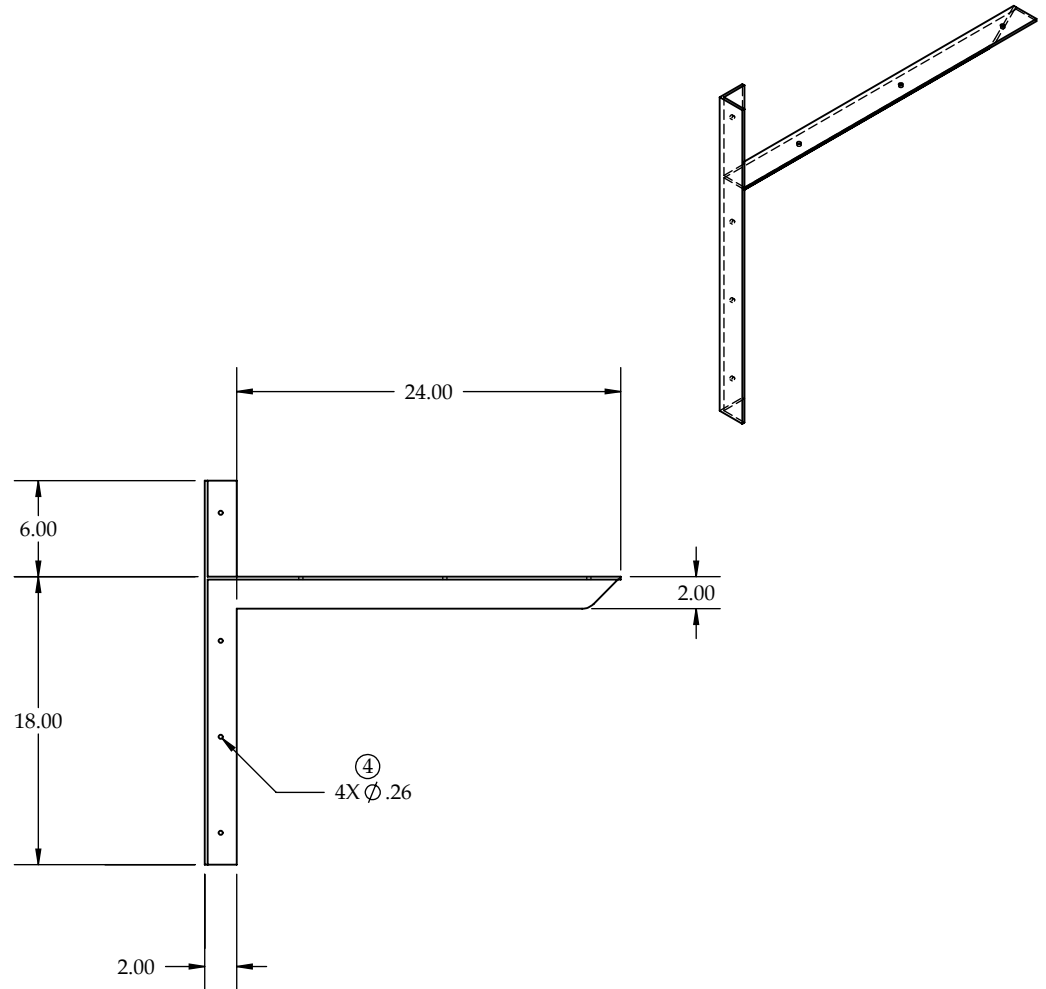
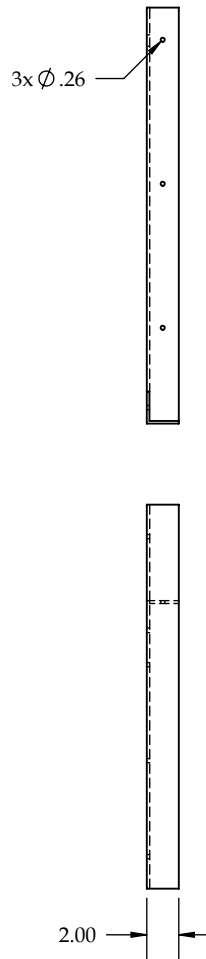
This drawing and information contained herein is the property of Federal Brace. It shall not be reproduced in whole or in part, disclosed to anyone else or used without the written permission of Federal Brace. An independent engineering firm should be consulted to verify use and loading.



CG-Carolina
SKU: FB-01851

Material: 7 GA CRS
Finish: Grey

This drawing and information contained herein is the property of Federal Brace. It shall not be reproduced in whole or in part, disclosed to anyone else or used without the written permission of Federal Brace. An independent engineering firm should be consulted to verify use and loading.



CG-Carolina
 SKU: FB-01852

Material: 7 GA CRS
 Finish: Flat Black

This drawing and information contained herein is the property of Federal Brace. It shall not be reproduced in whole or in part, disclosed to anyone else or used without the written permission of Federal Brace. An independent engineering firm should be consulted to verify use and loading.