

Combi-Cam™

► 7440 Combi-Cam Ultra™ (Dual Access)



- Easy to use
- Durable, all-metal construction
- Secure with up to 1,000 possible combinations
- Pick resistant dials
- Easily set your own combination any time
- Key override with code discovery
- Replaces any 3/4" diameter keyed cam lock

SPECIFICATIONS

Keyless/Combination: 3-dial combination cam/locker lock with key override and code retrieval capability offering convenient keyless access.

Resettable: Set the combination in three easy steps. Up to 1,000 possible combinations.

Installation: Can be installed vertically (door) or horizontally (drawer).

Barrel diameter: 3/4"

Cylinder lengths: 5/8", 7/8" or 1-1/8"

Body: Heavy duty die cast metal construction

Cam: Includes dual hole, 1-1/2" long straight cam for use in door or drawer applications.

Cam rotation: 90° stop cam placement allows cam to rotate 90° to the left or right.

Finish: Chrome (7440L also available in Black)

Packaged: 20 per box / 100 per case

KEYING INFORMATION

Keyway: High security, tubular keyway. The

Override Key allows for override or retrieval of the current combination. One key controls all locks in the same key code group.

Keys: Override keys are NOT included with locks. Order separately as required.

Override keying: Keyed alike

INCLUDED ACCESSORIES

Pronged wood washer, fixing nut, 90° stop cam, cam screw and lock washer, and 1-1/2" dual hole, straight cam.

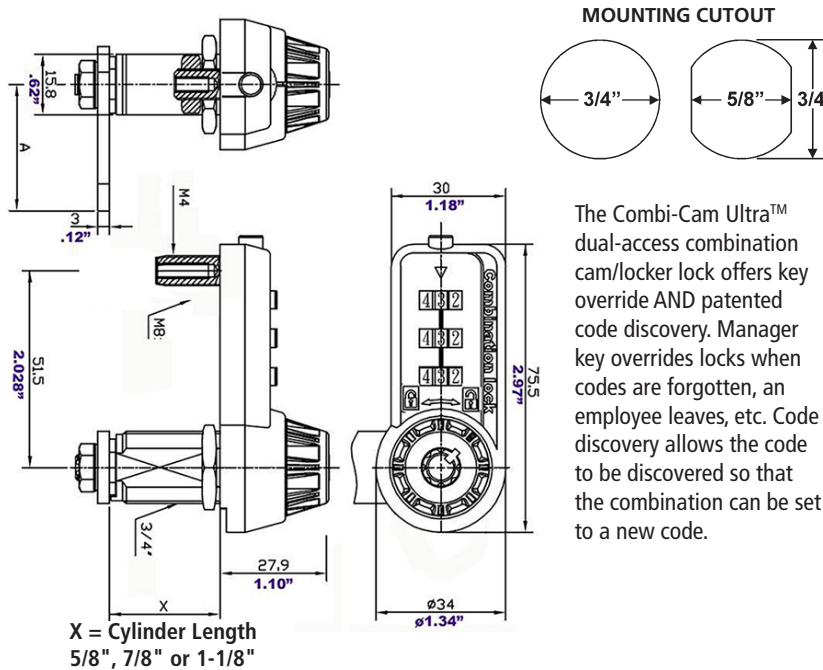
OPTIONAL ACCESSORIES

7440-KEYS: Override keys (set of 2). Specify key code when ordering.

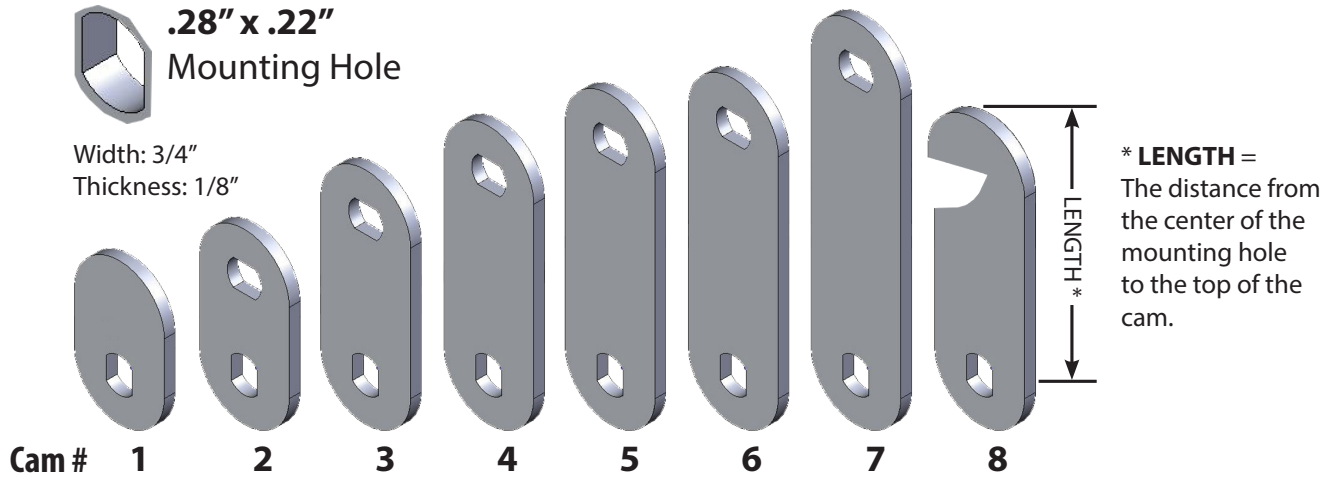
100 Series cams: Straight and offset dual-hole cams (See cam diagrams on reverse side)

See reverse side for optional cams →

Item	Finish	Cyl. Length	Fits Max. Material Thickness	Override Key Code	Function
7440S-KA374	Chrome	5/8"	3/8"	#374	3-dial combination cam/locker lock with key override and code retrieval. Up to 1,000 possible combinations.
7440M-KA179	Chrome	7/8"	5/8"	#179	
7440L-KA374	Chrome	1-1/8"	7/8"	#374	
7440L-BLK-KA168	Black	1-1/8"	7/8"	#168	
Override Keys are not included with locks — order separately as required (sold as a set of 2)					
7440-KEYS-374	Override keys (set of 2) code #374				
7440-KEYS-179	Override keys (set of 2) code #179				
7440-KEYS-168	Override keys (set of 2) code #168				



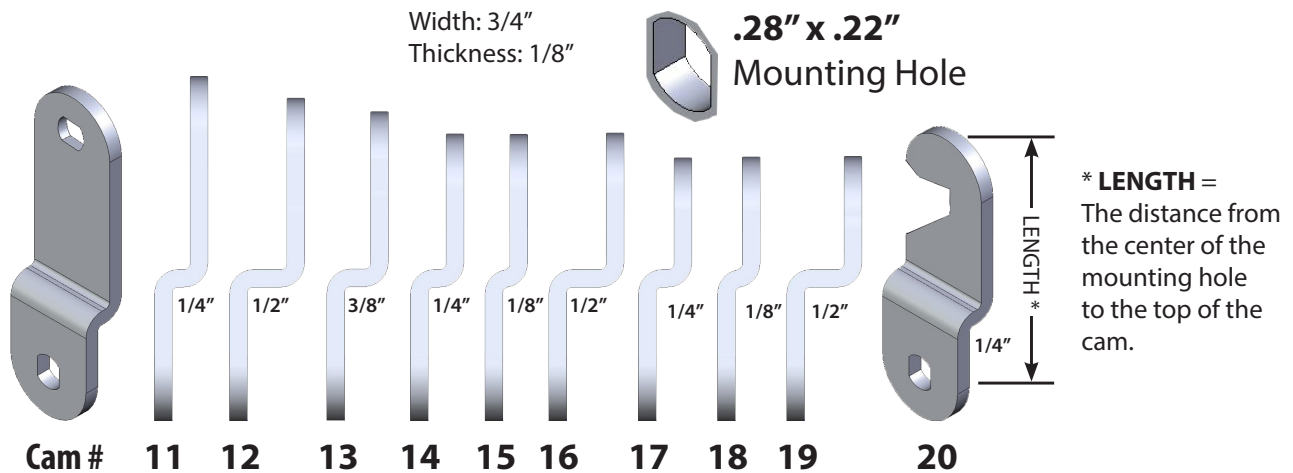
100 SERIES — STRAIGHT CAMS



Cam #	SKU	Length *	Cam #	SKU	Length *
1	130049	5/8"	5	130023D	1-1/2"
2	130050D	3/4"	6	130058	1-5/8"
3	130031D	1-1/8"	7	130056D**	2"
4	130147D	1-1/4"	8	PL32001	1-1/4"

** 130056D is available via special order. Requires minimum purchase of 20 pcs.

100 SERIES — OFFSET CAMS



Cam #	SKU	Length *	Offset	Cam #	SKU	Length *	Offset
11	30597D	2-1/4"	1/4"	16	30027D**	1-1/2"	1/2"
12	30596D	2"	1/2"	17	30594D	1-1/4"	1/4"
13	30002D	1-5/8"	3/8"	18	30593D**	1-1/4"	1/8"
14	30026D	1-1/2"	1/4"	19	30595D	1-1/4"	1/2"
15	30025D**	1-1/2"	1/8"	20	PL39001	1-1/2"	1/4"

** 30025D, 30027D, 30593D are available via special order. Requires minimum purchase of 20 pcs per item.

