

Shelf & Rod Brackets



www.epcohardware.com



Functional closet hardware in a variety of finishes

Engineered Products Company

P.O. Box 108 Flint, Michigan 48501-0108

Tel (810) 767-2050

Fax (810) 767-5084

sales@epcohardware.com

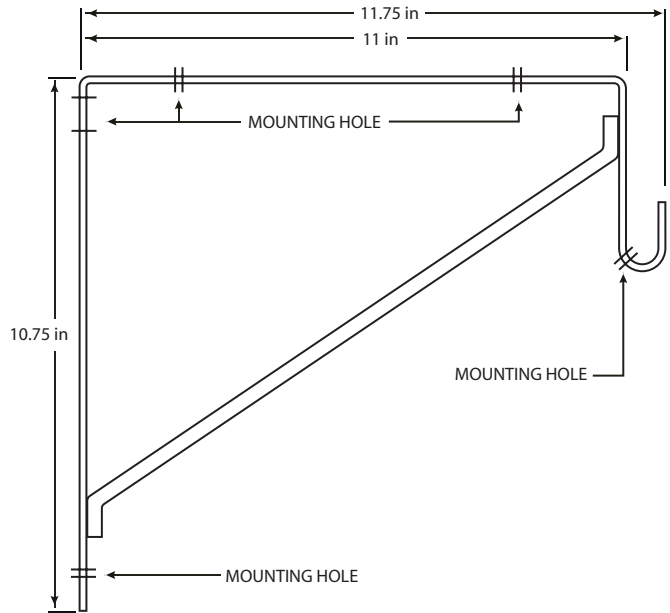
www.epcohardware.com

Shelf & Rod Brackets



www.epcohardware.com

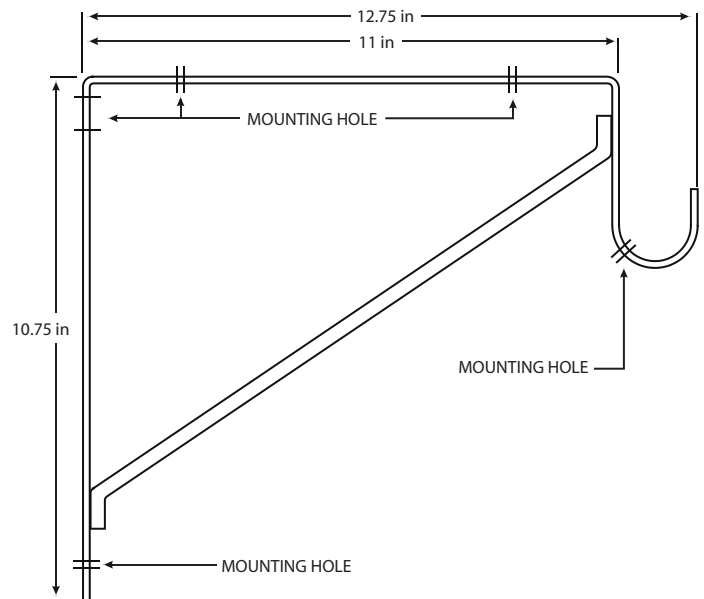
Oval



| PART NUMBER | MATERIAL | FINISH |
|-------------|----------|-------------------|
| 848-PC | Steel | Polished Chrome |
| 848-ORB | Steel | Oil Rubbed Bronze |

Accommodates 15 x 30 mm oval closet rod.

Round



| PART NUMBER | MATERIAL | FINISH |
|-------------|-----------------|-------------------|
| 858-PC | Steel | Polished Chrome |
| 858-ORB | Steel | Oil Rubbed Bronze |
| 858-WH | Steel | White |
| 858-SS | Stainless Steel | Brushed |

Accommodates 1 inch to 1½ inch diameter round closet rod.

Engineered Products Company
P.O. Box 108 Flint, Michigan 48501-0108

Tel (810) 767-2050
Fax (810) 767-5084
sales@epcohardware.com
www.epcohardware.com