

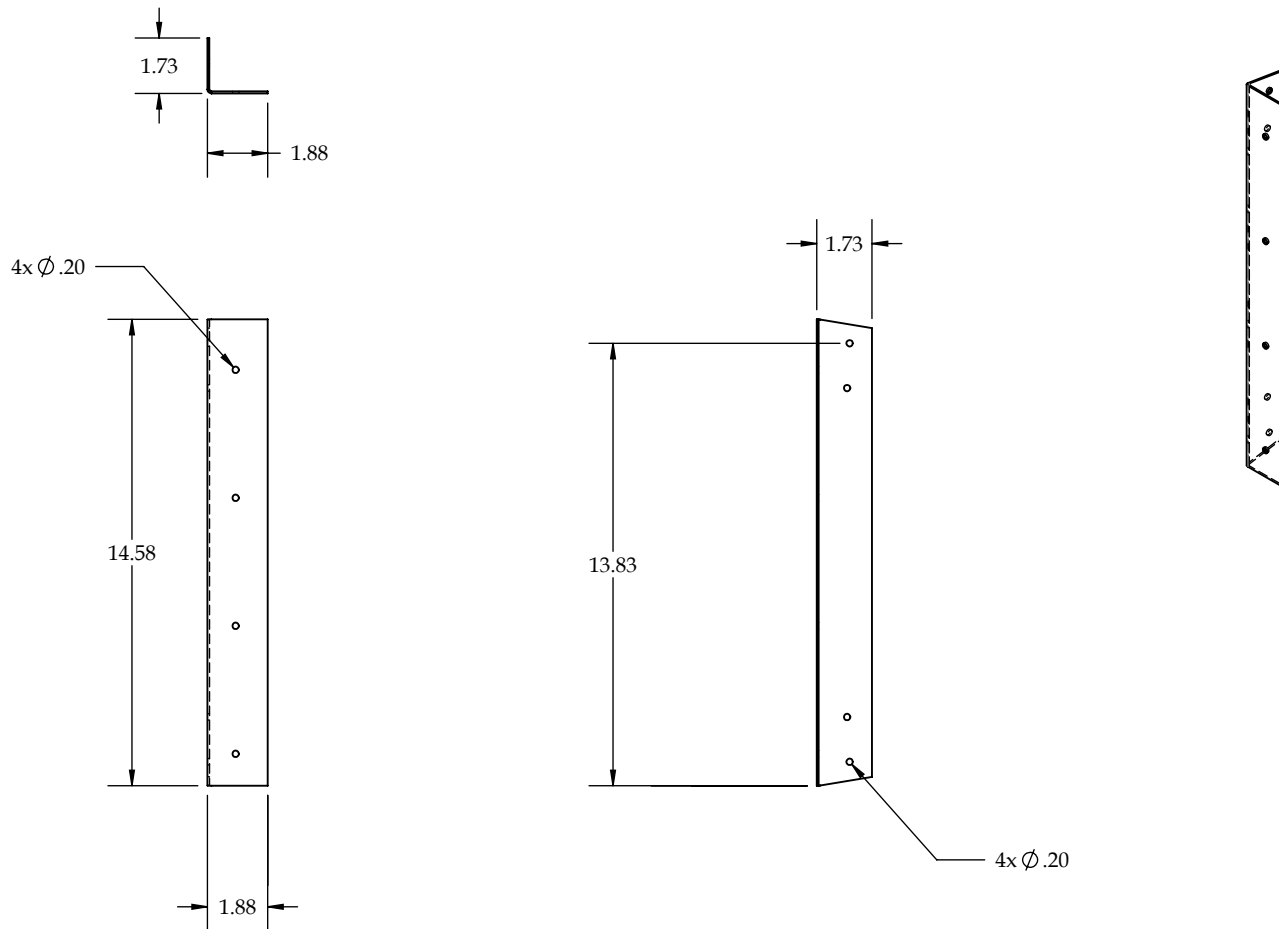
ADA Universal Floating Vanity Bracket

SKU: 40435 - Body

Material: 11 GA CRS

Finish: Flat Black

This drawing and information contained herein is the property of Federal Brace. It shall not be reproduced in whole or in part, disclosed to anyone else or used without the written permission of Federal Brace. An independent engineering firm should be consulted to verify use and loading.



ADA Universal Floating Vanity Bracket
 SKU: 40435 - Arm

Material: 16 GA CRS
 Finish: Flat Black

This drawing and information contained herein is the property of Federal Brace. It shall not be reproduced in whole or in part, disclosed to anyone else or used without the written permission of Federal Brace. An independent engineering firm should be consulted to verify use and loading.