



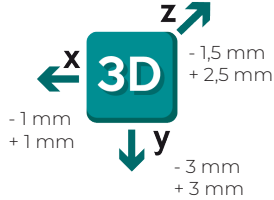
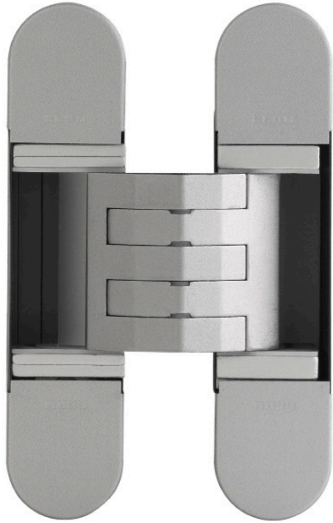
1450

130mm x 30mm
5-1/8" x 1-3/16"



MAINTENANCEFREE
CLADDING up to 10mm

MAIN FEATURES



- *Available in 12 different finishes
- Suitable for doors of 35mm min. thickness
- Easy 3D adjustments with one simple tool
- Fluid 180° opening
- **Load capacity 176 lbs. (80 kg.)**
- **Allow to install claddings or baseboards up to 10mm thick on the jamb / wall side**
- Manufactured in Zinc to resist oxidation
- Tested for minimum 200,000 opening / closing cycles.
- Manufactured in Italy

Color	Item	Description
	C1450SIL	3D Invisible Hinge 130 x 30 Silver Painted
	C1450NK	3D Invisible Hinge 130 x 30 Nickel Plated
	C1450BLK	3D Invisible Hinge 130 x 30 Matte Black
	C1450SNI	3D Invisible Hinge 130 x 30 Satin Nickel Plated

*Other finishes available upon request

MODEL	TECHNOLOGY	MATERIAL	DIMENSION L x W mm / Inches	MINIMUM DOOR THICKNESS mm / Inches	RANGE OF REVERSIBILITY mm / Inches	LOAD CAPACITY kg / lbs	
						2 hinge	3 hinge
1450	Concealed Hinge	Zinc	130 x 30mm 5-1/8" x 1-3/16"	35mm 1-3/8"	35 - 50mm 1-3/8" - 2"	60 kg 132 lbs	80 kg 176 lbs

2 HINGE LOAD CAPACITY CHART (lbs)

DOOR HEIGHT (inches)	27-9/16"	31-1/2"	35-7/16"	39-3/8"	43-5/16"	47-1/4"	51-3/16"
86-5/8"	132	132	132	130	112	101	93
82-11/16"	132	132	132	121	106	97	88
78-3/4"	132	132	132	112	101	93	86
74-13/16"	132	132	121	106	95	88	84

3 HINGE LOAD CAPACITY CHART (lbs)

DOOR HEIGHT (inches)	27-9/16"	31-1/2"	35-7/16"	39-3/8"	43-5/16"	47-1/4"	51-3/16"
118-1/8"	176	176	176	176	176	176	176
114-3/16"	176	176	176	176	176	176	176
110-1/4"	176	176	176	176	176	176	165
106-5/16"	176	176	176	176	176	176	157
102-3/8"	176	176	176	176	176	168	148
98-7/16"	176	176	176	176	176	157	141
94-1/2"	176	176	176	176	170	148	134
90-9/16"	176	176	176	176	159	141	128
86-5/8"	176	176	176	172	148	132	123
82-11/16"	176	176	176	159	139	126	119
78-3/4"	176	176	176	148	132	121	115

DOOR WIDTH (inches)

Note: Manufacturing tolerance are based on metric dimensions.
Fractions are for reference only.





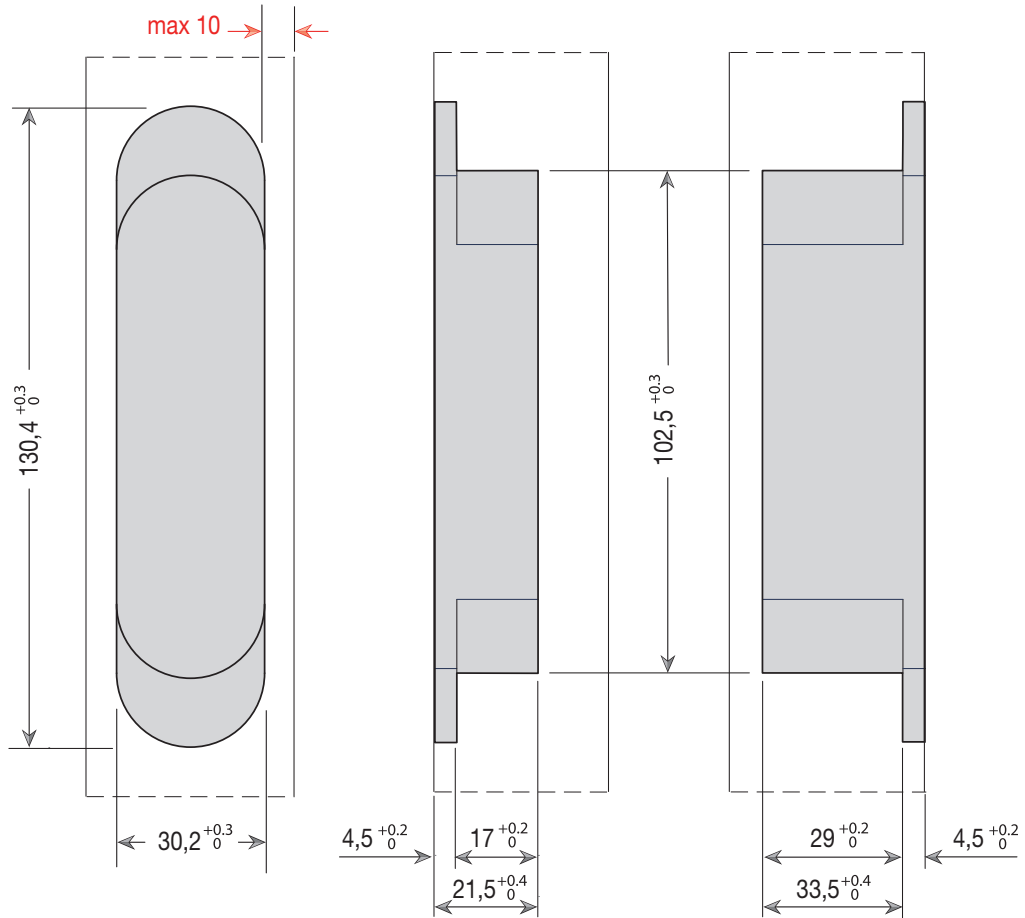
1450

130mm x 30mm
5-1/8" x 1-3/16"



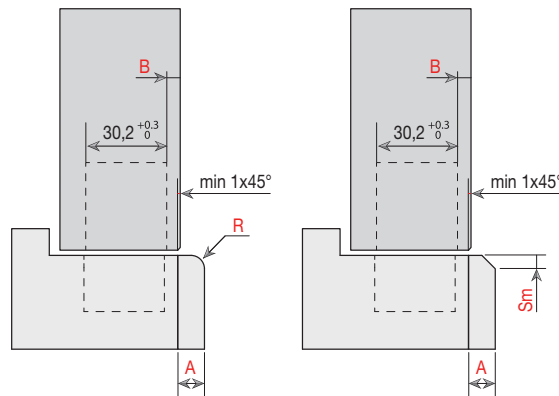
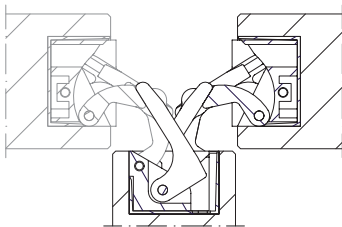
MAINTENANCE**FREE**

SLOT ROUTING



REVERSIBILITY

Reversible for doors from 35 mm to 50 mm thick



Door cross-section

A	B max	R min	Sm min
15,5	2,50	1	1x45°
15	2,75	1	1x45°
14	3,25	1	1x45°
13	3,75	1	1x45°
12	4,25	1	1x45°
11	4,75	1	1x45°
10	5,25	1	1x45°
9	5,75	1	1x45°
8	6,25	1	1x45°
7	6,75	1	1x45°

Note: Manufacturing tolerance are based on metric dimensions.
Fractions are for reference only.

made in italy

