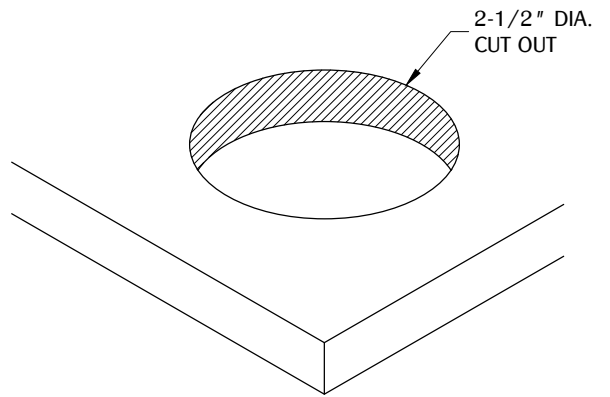
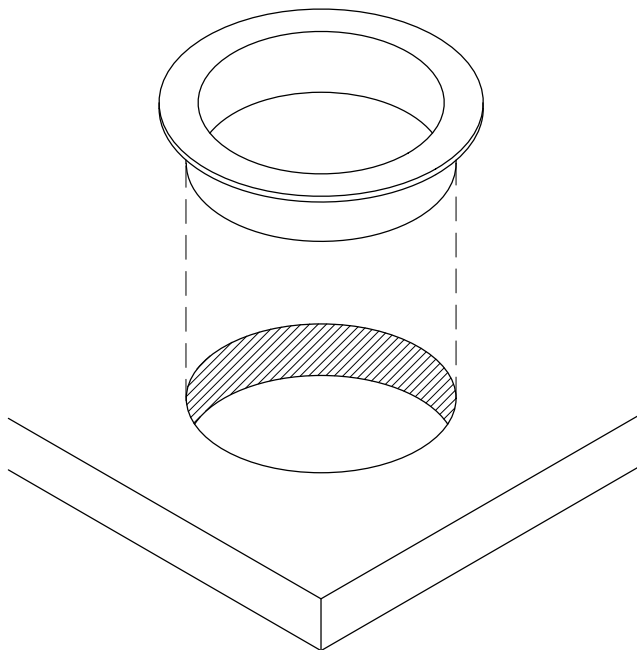


1



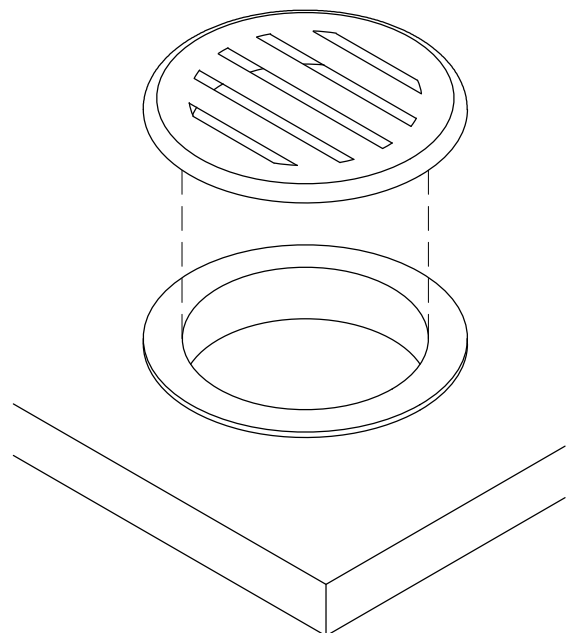
Make a cut out on the desired surface. (Note: We do not recommend cutting before receiving part or part sample.)

2



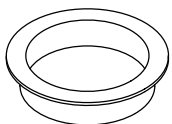
Install EDP1 into the cut out and be sure it is fully leveled onto worksurface.

3

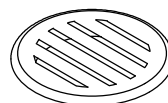


Insert EDPAVG2 into the liner.

TABLE OF CONTENTS:



..... 1x EDP1



..... 1x EDPAVG2