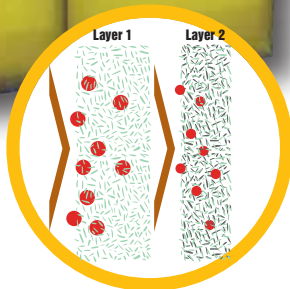
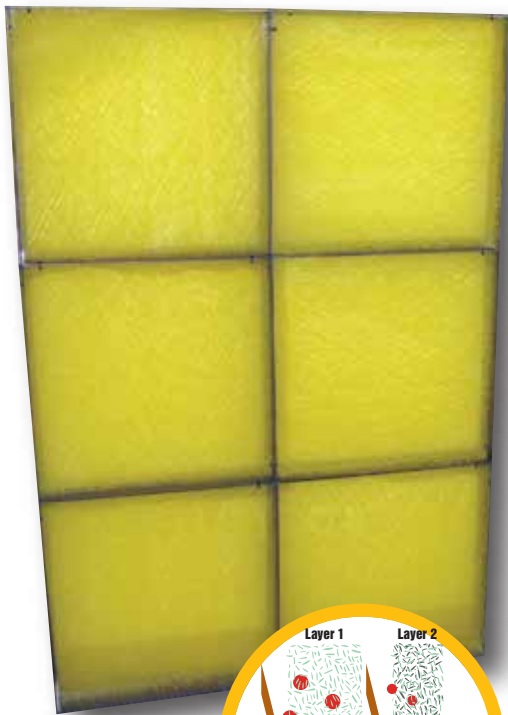




AIR FLOW TECHNOLOGY

Filtration Group®



INDUSTRIAL FINISHING FILTRATION FM18 PAINT ARRESTOR

- **Lower filter unit cost**
- **Compact packaging saves on shipping, storage and disposal costs**
- **Keeps paint stacks, roofs and outside environment cleaner**
- **Consistent Air Flow and Less Spray Booth Turbulence**
- **100% Fiberglass Construction**

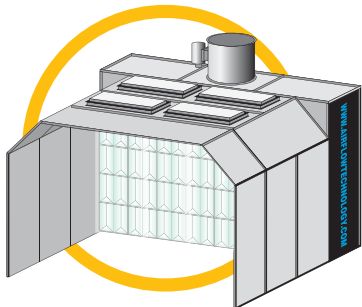
The Latest In Fiberglass Paint Arrestance Technology

Air Flow Technology's new FM18 paint arrestor will increase the efficiency of your paint operation by utilizing the latest technology in fiberglass air filtration. This specialty paint arrestor is ideal for a wide range of coatings where the operator demands infrequent change-outs, a high rating of particle arrestance, and economical pricing.

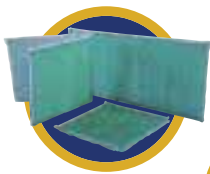
FM18's unique 100% fiberglass construction allows you to obtain efficiency ratings previously limited to polyester filter technology while capitalizing on the inherent cost savings normally associated with fiberglass technology. This highly compressible product will provide consistent air flow throughout your spray booth while reducing paint bypass into your ductwork and fans.

How does it work?

Air Flow Technology's FM18 filter functions on the concept of depth loading and surface area paint retention. With a special manufacturing process, the FM18 is constructed with smaller fibers than traditional fiberglass paint arrestors. This process essentially doubles the surface area of the filter without adding additional raw materials to its construction. The air-exit layer of the FM18 is a tight, high-efficiency "scrim". The air-entry side is a "open-face" paint arrestor leading into the middle layer which is engineered to maximize holding capacity and service life.



OTHER AIR FLOW TECHNOLOGY SPRAY BOOTH PRODUCTS & ACCESSORIES



SERIES 55 Tacky Intake Panel



**SERIES 65 Heavy
Duty Intake Panel**



FR-1 Intake Panel



**AFR-1 Scrim Backed
Intake Panel**



FF-560 GX™ Diffusion Media



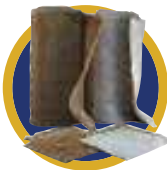
Fiberglass Pads & Rolls



E28



Paint Pockets™



Paper Paint Arrestors



Styropad



**Andreae™
Paint Arrestors**

Booth Coating



Floor Covering



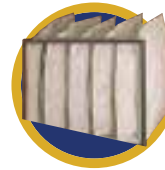
Blue Diamond



**Prefilter and Exhaust
Filter Bags**



Prefilter Link



**Poly Pak 45
Bag Filter**



**AIR FLOW
TECHNOLOGY**

Filtration Group®

Kenosha, WI • Torrance, CA • York, SC

(O) 800.537.5454

(F) 262.657.2210

(E) finishing-inquiry@filtrationgroup.com

www.filtrationgroup.com/finishing
www.airflowtechnology.com