

ASSEMBLY INSTRUCTIONS FOR THE
HORIZONTAL (Sidebed)
Create-A-Bed®
 MURPHY BED

WARNING!

**This bed contains stored mechanical energy
 which can cause serious injury if improperly handled.
 Your bed MUST! MUST! be securely anchored to the wall!
 READ INSTRUCTIONS THOROUGHLY
 BEFORE
 ASSEMBLY AND DISASSEMBLY!**

If you have ANY questions, call **TOLL FREE** (877) 966-3852

Tools needed: Power Drill, Stud Finder, Tape Measure, Phillips-Head Screwdriver, Flat-head Screwdriver, #4 Allen Wrench, 7/16" Socket, 1/2" Wrench, Clamps and Drill bits appropriate for your mounting surface see (step 16 on page 10).

STEP1:

Replace all hardware on bed components except for the bed stops. Familiarize yourself with all COMPONENTS in Figure 1. Position Parts in front of desired cabinet location.

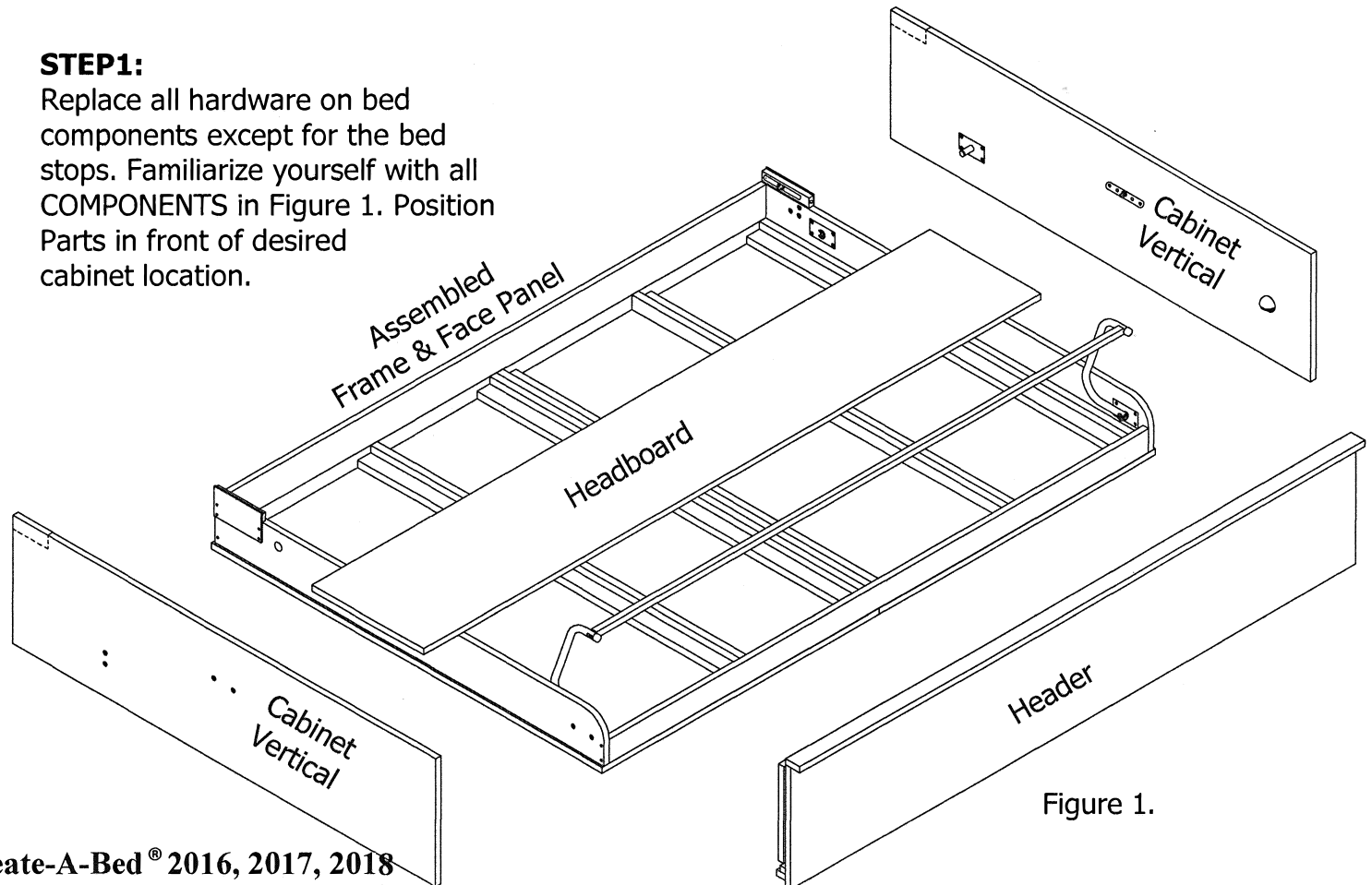
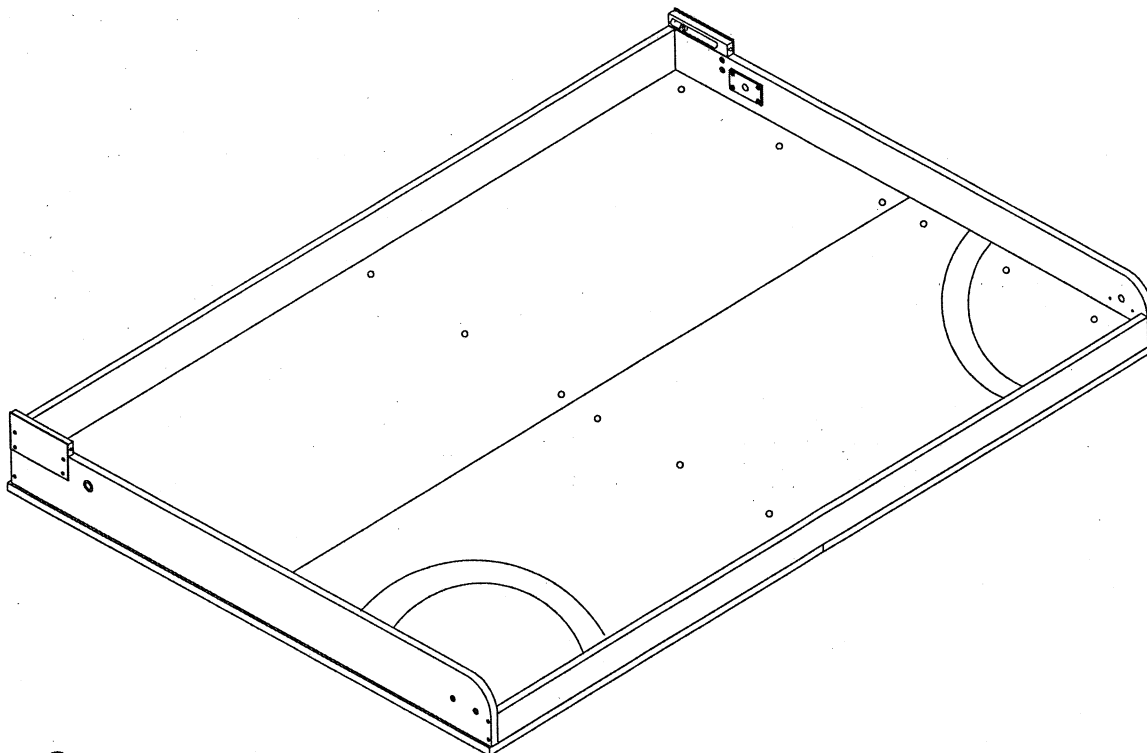


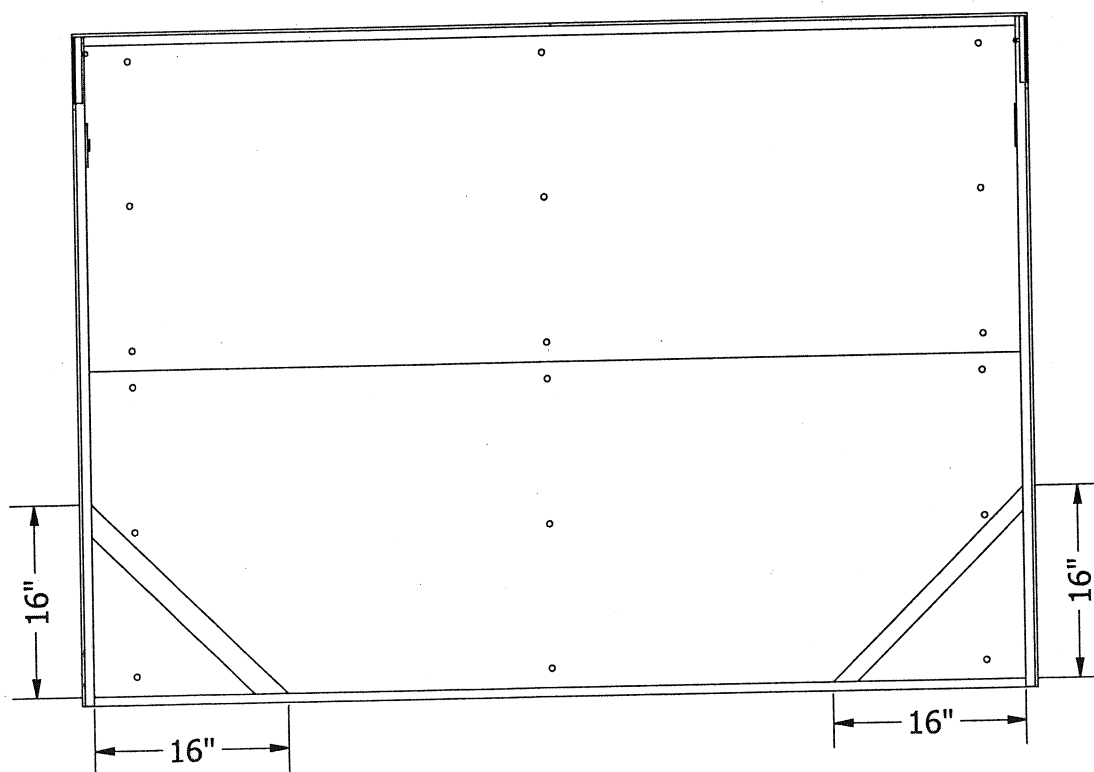
Figure 1.

©Create-A-Bed® 2016, 2017, 2018

Protected By U.S. Patents #8,850,637 , #8,898,831
 Protected By Canada Patents #2,871,969 , #2,897,339
 Protected By China Patent #ZL 201380032662.0
 Protected By Mexico Patent #351674

**Step 2:**

Lay 1/4" plywood mattress support (PART J) on inner bed frame and attach with screws do not glue. Screw ends of both mattress retaining straps thru 1/4" plywood (PART J) into inner wood bed frame, 16 (sixteen) inches from front corners of face panel as shown.

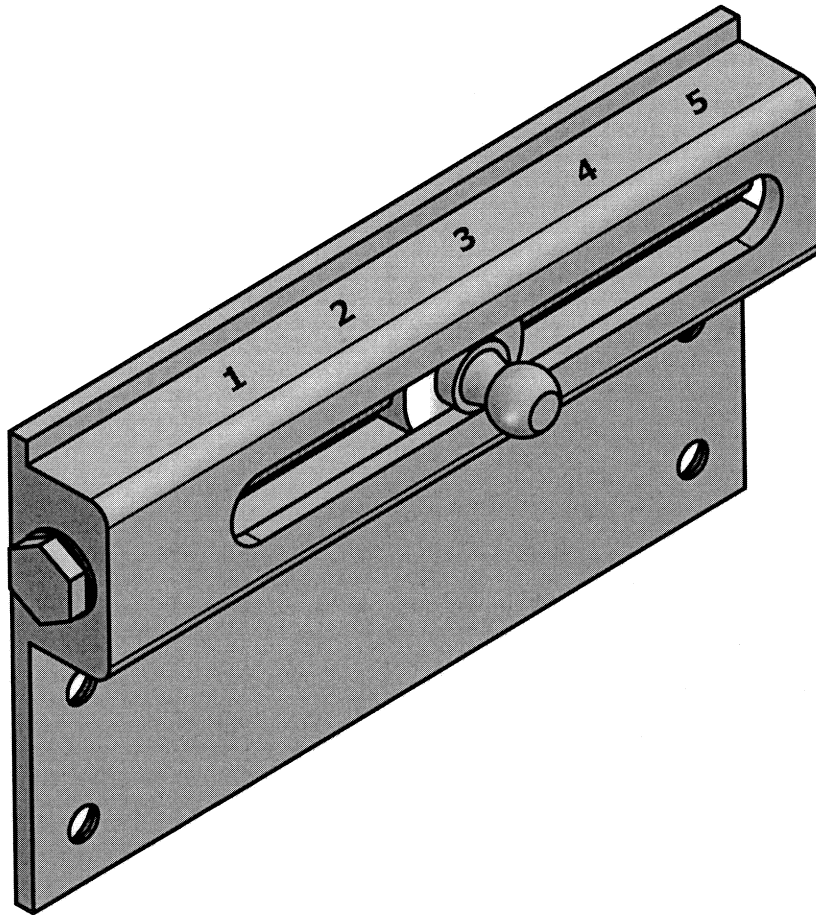


Initial Settings for Adjustable Lower Ball Stud Plate Using 3/4" Material

These settings are **SPECIFIC** to the size and style of bed you ordered.
See Page 11 for instructions on how to adjust your bed to balance correctly.

HORIZONTAL (sidebed) **PLYWOOD**

Queen	SET ON #3
Full	SET ON #3
Twin	SET ON #3

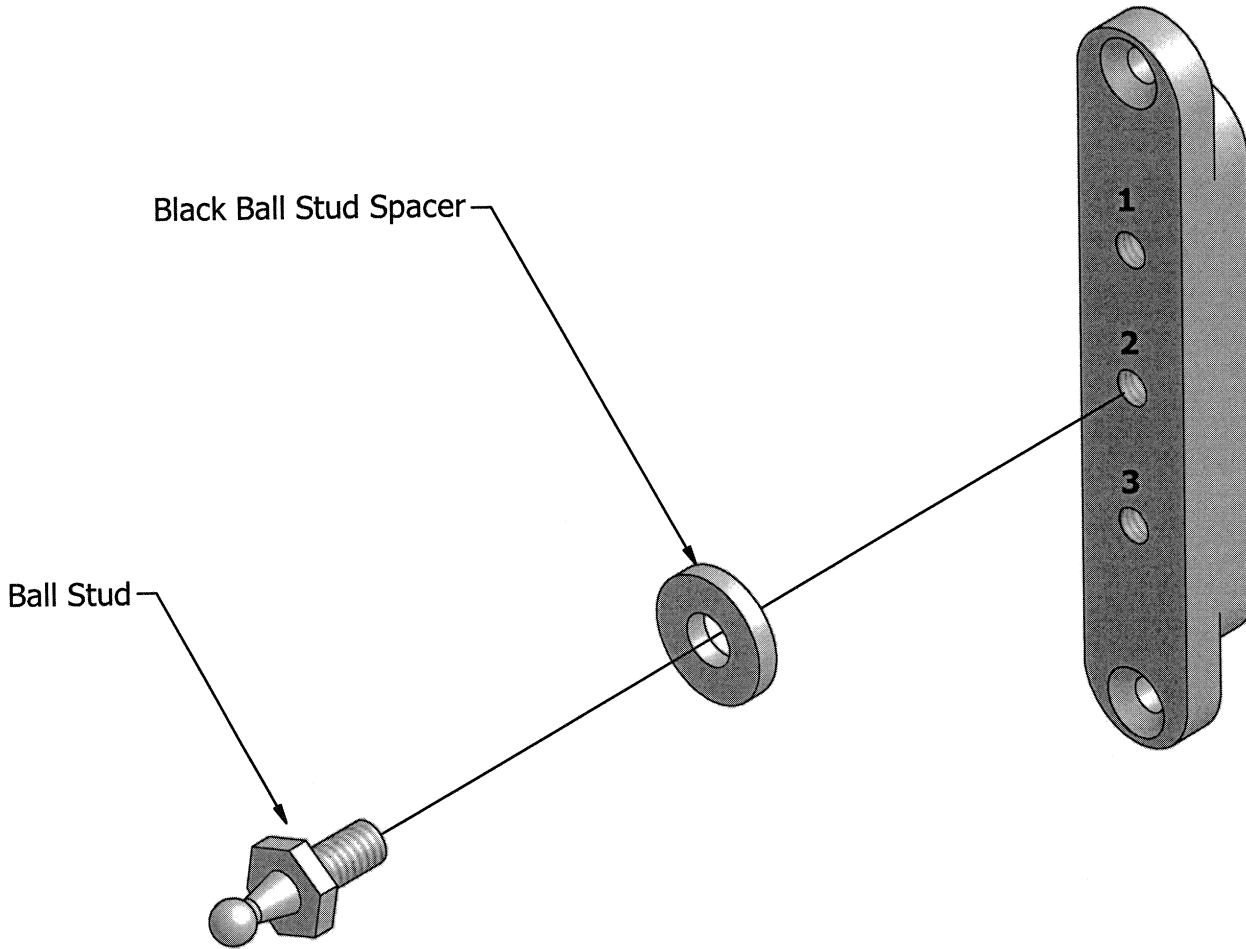


Settings for Adjustable Upper Ball Stud Plate Using 3/4" Material

These settings are **SPECIFIC** to the size and style of bed you ordered.

HORIZONTAL (sidebed) **PLYWOOD**

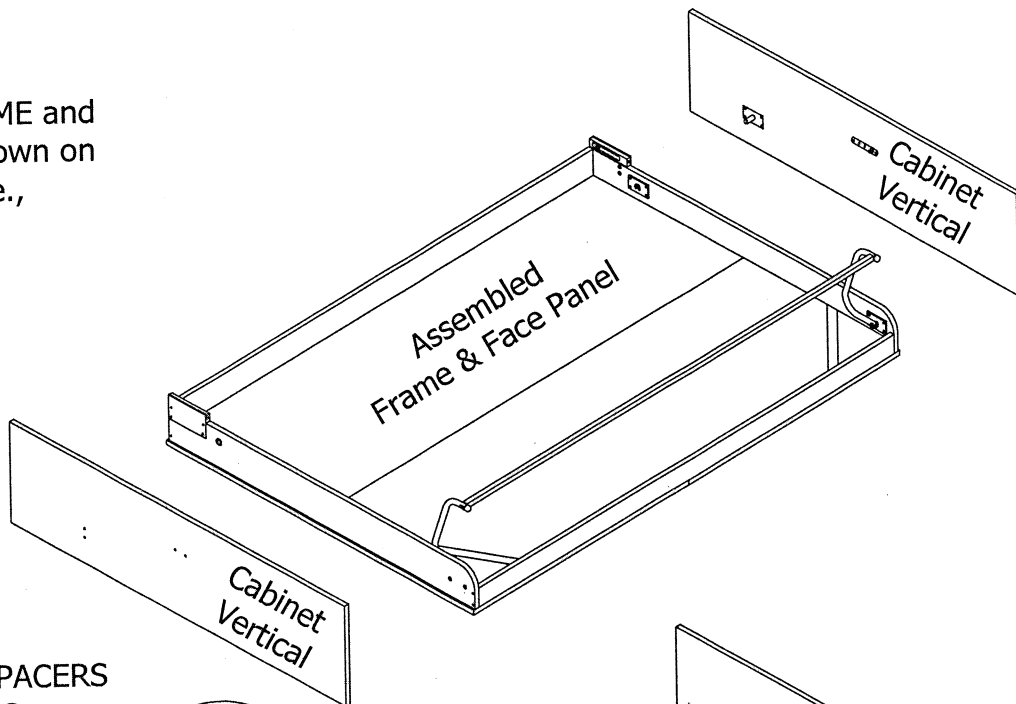
Queen	USE #1
Full	USE #1
Twin	USE #1



Note: Tighten only until snug.
DO NOT OVER-TIGHTEN.

STEP 3:

Lay assembled FRAME and FACE PANEL face-down on a padded surface i.e., blanket or rug.

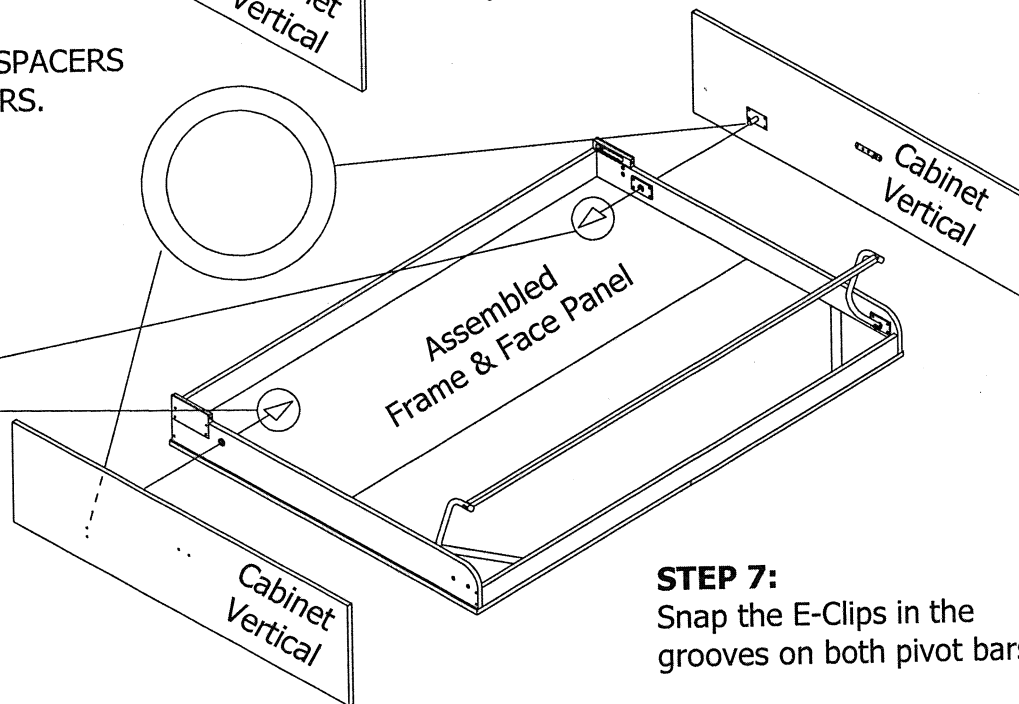


STEP 4:

Lay CABINET VERTICALS on finished (front) edge as shown.

STEP 5:

Slide PLASTIC SPACERS onto PIVOT BARS.



STEP 6:

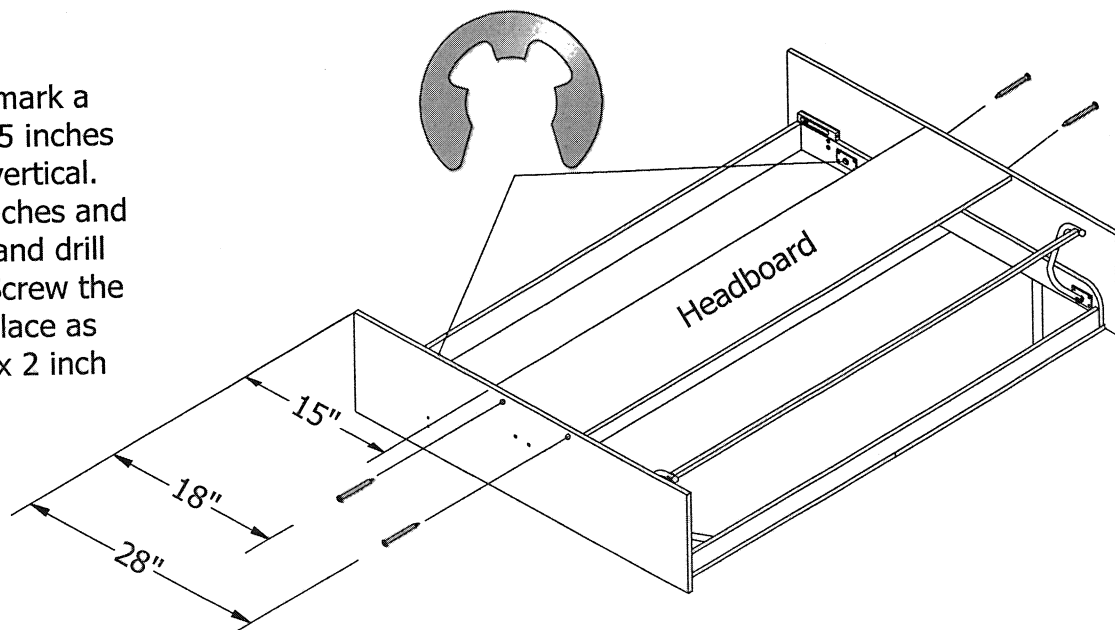
Slide PIVOT BARS into PIVOT HOLES in bed frame until no gap remains between bed frame and verticals.

STEP 7:

Snap the E-Clips in the grooves on both pivot bars.

STEP 8:

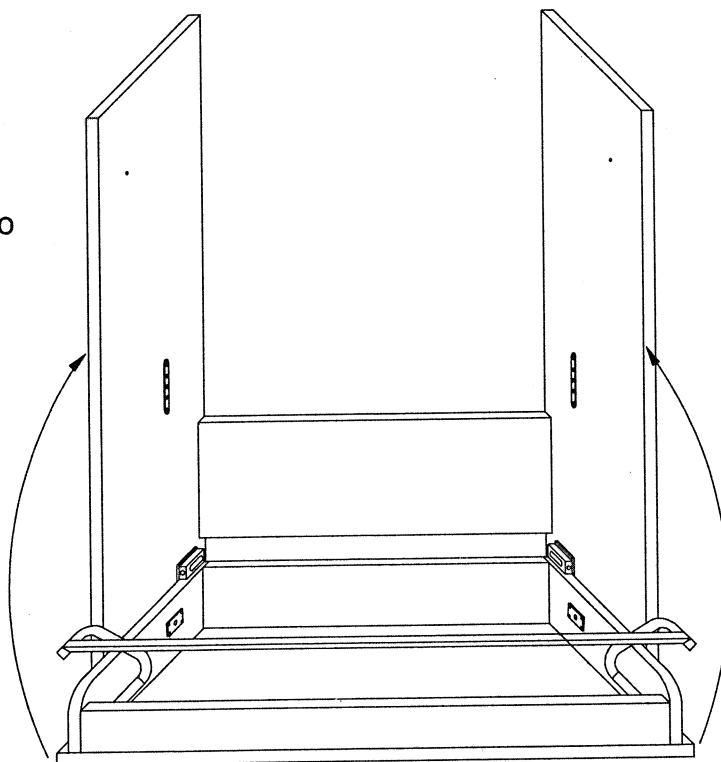
Measure up and mark a reference point 15 inches from the end of vertical. Measure up 18 inches and 28 inches, mark and drill two pilot holes. Screw the headboard into place as shown using #8 x 2 inch screws.



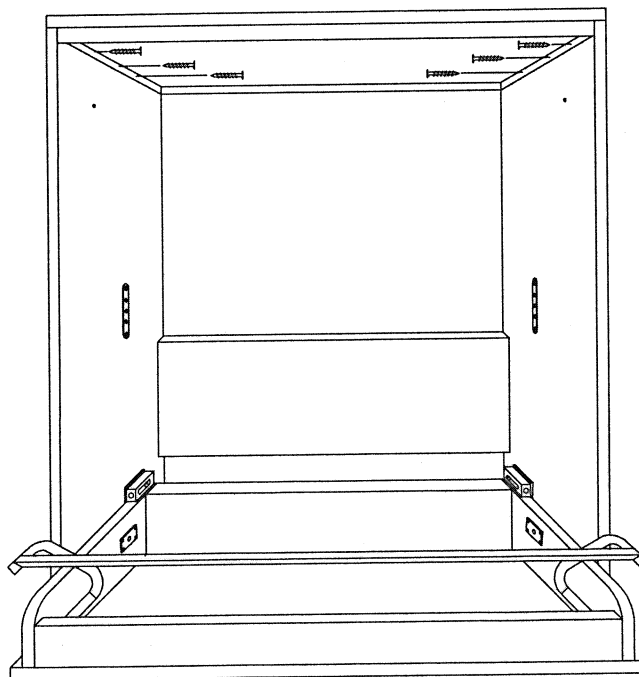
STEP 9:

With the BED FACE PANEL remaining face-down on padding, **and legs in the closed position** slowly and carefully rotate the CABINET VERTICALS & the HEADBOARD assembly into its upright position.

NOTE: To prevent damage to the legs be sure they are in the closed position when rotating the bed into the upright position.

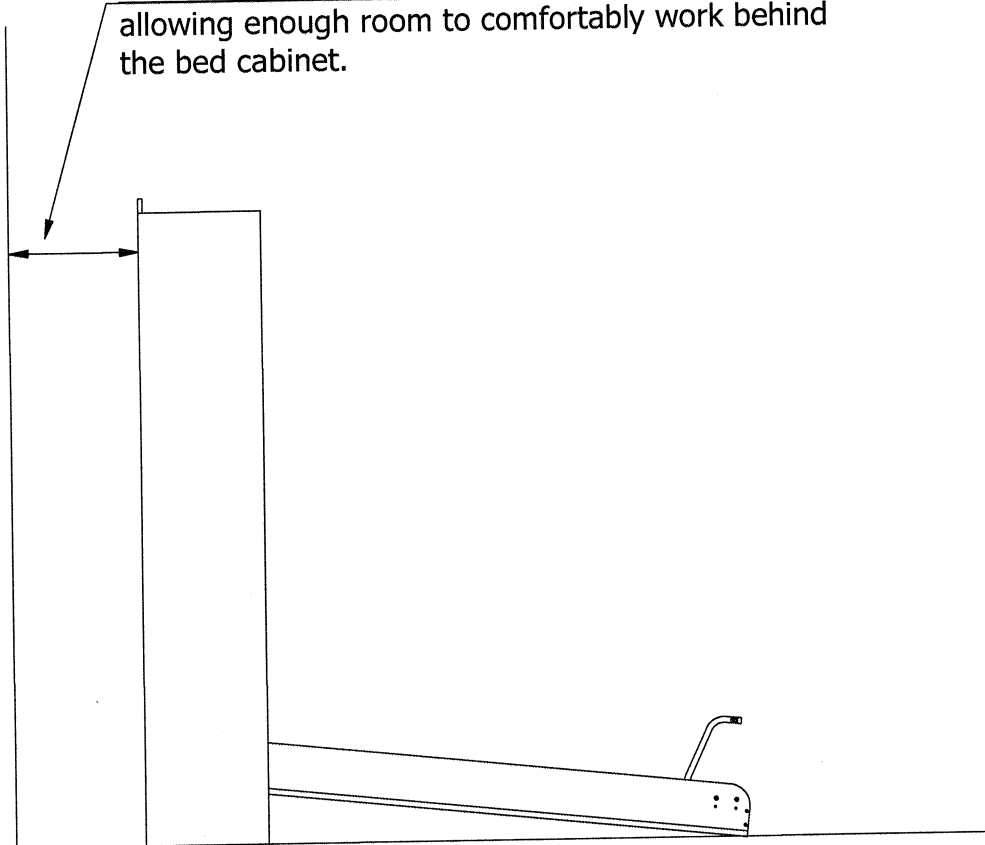
**STEP 10:**

Place the header between the bed verticals, making sure the nailed rail is in front, and the screwed rail is in the rear. Be sure top front and top rear of the header is FLUSH with the top front and top rear of the bed verticals. Using #8 x 1-1/4 inch screws, drill and screw through mounting cleats into the bed verticals, three (3) on each side.



STEP 11:

Place bed cabinet 2 to 3 feet away from the wall, allowing enough room to comfortably work behind the bed cabinet.

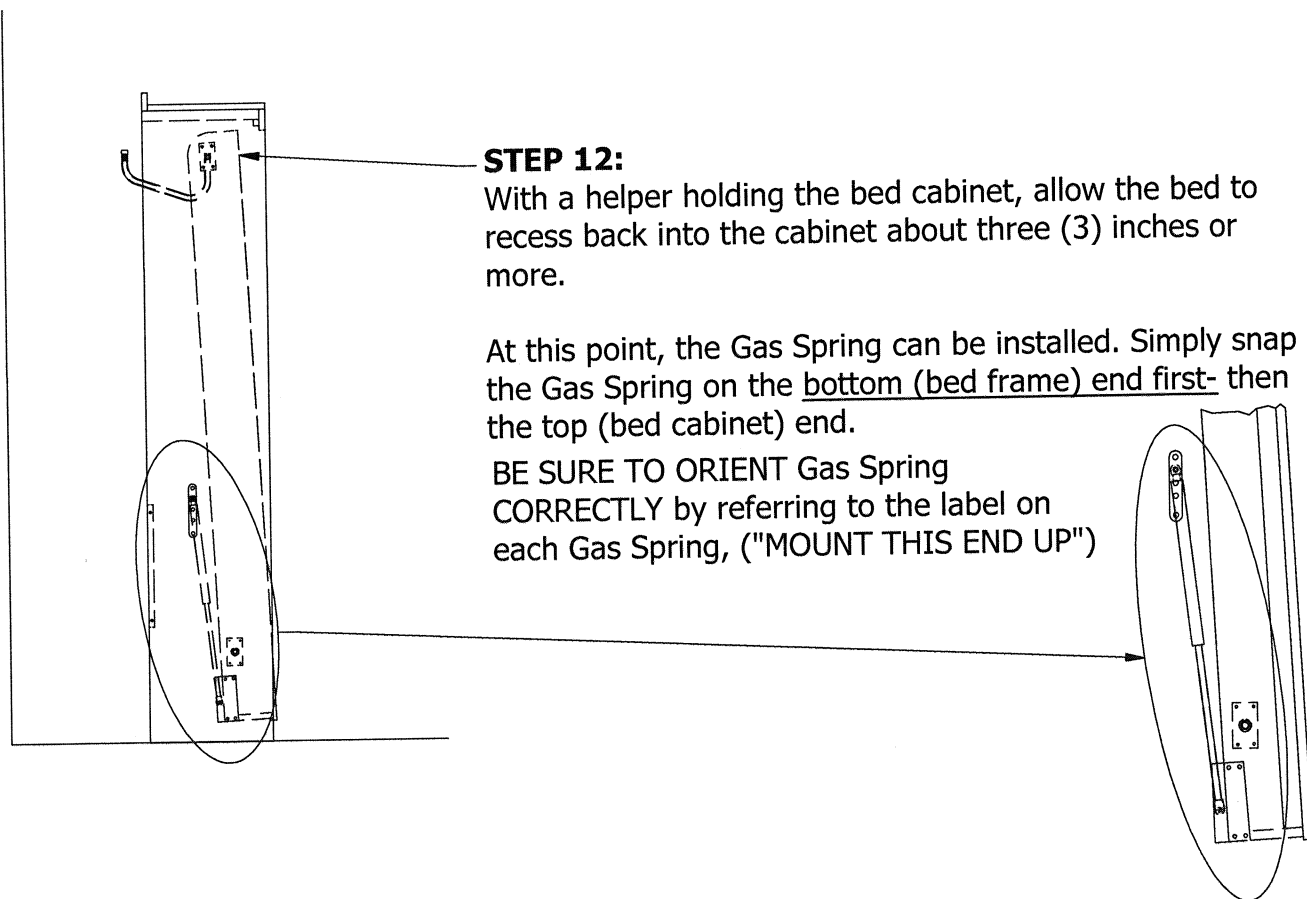


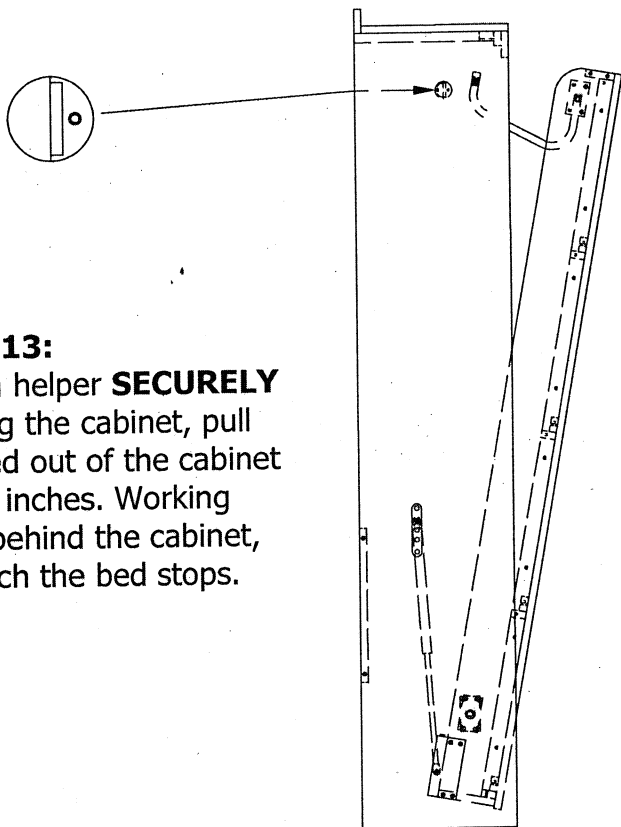
STEP 12:

With a helper holding the bed cabinet, allow the bed to recess back into the cabinet about three (3) inches or more.

At this point, the Gas Spring can be installed. Simply snap the Gas Spring on the bottom (bed frame) end first- then the top (bed cabinet) end.

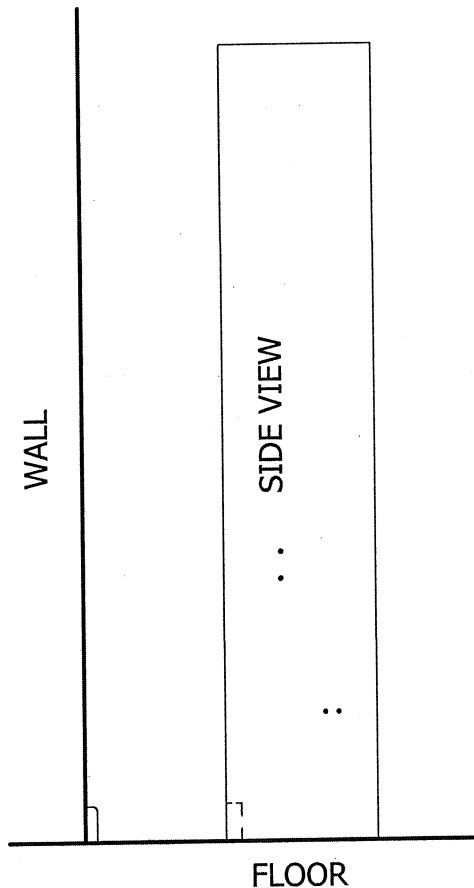
BE SURE TO ORIENT Gas Spring CORRECTLY by referring to the label on each Gas Spring, ("MOUNT THIS END UP")





STEP 13:

With a helper **SECURELY** holding the cabinet, pull the bed out of the cabinet 4 to 5 inches. Working from behind the cabinet, reattach the bed stops.

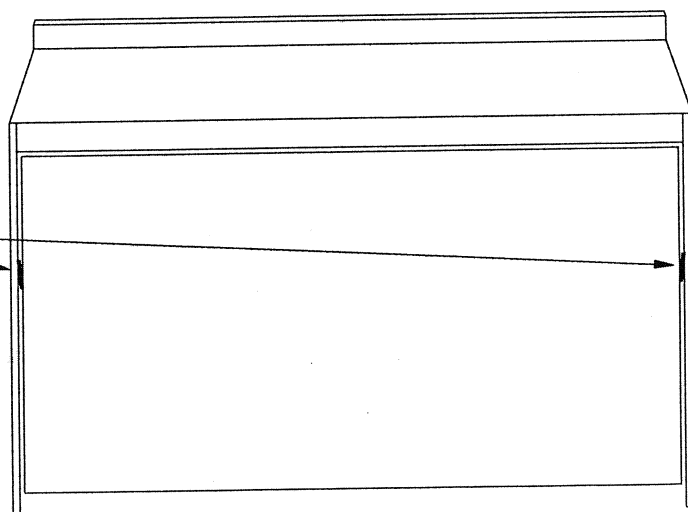


STEP 14:

If the room has existing base molding, make a cut at the bottom rear of the cabinet verticals to accommodate the existing base molding. If room does not have base molding, simply place cabinet flush against wall.

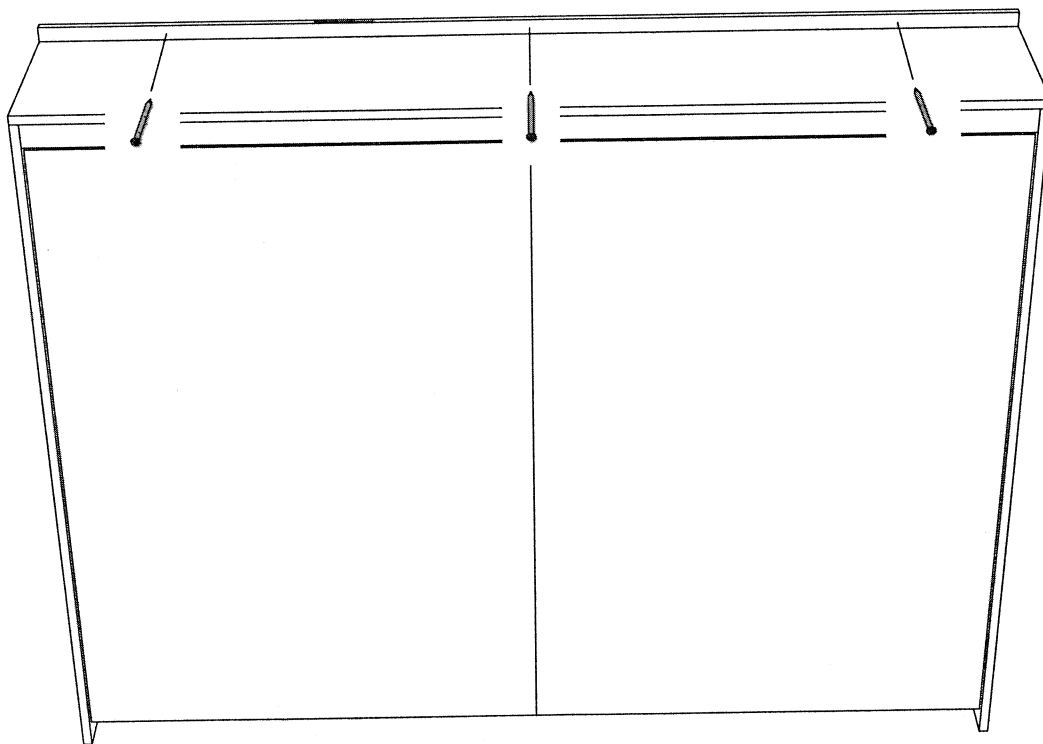
STEP 15:

After assuring that the top and bottom of the bed cabinet are against the wall, center the face panel between the verticals by placing a piece of folded cardboard between the face panel and each of the two verticals as illustrated.



STEP 16 IS VERY, VERY IMPORTANT!!! YOUR BED MUST BE SECURELY AND CORRECTLY ANCHORED TO THE WALL to assure proper operation and to avoid possible injury.

NOTE: When the bed is lowered, it wants to pull the bed cabinet down with it, so the bed cabinet **MUST** be securely anchored to the wall using the correct fasteners for your type or wall.



See STEP 16 on PAGE 10 for Anchoring Instructions →

STEP 16: MOUNTING THE BED CABINET TO THE WALL

If the wall has **WOOD** studs, use 3" COARSE THREAD drywall screws or 3" lag screws:

Locate and mark the centers of the studs in desired wall location using a good studfinder.

Drill three (3) pilot holes through the rear rail of the Bed Header into the wall for a twin or full size bed and four (4) for a queen size bed. Drive three (3) 3" drywall screws or lag screws through the rear rail of the Bed Header into the studs for a twin or full, and drive four (4) screws for a queen size bed.

If the wall is **CONCRETE, MORTAR OR BRICK** construction, use masonry screws:

Drill three (3) pilot holes through the rear rail of the Bed Header into the wall for a twin or full size bed and four (4) for a queen size bed. Using a 5/32" 4" concrete drill bit, drill through the pilot holes into the wall two (2) inches deep. Anchor the bed by screwing 3/16" x 2-1/4" masonry screws through the rear rail of the Bed Header into the wall.

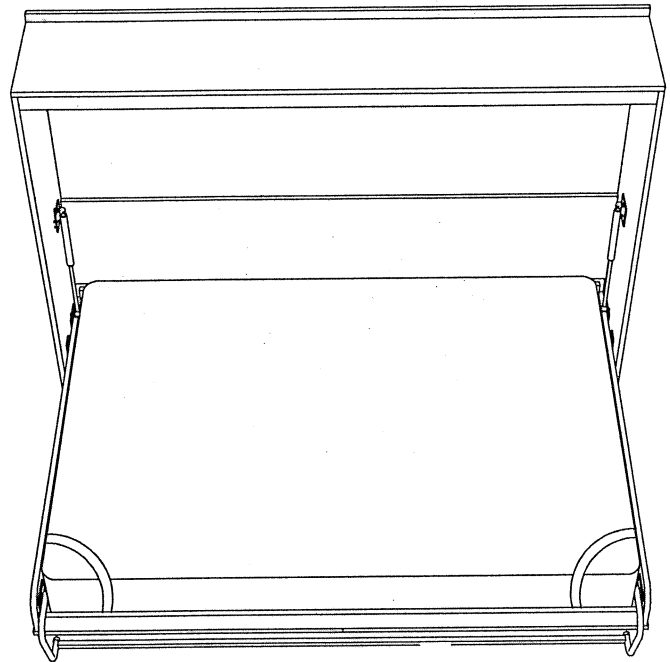
If the wall has **METAL** studs, use 3/16" x 4" toggle bolts:

Locate and mark the centers of the studs in desired wall location using a good studfinder.

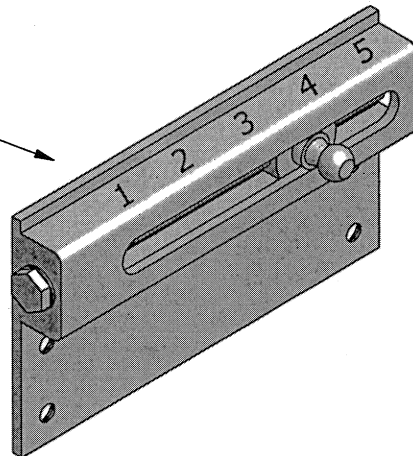
Drill three (3) pilot holes through the back rail of the Bed Header into the wall for a twin or full size bed and four (4) for a queen size bed. Using a 9/16" drill bit, drill holes at the pilot holes through the metal studs. Be sure you drill through the studs. Insert the toggle bolt screws through the pilot holes in the rear rail of the Bed Header. Now thread the toggle wings on the screws. Fold the wings back completely and push the wings through the metal studs until the wings spring open. Pull the Header Rail back to hold the wings against the inside of the stud and tighten the screws with a screwdriver.

STEP 17:

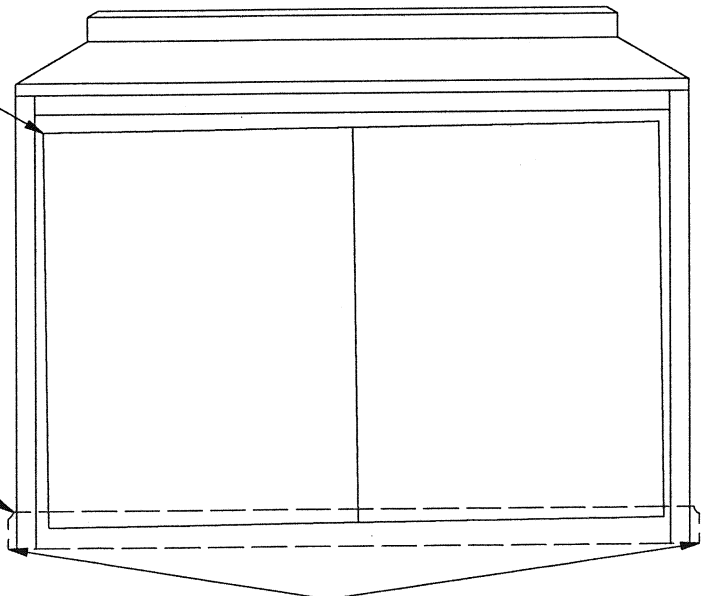
Holding the BED FACE PANEL in the down position, place the innerspring mattress on the bed and secure with ELASTIC RETAINING STRAPS.



NOTE: When Lowering the bed with the mattress it may seem very difficult. If the bed has too much power, i.e. - wants to close - you can easily decrease your bed's lifting power by using a socket wrench or driver. Turn the Hex Head to the right to move the ball stud to a smaller number - from five to four, or four to three. Be sure to adjust BOTH SIDES equally. Remember: SMALL adjustments make BIG, BIG differences in your bed's lifting power.



Narrowest Gap

**STEP 18:**

Close bed. If the gap around the bed is uneven, push or gently kick the base of the CABINET on the side with the NARROWEST gap until desired gap is obtained.

STEP 19:

Close bed. Apply base molding (if applicable) from outside of vertical to outside of vertical.

PROBLEM SOLVING

Q: The gas spring won't hand-compress... has it "frozen up?"

A: The design and construction of the gas spring's internal parts won't allow it to "freeze up." Each piston contains as much as 240 pounds of pressure, so they cannot be compressed by hand. Please refer to ASSEMBLY BOOKLET, page 7 - step 12.

Q: The bed is very hard to open and it wants to spring closed.

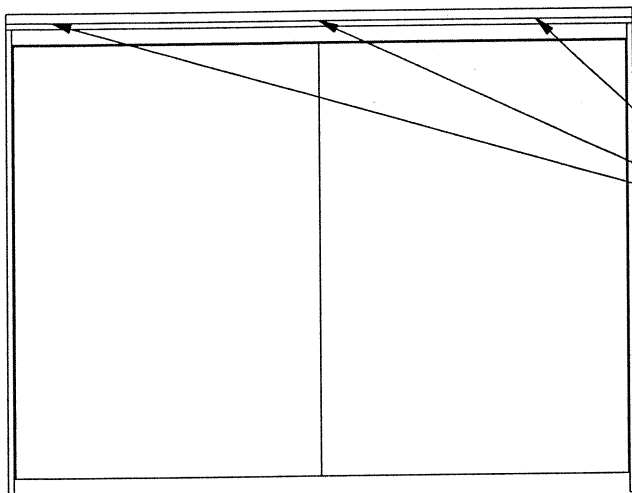
A: Your mechanism is designed to have the optimum mechanical leverage to comfortably raise and lower the bed. Place the mattress on the bed. The mattress is the counter-balance, i.e., this is what offsets the force of the piston.

Q: I've assembled the bed and attached it to the wall, but the bed face panel sags out of the cabinet... what do I do now?

A: The mounting positions of the upper or the lower ball stud plates are incorrect. Check your measurements on PAGES 15, 16, 22 and 23. Remember... the measurements in the Orange (particle board) book ARE DIFFERENT from the measurements in the Green (plywood) book. If the face panel sags out of the cabinet and you FORCE it closed you will damage the head of the gas spring.

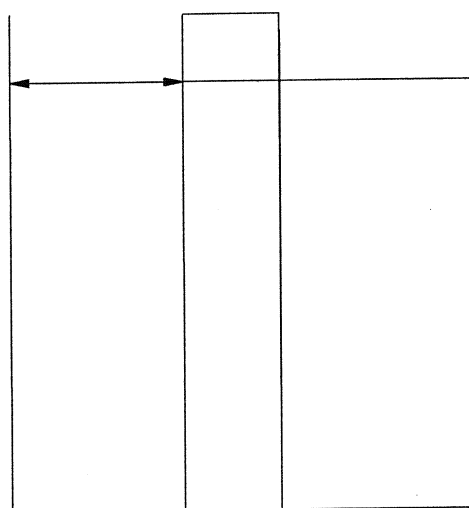
REPLACING THE COUNTER BALANCE GAS SPRING

DO NOT ATTEMPT To Compress the gas spring by any other means than the one described in the step below.



STEP 1.

Remove the mattress and with the bed in the upright, closed position, remove the anchor screws from the top of the bed cabinet. **Do not** remove the anchor screws with the bed in the open position.

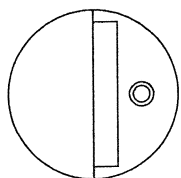


STEP 2.

Place the bed cabinet 2 to 3 feet away from the wall, allowing enough room to comfortably work behind the bed cabinet.

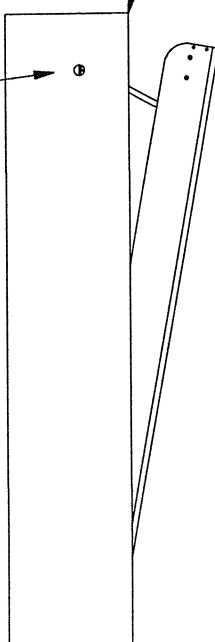
STEP 3.

With a helper **SECURELY** holding the bed cabinet, lower the bed 4 to 5 inches out of the cabinet.



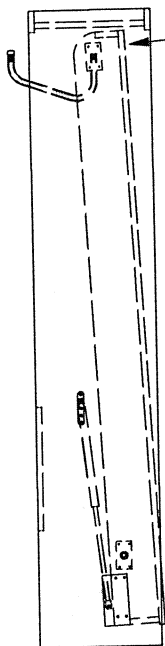
STEP 4.

Working from the back of the bed, remove the screws and bed stops.

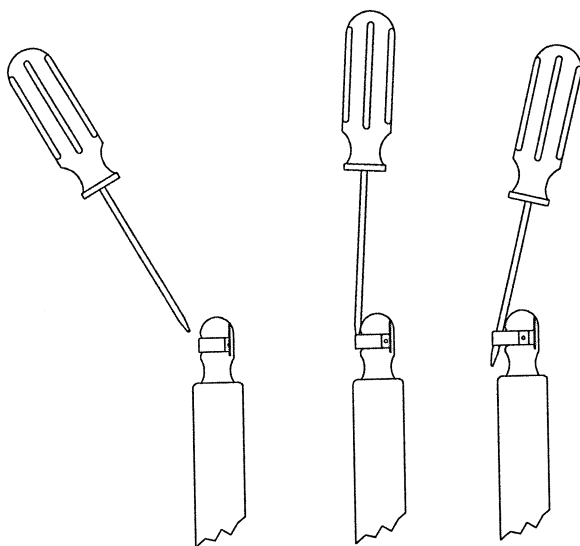


STEP 5.

With your helper **STILL HOLDING THE BED CABINET**, allow the bed to pull back into the bed cabinet. It will recess about 3 inches into the bed cabinet.

**STEP 6.**

At this point, the piston can be removed and replaced **ONE AT A TIME**.

**STEP 7.**

With the tension off of the piston -i.e.- with the piston fully extended and using a flat blade screwdriver, gently pry up on the spring clip located around the plastic head of the piston. Now just pull the piston off - **REMEMBER** the spring clip isn't removed, just opened.

STEP 8.

At this point, the new gas spring can be installed. Simply snap the new gas spring on the lower ball stud located on the bed rail - then the upper ball stud located on the bed vertical. **BE SURE TO ORIENT THE GAS SPRING CORRECTLY** by referring to the label on the gas spring. (**MOUNT THIS END UP**)

STEP 9.

Repeat on the other side of the bed.

STEP 10.

Replace both bed stops and screws.

STEP 11.

Place the bed cabinet back against the wall and replace the screws, **MAKING SURE THE BED IS SECURELY FASTENED TO THE WALL.**

