

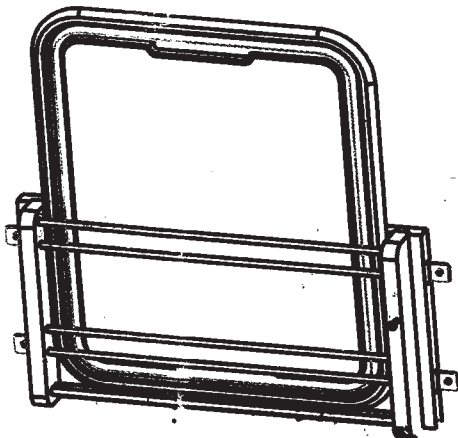
Dear Consumer:

This cutting board is a carefully specified and manufactured kitchen accessory that requires proper care and handling to maximize its life expectancy.

The Cutting Board is:

- * Lightweight, high density polyethylene.
- * Non-Abrasive, reduces the dulling of cutting boards.
- * Approved by FDA (Food and Drug Administration) Item 2.1 Reg # 2ICRF177.1520.
- * Manufactured with high capacity juice grooves.
- * Approved by the National Sanitation Foundation No. 721.
- * Not going to warp & crack like wood cutting boards.
- * Enhanced with non-skid, dishwasher safe rubber feet attached with stainless steel screws.
- * Able to be cleaned thoroughly, eliminating the bacteria and odor problems associated with traditional wood cutting boards.
- * Dishwasher safe up to 180° F.

IMPORTANT! Will not withstand sustained exposure to temperatures in excess of 180° F.



You cannot set items such as hot pots or pans on this cutting board without causing damage to the surface.