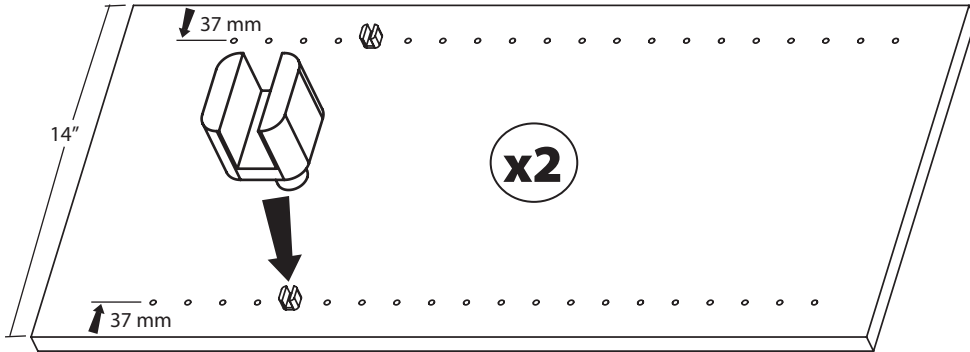




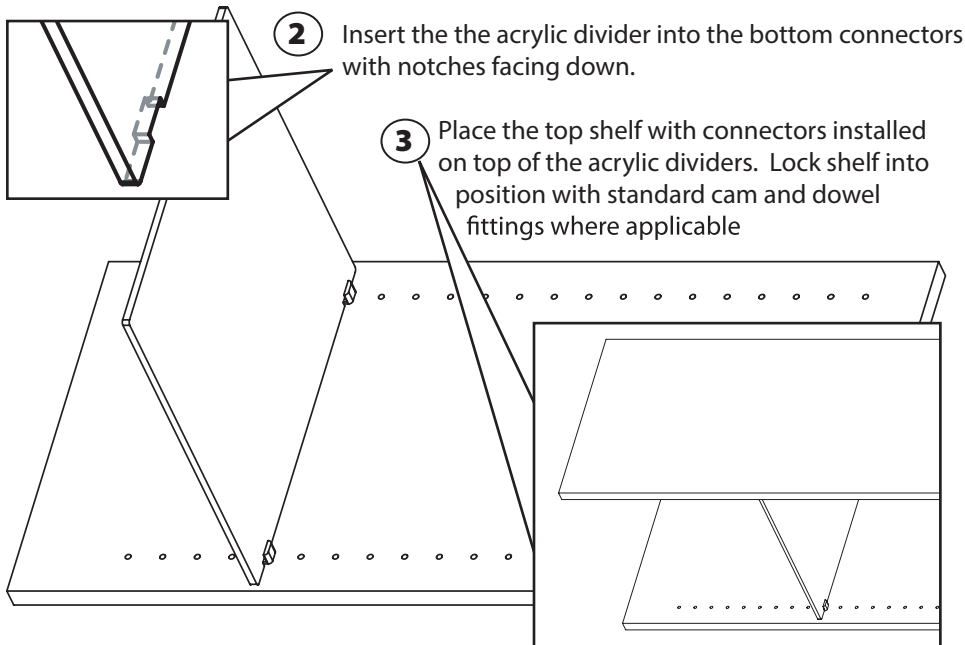
ACRYLIC DIVIDERS INSTALLATION INSTRUCTIONS

I-CSPD



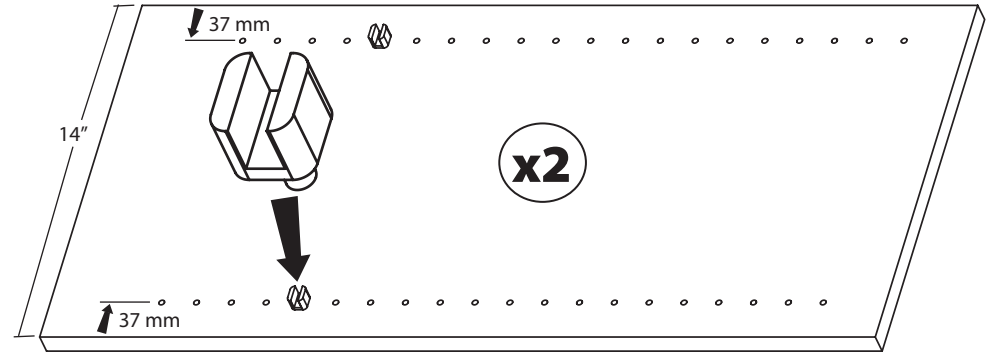
1

Insert the connectors in the desired system holes on the shelf bottom. Repeat on the underside of the top shelf.



ACRYLIC DIVIDERS INSTALLATION INSTRUCTIONS

I-CSPD



1

Insert the connectors in the desired system holes on the shelf bottom. Repeat on the underside of the top shelf.

