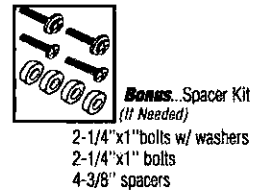
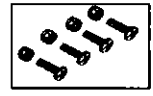
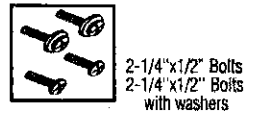
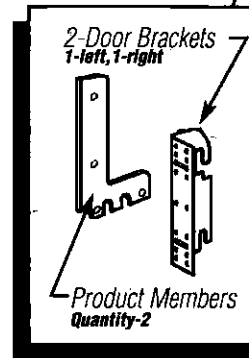
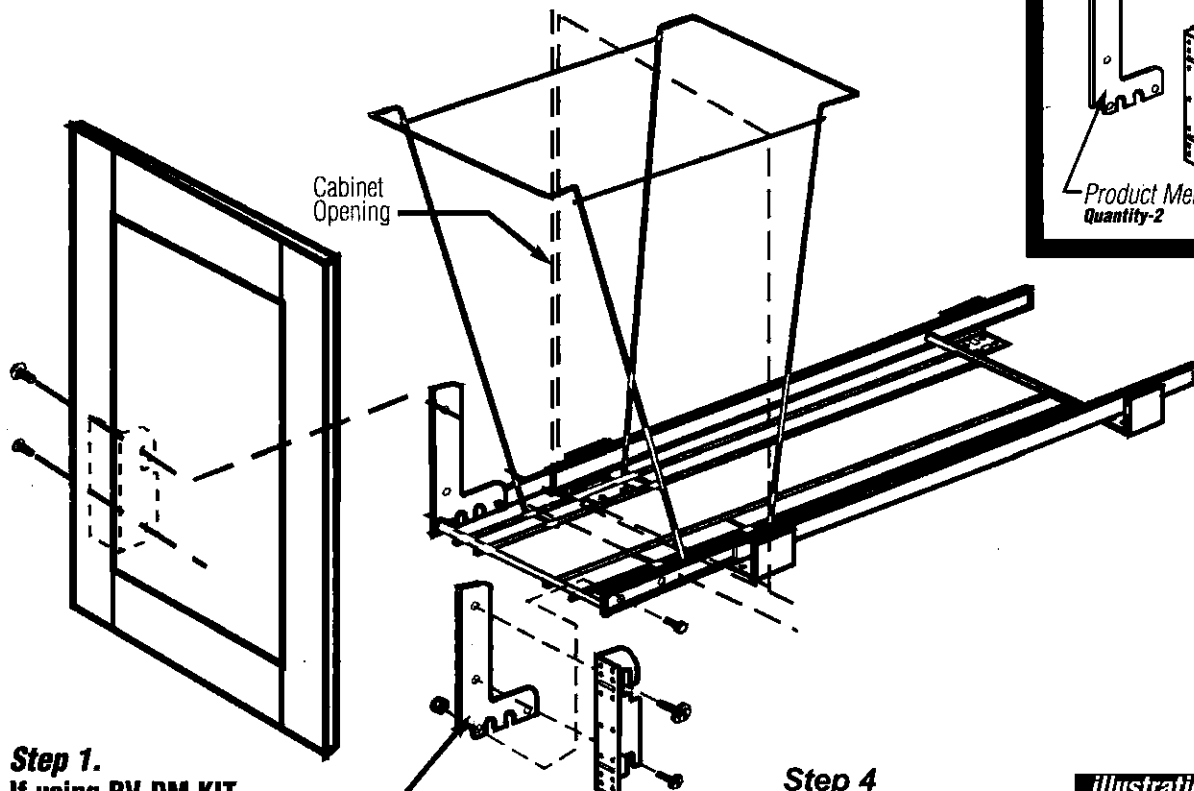


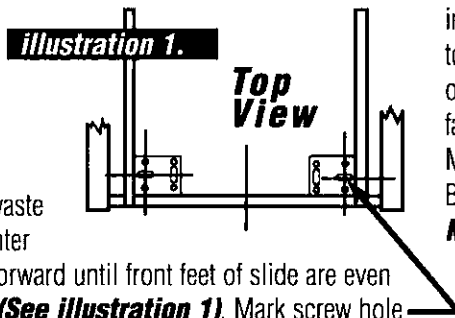
# INSTALLATION INSTRUCTIONS

for RV Series Pull-Out Waste Containers WITH

## Door Mounting Brackets



**Step 1.**  
If using RV-DM KIT, mount **Product Member** to slides using #10 x 1/2" truss head screw and nylock nut. **NOTE:** Screws only come in RV-DM KIT.



**Step 2**  
Mark center point of cabinet opening with pencil. Position waste container frame assembly in center of cabinet opening. Slide unit forward until front feet of slide are even with back of cabinet face frame (**See illustration 1**). Mark screw hole locations in center of horizontal slots on slide feet and attach front slide feet to cabinet floor using #8 x 3/4" screws. (**See illustration 1**).

**Step 3**  
Make sure basket and slide assembly is in closed position. This will automatically position the rear feet of the slides. Mark screw hole locations in center of horizontal slots on slide feet with pencil and attach rear slide feet to cabinet floor using #8 x 3/4" screws. Supplied with Waste Containers.

### Installing Door Brackets on Cabinet Door

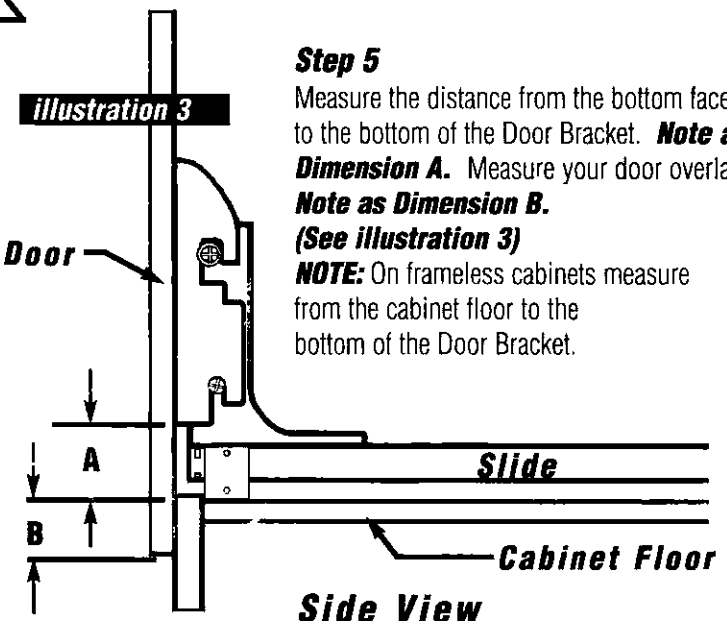
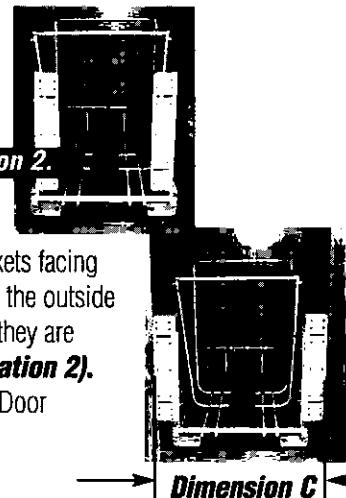
Due to the many different door styles, overlays, and cabinet constructions, the Rev-A-Shelf RV Door Mount Brackets provide the ultimate in flexibility for ensuring that the positioning of the hole pattern on the door bracket installs with the thick portion of any cabinet door frame. Thus, eliminating any need for adding a sub-door panel.

### Step 4

If your waste container came with the RV Door Mount Brackets installed, the unit will have the Door Brackets facing toward each other. Loosen two screws on the outside of Door Brackets and reverse brackets so they are facing away from each other (**See illustration 2**). Measure outside to outside dimension of Door Brackets.

**Note as Dimension C.**

**illustration 2.**



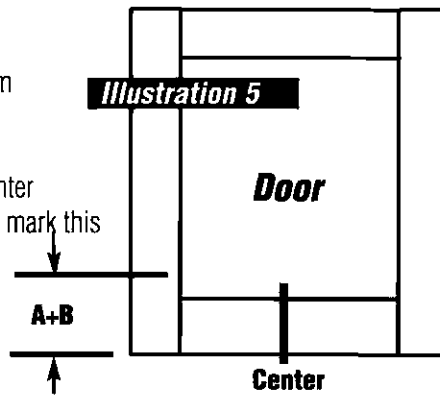
### Step 5

Measure the distance from the bottom face of the door to the bottom of the Door Bracket. **Note as Dimension A.** Measure your door overlap. **Note as Dimension B.** (**See illustration 3**) **NOTE:** On frameless cabinets measure from the cabinet floor to the bottom of the Door Bracket.

### Step 6

Add Dimension A and Dimension B together. Measure this distance from bottom of the inside of your cabinet door and mark a horizontal line.

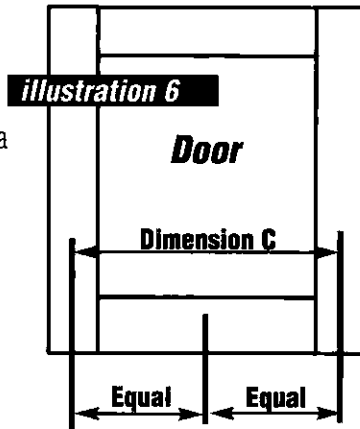
**(See illustration 5).** Measure center point on inside of cabinet door and mark this point as well.



### Step 7

Take Dimension C (from Step 4) and divide it by two. Measure this distance to the left of the center point on the inside of the cabinet door and make a vertical line. Measure this distance to the right of the center point on the inside of the cabinet door and make another vertical line

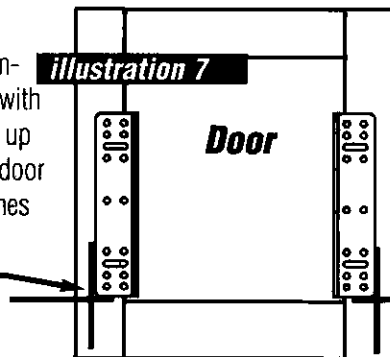
**(See illustration 6)**



### Step 8

Remove Door Brackets from product members and screw to inside of cabinet door with #6 x 1/2" flat head screws. **NOTE:** Line up door bracket to cabinet door by aligning door bracket with the vertical and horizontal lines you have marked in Steps 6 & 7.

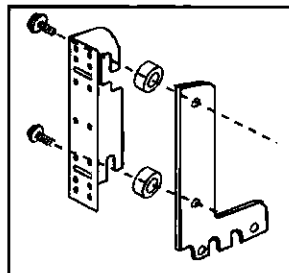
**(See illustration 7)**



### Helpful Hints:

There are several different ways to mount the Door Brackets to your cabinet door ensuring that you are mounting to the thick portion of the door.

For instance, spacers can be used when mounting Door Brackets to the Product Members (spacer kit included). The Door Bracket can also be installed on the inner side of the Product Member.



### Step 9

Hang door with brackets attached on the mounting screws on to the product members. Tighten bottom screws securely. Tighten top screws (with washer) snugly allowing for future adjustment.

**(See illustration 8)**



### Step 10.

Be sure bumper pads are installed to all four corners of door. Push door closed and apply pressure to all four corners making sure door is flush with cabinet.

**(See illustration 9).**



### Step 11.

Pulling from bottom, pull door open.

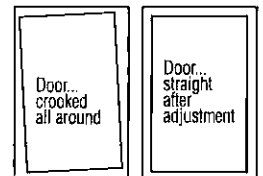
**(See illustration 10).**

Securely tighten top screws.

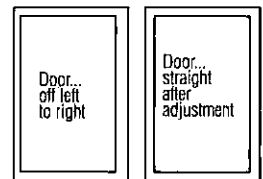


### Step 12.

If your cabinet door is not straight (even all around) you can adjust it by loosening the screws on one of the sides, properly align the cabinet door and re-tighten the screws.



If your door is parallel but slightly off center. Loosen screws that attach the slide mounting feet to the cabinet floor, slide assembly sideways as needed and re-tighten screws.



2409 Plantside Drive  
Jeffersontown, KY 40299

800-626-1126

502-491-2215 fax