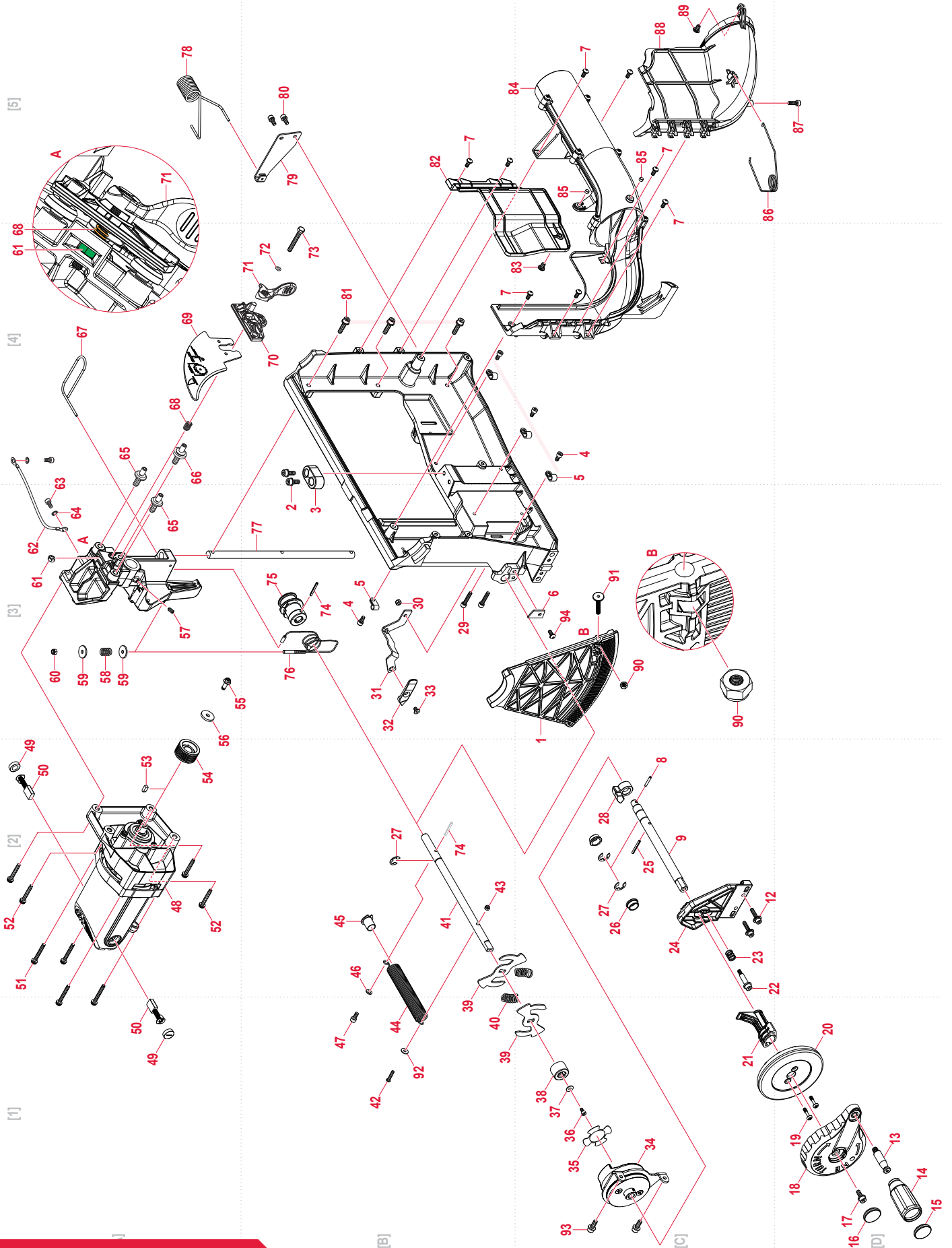


INTERNAL ASSEMBLY



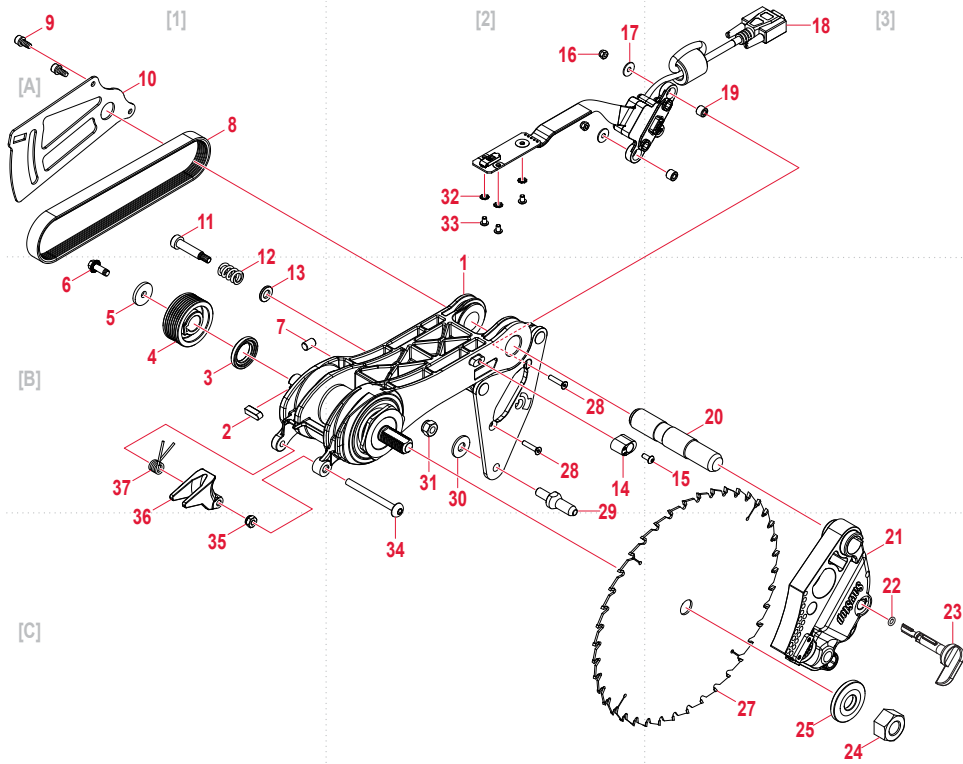
INTERNAL ASSEMBLY PARTS LIST

| ITEM | DESCRIPTION | P/N | QTY. |
|------|---|---------|------|
| 1 | Tilt Angle Rack [C3] | JSS-137 | 1 |
| 2 | M6x1.0x16 Socket Head Cap Combination Screw [B4] | JSS-138 | 2 |
| 3 | Arbor Bumper [B4] | JSS-139 | 1 |
| 4 | M5x0.8x10 Socket Head Cap Screw [B3] [C4] | JSS-140 | 4 |
| 5 | 6.3mm Cable Clamp [B3] [C3] | JSS-141 | 4 |
| 6 | Tilt Rack Retaining Bracket [C3] | JSS-142 | 1 |
| 7 | M5x0.8x12 Button Head Socket Combination Screw [B5] [C4] [C5] | JSS-143 | 8 |
| 8 | Spring Pin (3mm x 20mm) [C2] | JSS-144 | 1 |
| 9 | Elevation Input Shaft [C2] | JSS-145 | 1 |
| 12 | M5x0.8x25 Socket Head Cap Combination Screw [C2] | JSS-148 | 2 |
| 13 | Handwheel Handle Post [D1] | JSS-149 | 1 |
| 14 | Handwheel Handle [D1] | JSS-150 | 1 |
| 15 | Handwheel Cap [D1] | JSS-151 | 1 |
| 16 | Handwheel Cap [D1] | JSS-152 | 1 |
| 17 | M6x1.0x16 Socket Head Cap Combination Screw [D1] | JSS-153 | 1 |
| 18 | Handwheel [D1] | JSS-154 | 1 |
| 19 | M5x1.59x16 Pan Head Phillips Screw [D1] | JSS-155 | 2 |
| 20 | Tilt Lock Handle [D1] | JSS-156 | 1 |
| 21 | Tilt Lock Sleeve [C1] | JSS-157 | 1 |
| 22 | M5x0.8 Socket Head Shoulder Screw (7mm x 23mm) [C2] | JSS-158 | 1 |
| 23 | Tilt Locking Spring [C2] | JSS-159 | 1 |
| 24 | Tilt Locking Plate [C2] | JSS-160 | 1 |
| 25 | Spring Pin (5mm x 28mm) [C2] | JSS-161 | 1 |
| 26 | Bushing (14mm x 17mm x 6mm) [C2] | JSS-162 | 2 |
| 27 | 14mm E-Style Retaining Ring [B2] [C2] | JSS-163 | 3 |
| 28 | Elevation Limit Collar [C2] | JSS-164 | 1 |
| 29 | M5x0.8x25 Socket Head Cap Screw [B3] | JSS-165 | 2 |
| 30 | M5x0.8 Lock Nut [B3] | JSS-166 | 1 |
| 31 | Tilt Indicator Bracket [B3] | JSS-167 | 1 |
| 32 | Tilt Indicator [B3] | JSS-168 | 1 |
| 33 | M5x0.8x8 Red Flat Head Socket Screw [B3] | JSS-169 | 1 |
| 34 | Backdrive Prevention Assembly [C1] | JSS-170 | 1 |
| 35 | Coupler Seal [C1] | JSS-171 | 1 |
| 36 | M4x0.7x8 Socket Head Cap Screw [C1] | JSS-172 | 1 |
| 37 | M4x10x1 Washer [C1] | JSS-173 | 1 |
| 38 | Elevation Control Shaft Coupler [C1] | JSS-174 | 1 |
| 39 | Shock Spring Mounting Plate [B2] [C1] | JSS-175 | 2 |
| 40 | Shock Compression Spring [B1] [C2] | JSS-176 | 2 |
| 41 | Elevation Control Shaft [B2] | JSS-177 | 1 |
| 42 | M4x0.7x20 Button Head Socket Screw [B1] | JSS-178 | 1 |
| 43 | M4x0.7 Lock Nut [B2] | JSS-179 | 1 |
| 44 | Elevation Balance Spring [B1] | JSS-180 | 1 |
| 45 | Elevation Spring Bushing [B2] | JSS-181 | 1 |
| 46 | M5x10x1 Washer [B2] | JSS-182 | 1 |
| 47 | M5x0.8x12 Button Head Socket Screw [B1] | JSS-183 | 1 |
| 48 | 120V, 60Hz Motor (JSS-120A60 and JSS-120A60A) [A2] | JSS-184 | 1 |
| | 230V, 50Hz Motor (JSS-230A50I) [A2] | JSS-311 | 1 |
| 49 | Motor Brush Cap [A1] [A2] | JSS-185 | 2 |

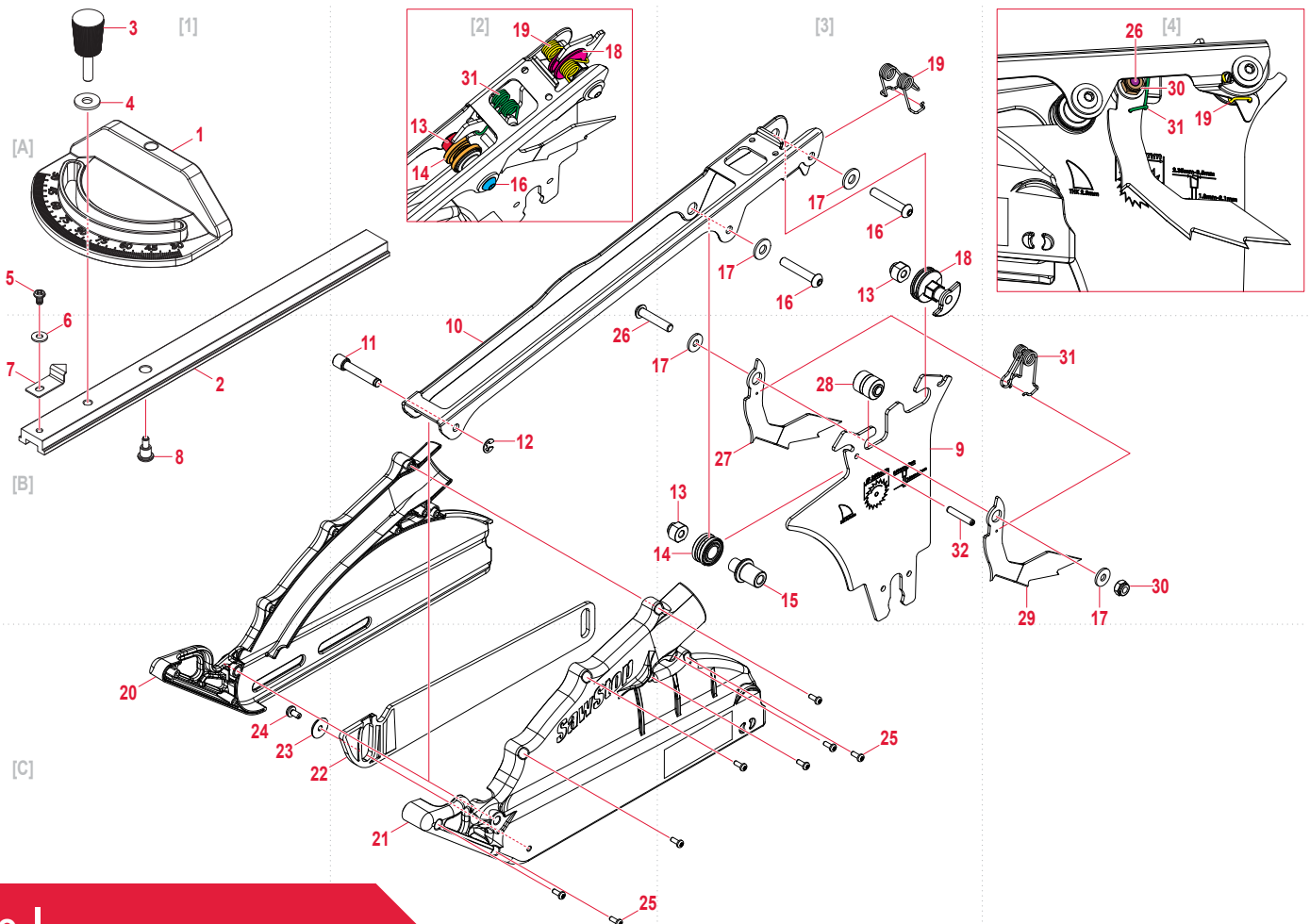
| ITEM | DESCRIPTION | P/N | QTY. |
|------|---|---------|------|
| 50 | Motor Brush [A1] [A2] | JSS-186 | 2 |
| 51 | M5x0.8x35 Pan Head Phillips Combination Screw [A2] | JSS-187 | 4 |
| 52 | M6x1.0x25 Socket Head Cap Combination Screw [A2] | JSS-188 | 4 |
| 53 | M5x5x12 Key [A2] | JSS-189 | 1 |
| 54 | Motor Pulley [A2] | JSS-190 | 1 |
| 55 | M6x1.0x16 Flange Head Phillips Screw [A3] | JSS-191 | 1 |
| 56 | M6x23x3 Washer [A3] | JSS-192 | 1 |
| 57 | M5x0.8x12 Set Screw [A3] | JSS-193 | 1 |
| 58 | Cable Tensioning Spring [A3] | JSS-194 | 1 |
| 59 | M5x16x3 Washer [A3] | JSS-195 | 2 |
| 60 | M5x0.8 Lock Nut [A3] | JSS-196 | 1 |
| 61 | M6x1.0 hex Nut [A3] | JSS-197 | 1 |
| 62 | Trunnion Grounding Wire [A3] | JSS-198 | 1 |
| 63 | M5x0.8x10 Socket Head Cap Screw [A3] [A4] | JSS-199 | 2 |
| 64 | M5 External Tooth Lock Washer [A3] [A4] | JSS-200 | 2 |
| 65 | Spreader Mounting Pin [A3] | JSS-201 | 2 |
| 66 | Spreader Locating Pin [A4] | JSS-202 | 1 |
| 67 | Shipping Pin [A4] | JSS-203 | 1 |
| 68 | Spreader Clamp Spring [A4] | JSS-204 | 1 |
| 69 | Riving Knife (10" Blade) [A4] | JSS-442 | 1 |
| | Riving Knife (250 mm Blade) [A4] | JSS-443 | 1 |
| 70 | Spreader Clamp Plate [B4] | JSS-206 | 1 |
| 71 | Spreader Clamp Handle [B4] | JSS-207 | 1 |
| 72 | M6 Polyurethane O-Ring [B4] | JSS-208 | 1 |
| 73 | M6x1.0x45 hex Head Bolt [B4] | JSS-209 | 1 |
| 74 | Spring Pin (3mm x 28mm) [B3] | JSS-210 | 1 |
| 75 | Elevation Control Pulley [B3] | JSS-211 | 1 |
| 76 | Elevation Cable [B3] | JSS-212 | 1 |
| 77 | Elevation Shaft [B3] | JSS-465 | 1 |
| 78 | Counterbalance Spring [A5] | JSS-214 | 1 |
| 79 | Counterbalance Spring Bracket [B5] | JSS-215 | 1 |
| 80 | M5x0.8x12 Socket Head Cap Combination Screw [B5] | JSS-216 | 2 |
| 81 | M6x1.0x25 Socket Head Cap Combination Screw [B4] | JSS-217 | 3 |
| 82 | Rear Blade Shroud [B5] | JSS-218 | 1 |
| 83 | M6x1.0x9.5 Insert Leveling Screw [C4] | JSS-219 | 1 |
| 84 | Dust Shroud Base [C5] | JSS-220 | 1 |
| 85 | Dust Shroud Magnet [C5] | JSS-221 | 2 |
| 86 | Dust Shroud Door Spring [C5] | JSS-222 | 1 |
| 87 | M5x0.8x16 Socket Head Cap Screw [D5] | JSS-223 | 1 |
| 88 | Dust Shroud Door [C5] | JSS-224 | 1 |
| 89 | M6x1.0x9.5 Insert Leveling Screw [C5] | JSS-225 | 1 |
| 90 | M6x1.0 Lock Nut [C3] | JSS-226 | 1 |
| 91 | Tilt Angle Rack Adjustment Screw [C3] | JSS-227 | 1 |
| 92 | M4x10x1 Washer [B1] | JSS-228 | 1 |
| 93 | M6x1.0x16 Socket Head Cap Combination Screw [C1] | JSS-229 | 2 |
| 94 | M5x0.8x12 Button Head Socket Combination Screw [C3] | JSS-230 | 1 |

Coordinates in square brackets [] correspond to the grid in the exploded view.

ARBOR ASSEMBLY



BLADE GUARD AND MITER GAUGE ASSEMBLY



ARBOR ASSEMBLY PARTS LIST

| ITEM | DESCRIPTION | P/N | QTY. |
|------|--|---------|------|
| 1 | Arbor Block Assembly (includes items 1-7, 11-18, 25-34) [B2] | JSS-444 | 1 |
| 2 | M6x6x18 Key [B1] | JSS-232 | 1 |
| 3 | Arbor Spacer [B1] | JSS-233 | 1 |
| 4 | Arbor Pulley [B1] | JSS-234 | 1 |
| 5 | M6x23x3 Washer [B1] | JSS-235 | 1 |
| 6 | M6x1.0x16 Flange Head Phillips Screw [B1] | JSS-236 | 1 |
| 7 | Retraction Guide Pin [B1] | JSS-237 | 1 |
| 8 | Belt (Replacement Kit) [A1] | JSS-238 | 1 |
| 9 | M5x0.8x12 Socket Head Cap Combination Screw [A1] | JSS-239 | 2 |
| 10 | Retraction Bracket [A1] | JSS-240 | 1 |
| 11 | M6x1.0 Socket Head Shoulder Bolt (8mm x 33mm) [A1] | JSS-241 | 1 |
| 12 | Retraction Spring [B1] | JSS-242 | 1 |
| 13 | M8x16x2 Washer [B1] | JSS-243 | 1 |
| 14 | Blade Diameter Limit Stop [B2] | JSS-446 | 1 |
| 15 | M4x0.7x12 Button Head Socket Screw [B3] | JSS-447 | 1 |
| 16 | M4x0.7 Lock Nut [A2] | JSS-244 | 2 |
| 17 | M4x14x1 Washer [A2] | JSS-245 | 2 |
| 18 | Cartridge Cable Assembly [C3] | JSS-246 | 1 |

| ITEM | DESCRIPTION | P/N | QTY. |
|------|--|-----------|------|
| 19 | Cartridge Bracket Spacer [A3] | JSS-247 | 2 |
| 20 | Arbor Pivot Shaft [B3] | JSS-248 | 1 |
| 21 | Brake Cartridge [C3] | TSBC-10R2 | 1 |
| 22 | Cartridge Key O-Ring [C3] | JSS-250 | 1 |
| 23 | Cartridge Key (includes item 22) [C3] | JSS-251 | 1 |
| 24 | Arbor Nut [C3] | JSS-252 | 1 |
| 25 | Arbor Washer [C3] | JSS-448 | 1 |
| 27 | 10" Combination Saw Blade [C3] | JSS-254 | 1 |
| 28 | M4x0.7x20 Flat Head Socket Screw [B2] | JSS-255 | 2 |
| 29 | Cartridge Positioning Pin [B2] | JSS-256 | 1 |
| 30 | M8x16x2 Washer [B2] | JSS-257 | 1 |
| 31 | M8x1.25 Lock Nut [B2] | JSS-258 | 1 |
| 32 | M4 External Tooth Washer [A2] | JSS-259 | 3 |
| 33 | M4x0.7x6 Button Head Socket Screw [A2] | JSS-260 | 3 |
| 34 | M6x1.0 Alignment Block Bolt [B2] | JSS-261 | 1 |
| 35 | M6x1.0 Lock Nut [C1] | JSS-262 | 1 |
| 36 | Alignment Block [B1] | JSS-263 | 1 |
| 37 | Block Alignment Spring [B1] | JSS-264 | 1 |

Coordinates in square brackets [] correspond to the grid in the exploded view.

BLADE GUARD AND MITER GAUGE ASSEMBLY PARTS LIST

| ITEM | DESCRIPTION | P/N | QTY. |
|------|--|-------------|------|
| N/A | Miter Gauge Assembly (includes items 1-8) | JSS-265 | 1 |
| 1 | Miter Gauge Head [A1] | JSS-266 | 1 |
| 2 | Miter Gauge Bar [B1] | JSS-267 | 1 |
| 3 | Miter Gauge Handle [A1] | JSS-268 | 1 |
| 4 | M6x16x1.6 Washer [A1] | JSS-269 | 1 |
| 5 | M4x0.7x6 Pan Head Phillips Screw [A1] | JSS-270 | 1 |
| 6 | M4x10x1 Washer [B1] | JSS-271 | 1 |
| 7 | Miter Gauge Angle Indicator [B1] | JSS-272 | 1 |
| 8 | M4x0.7 Pan Head Phillips Shoulder Screw (69mm x 63mm) [B1] | JSS-273 | 1 |
| N/A | Removable Dust Collection Guard | JSS-RDC | 1 |
| N/A | Complete Top Guard Assembly (includes items 10-25) | JSS-RDC-030 | 1 |
| 9 | Spreader [B3] | JSS-RDC-001 | 1 |
| 10 | Top Guard [B2] | JSS-RDC-003 | 1 |
| 11 | Grooved Clevis Pin (6mm x 42.5mm) [B2] | JSS-RDC-004 | 1 |
| 12 | 6mm E-Style Retaining Ring [B2] | JSS-RDC-005 | 1 |
| 13 | Internally Threaded Sleeve [A3] | JSS-RDC-006 | 2 |
| 14 | Lateral Guide Wheel [B3] | JSS-RDC-007 | 1 |
| 15 | Lateral Guide Axle [B3] | JSS-RDC-008 | 1 |
| 16 | M6x1.0x40 Button Head Socket Bolt [A3] | JSS-RDC-009 | 2 |

| ITEM | DESCRIPTION | P/N | QTY. |
|------|--|-------------|------|
| 17 | M6x16x1.5 Washer [B4] | JSS-RDC-010 | 4 |
| 18 | Height Adjustment Wheel [A3] | JSS-RDC-011 | 1 |
| 19 | Top Guard Spring [A3] | JSS-RDC-012 | 1 |
| 20 | Front Left Side Guard [C1] | JSS-RDC-013 | 1 |
| 21 | Front Right Side Guard [C2] | JSS-RDC-014 | 1 |
| 22 | Middle Guard [C2] | JSS-RDC-015 | 1 |
| 23 | M4x16x3 Polycarbonate Custom Washer [C1] | JSS-RDC-016 | 1 |
| 24 | M4x1.6x10 Pan Head Phillips Screw [C1] | JSS-RDC-017 | 1 |
| 25 | M3x1.06x08 Pan Head Phillips Screw [C2] [C3] | JSS-RDC-018 | 8 |
| 26 | M6x1.0x30 Button Head Socket Bolt [B2] | JSS-RDC-019 | 1 |
| 27 | Anti-Kickback Pawl Left [B3] | JSS-RDC-020 | 1 |
| 28 | Pawl Bushing [B3] | JSS-RDC-021 | 1 |
| 29 | Anti-Kickback Pawl Right [B4] | JSS-RDC-022 | 1 |
| N/A | Anti-kickback Pawl Assembly | JSS-RDC-031 | 1 |
| 30 | M6x1.0 Lock Nut [B4] | JSS-RDC-023 | 1 |
| 31 | Pawl Spring [B4] | JSS-RDC-024 | 1 |
| 32 | Spring Pin [B3] | JSS-RDC-029 | 1 |

Coordinates in square brackets [] correspond to the grid in the exploded view.