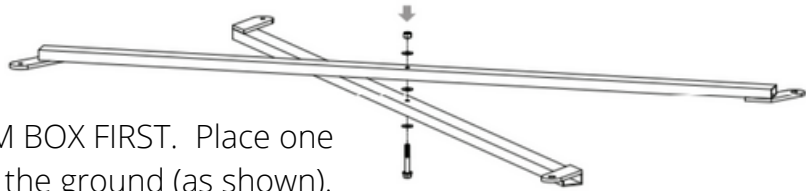


# PDREX3 Assembly Instructions



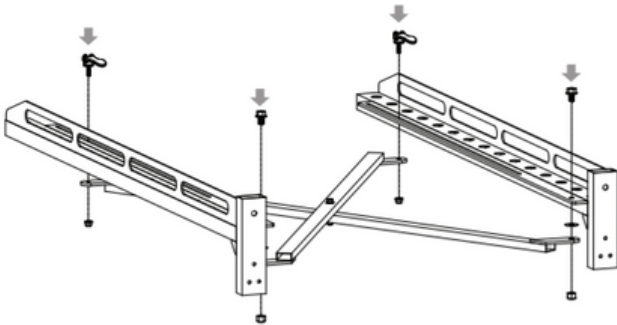
## Step 1

OPEN THE PDREX.M BOX FIRST. Place one scissor crossbar on the ground (as shown). Attach the crossbar in the center using the nylon washers between the tubes and supplied bolts



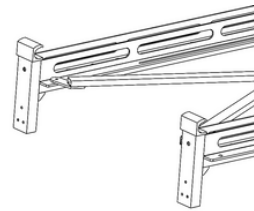
## Step 2

Place 1 of the PDREX.M (uprights) on the ground as shown either the left or right of the PDREX. Attach the scissor connectors



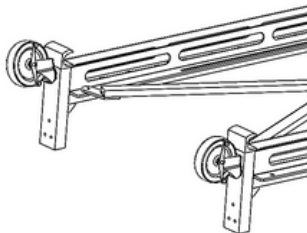
## Step 3

Add the lower connectors to the back as shown.



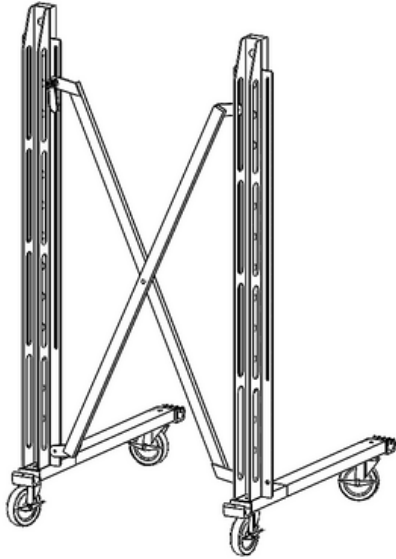
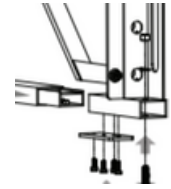
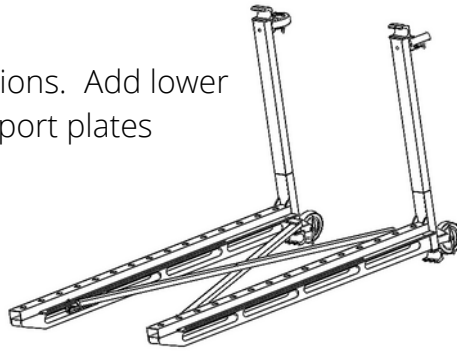
## Step 4

Add the casters and secure with 1/2-13 nuts



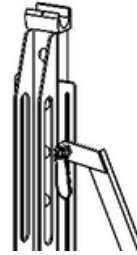
## Step 5

Carefully flip the connected middle sections. Add lower connectors and casters. And support plates



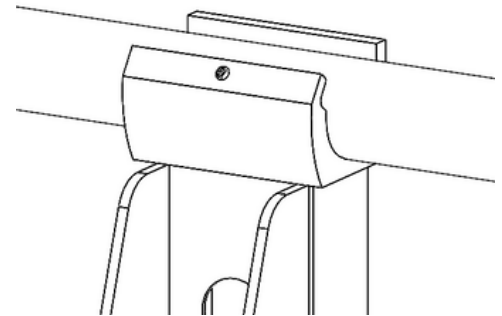
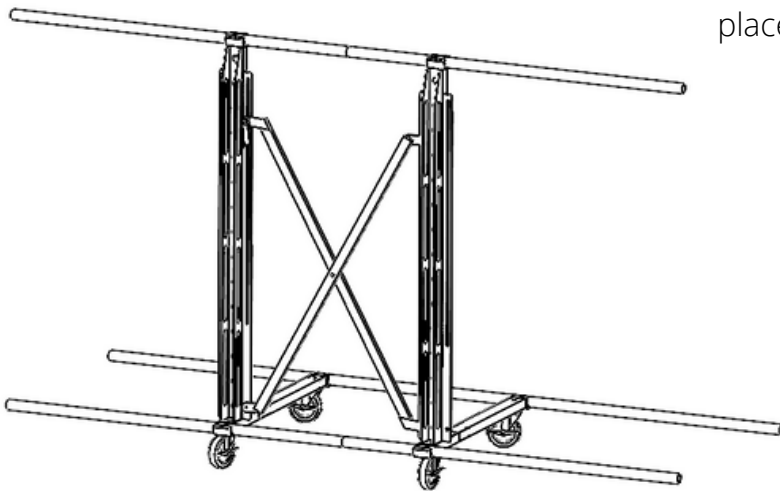
## Step 6

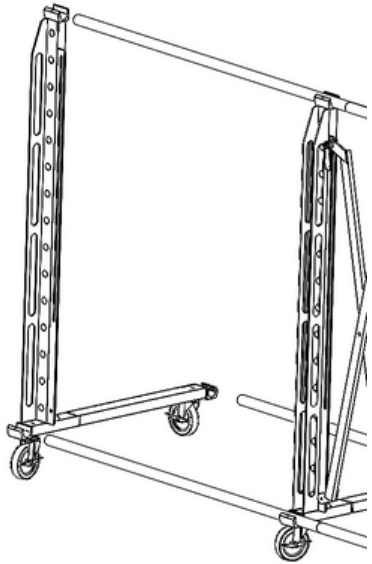
Stand the middle section up and add the upper connectors.



## Step 7

Add 2 PDREX.T tube sections and secure in place with 1/4-20 thumb screws



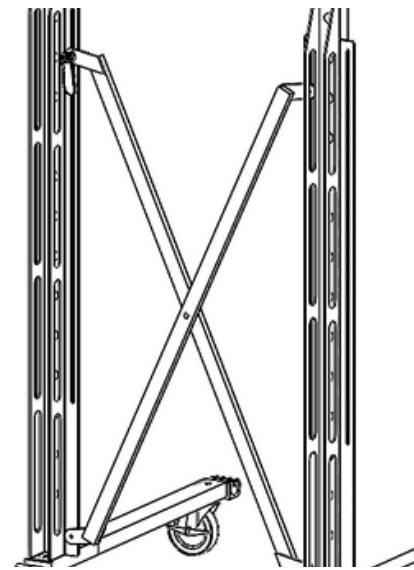
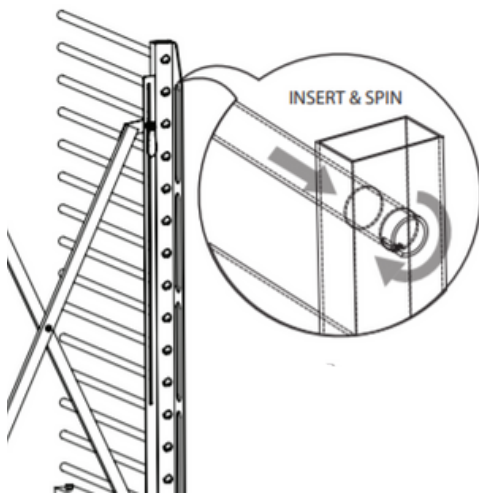


## Step 8

Build outer third section, then secure in place using the tube connectors.

## Step 9

Add the second scissor connector.



## Step 10

Add 1" Round Shelves.