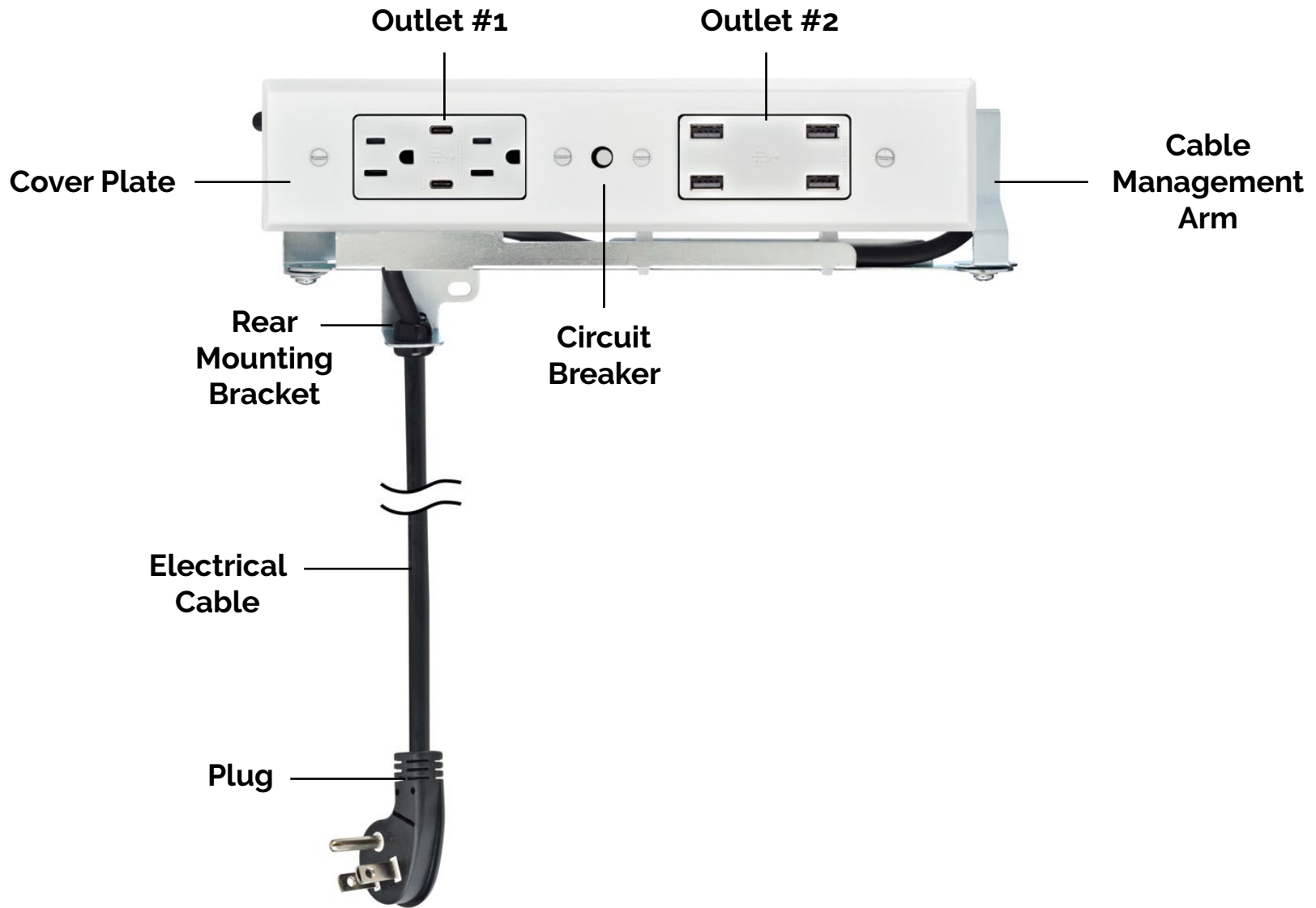


Docking Drawer Blade Duo

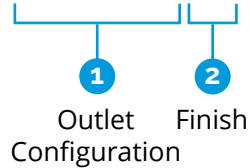
Anatomy of a Docking Drawer Blade Duo



Docking Drawer Blade Duo

Understanding Docking Drawer Part Numbers

0290-30100W



1 Outlet Configuration

30100 - 2 AC & 6 USB-A

30101 - 8 USB-A

30102 - 2 AC, 2 USB-C & 4 USB-A

30400 - 4 AC & 4 USB-A

30402 - 4 AC & 4 USB-C

2 Finish

- Black

W - White

S - Stainless Steel

Docking Drawer Blade Part Numbers

	2 AC & 6 USB-A	0290-30100
	8 USB-A	0290-30101
	2 AC, 2 USB-C & 4 USB-A	0290-30102
	4 AC & 4 USB-A	0290-30400
	4 AC & 4 USB-C	0290-30402

**BEST
SELLER**

Docking Drawer Blade Duo

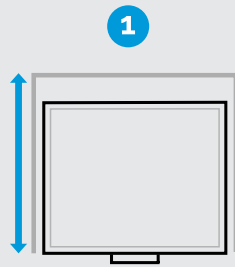
Features	
Electrical Listing	ETL Listed, <u>CSA Listed</u> (0290-30101 - 8 USB-A)
Country of Use	Certified for use in the U.S. and Canada (0290-30101 is certified for use in Canada)
Interlocking Safety Features	Interlocking Circuit Breaker - prevents high powered devices, such as hair dryers, from being used
Electrical Connection	4 1/2' cord with a NEMA 5-15P plug
Cable Protection	Ultra flexible cable jacket and cable strain reliefs prevent tension and wear
Available Outlet Finishes	White, Black or Stainless Steel
Warranty	2 Years
Country of Origin	Made in Mexico

Outlet Specifications	
Tamper Resistant	Yes
2 AC & 2 USB-C	2AC: 3 amps @ 120 VAC USB-C (PD Device): 3 amps @ 9 VDC USB-C (Non-PD Device): 3 amps @ 5 VDC
2 AC & 2 USB-A	2AC: 3 amps @ 120 VAC USB: 3 amps @ 5 VDC
4 USB-A	4.2 amps @ 5 VDC

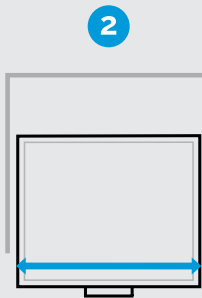
Docking Drawer Blade Duo

Will it Fit in My Cabinet?

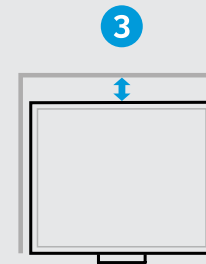
Our outlets come in a variety of sizes that offer different ranges of extensions. To find the size that works for you, first measure your cabinet.



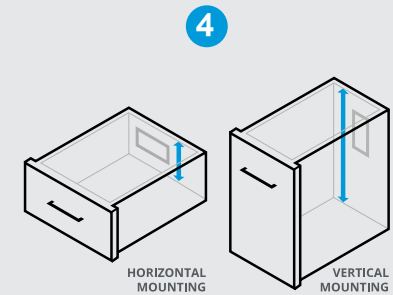
1 Start your project by measuring the cabinet's depth.



2 Measure the drawer box width (OD).



3 Then measure space available behind the drawer box.



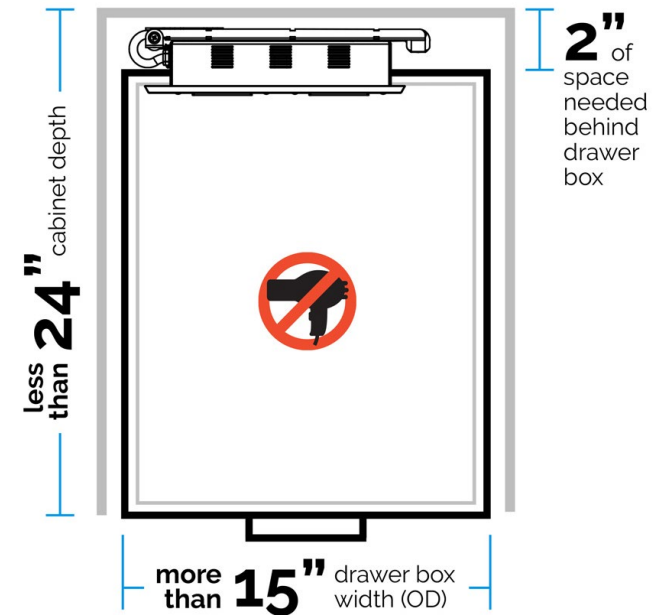
4 Then measure the interior drawer box height.

Horizontal Mounting Cabinet Specifications

1 Cabinet Depth	24" or less (635mm or less)
2 Minimum Drawer Box Width (OD)	15" or more (381mm or more)
3 Minimum space behind drawer box	2" or more (51mm or more)
4 Minimum interior drawer box height	3" or more (76mm or more)



Want to power a hair dryer? You may be interested in our **Style Drawer Blade** series of powering outlets.

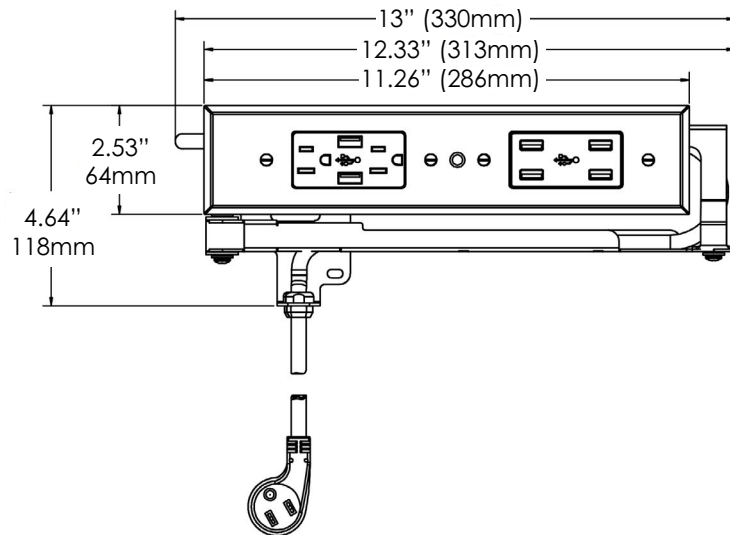


Docking Drawer Blade Duo

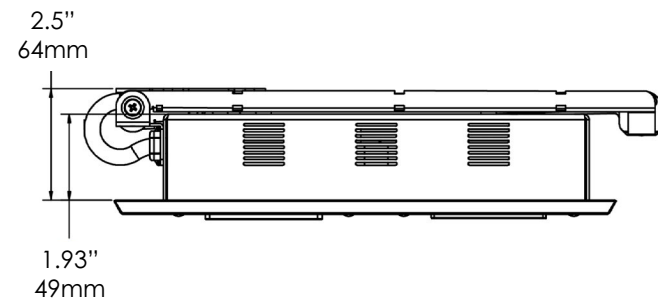
In-Drawer Outlet Dimensions

Outlet Width	13" (330mm)
Outlet Height	4.64" (118mm)
Outlet Depth	2.5" (64mm)
Receptacle Box Depth	1.93" (49mm)
Cover Plate Height	2.53" (64mm)
Cover Plate Width	11.26" (286mm)

Front View



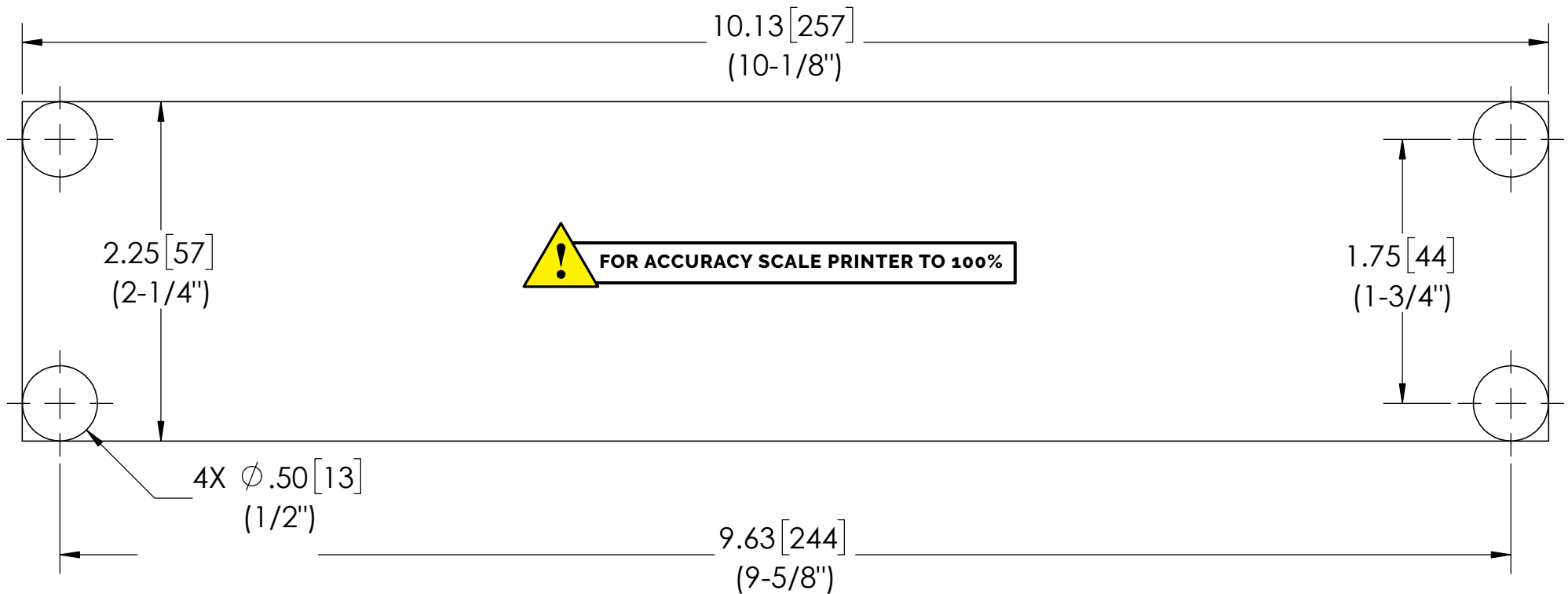
Top View



Docking Drawer Blade Duo

Cutout Template

Use the following cutout template for the receptacle box cutout on the back of your drawer box. For additional installation instructions, please reference the [Docking Drawer Blade Duo Installation Manual](#).



Measurements shown in:
inches [mm]
(inches fractional)

Docking Drawer Blade Duo

Electrical Planning Guide

Docking Drawer Blade Duo Charging Outlets are ETL Listed and comply with UL 962a (0290-30101 is also CSA Listed) when installed in accordance to the outlet's installation instructions. The following is a guide designed to provide steps for roughing-in an electrical supply for your outlet installation. Please also review the specific installation instructions for each outlet.

A licensed electrician needs to supply all electrical rough-ins to local building codes for your installation. A standard 15amp in-cabinet outlet is needed and can be located at the bottom of the cabinet or just under the drawer that the Docking Drawer is installed into, etc. Docking Drawer outlets cannot be plugged into dishwasher, disposal, instant hot water, or trash compactor outlets.

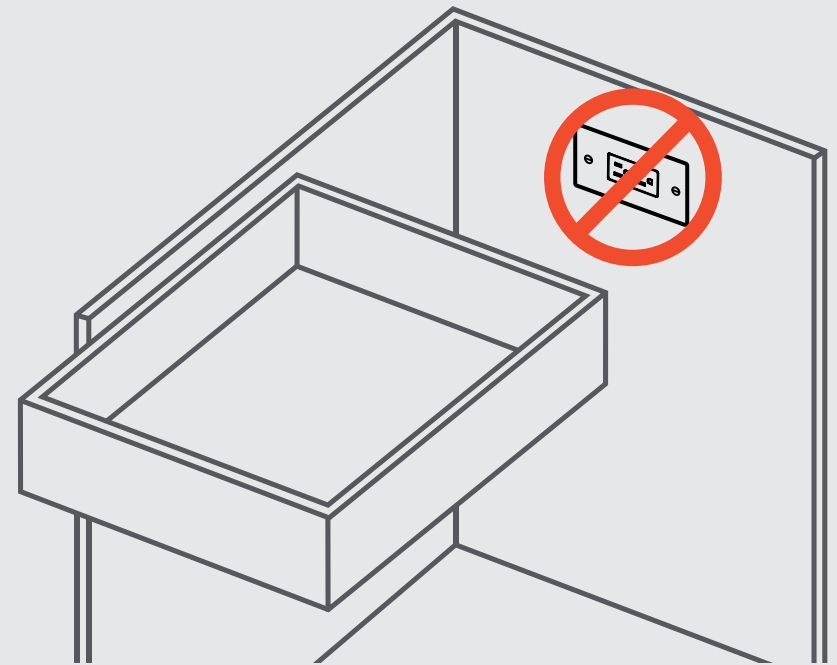


Need to Access our Electrical Certifications?

All of our electrical listing can be found [online in our Support Library](#).

Where NOT to Locate the In-Cabinet Electrical Supply

One location that we caution is directly behind the drawer where the cabinet is being installed. If this location is utilized, you must ensure that the in-cabinet outlet and wiring do not interfere with the Docking Drawer cable management arms or drawer slides.

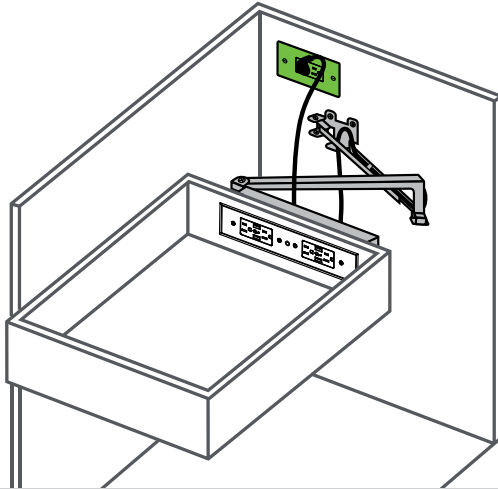


Docking Drawer Blade Duo

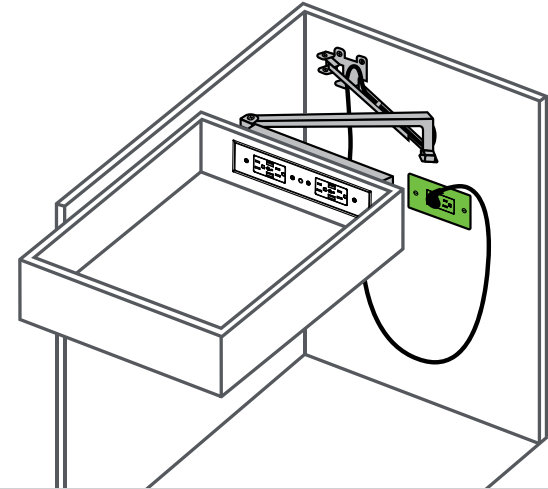
Electrical Planning Guide (continued)

Making the Electrical Connection from the In-Cabinet Outlet to the In-Drawer Outlet

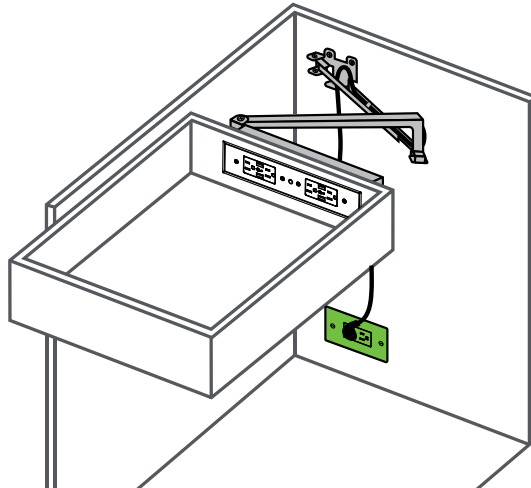
Top Left



Right Under the
Drawer Box



Bottom Left



*Items marked in green are not included