

Instructions for changing Privacy Stops from standard Pull Side Configuration to Push Side Configuration



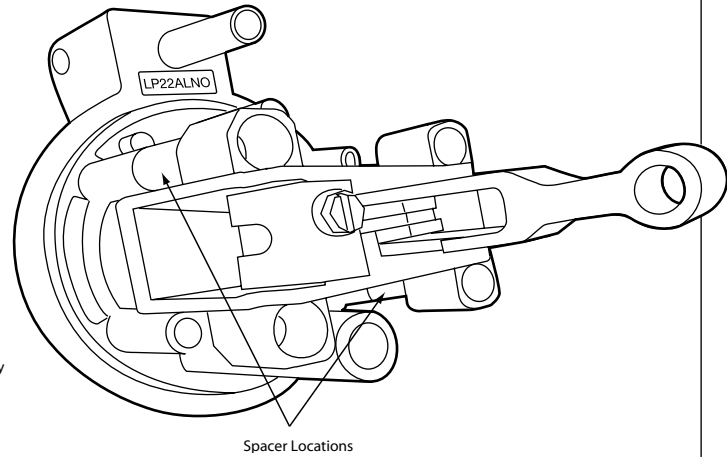
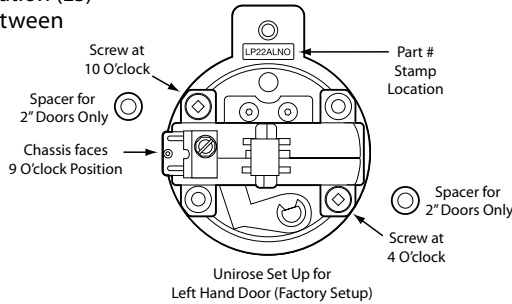
Tools needed to Change SOSS® UltraLatch® Privacy Stops

- #2 Sq. Drive Screwdriver (Robertson)
- #2 Phillips Screwdriver (Asian Model)
- 1/16" (1.59mm Hex Bit)

1 Chassis Disassembly

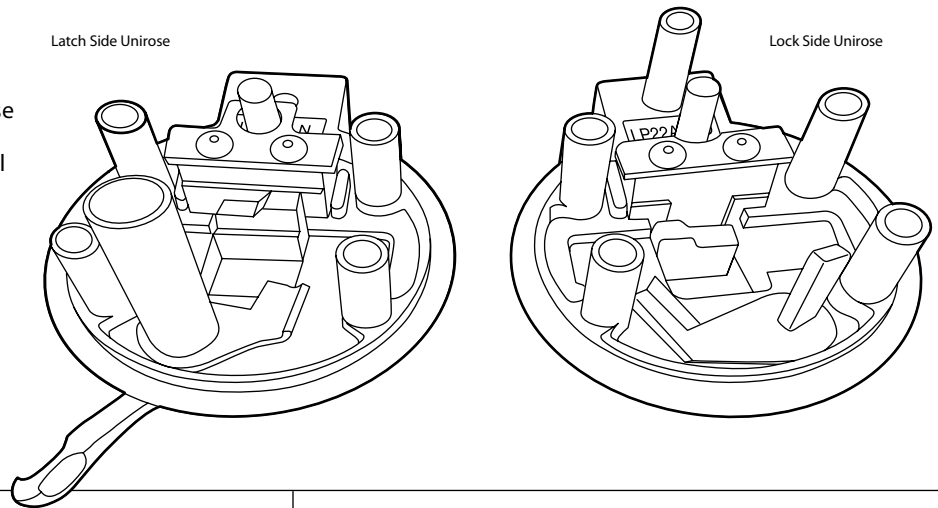
Use #2 square drive or #2 phillips screwdriver to remove chassis from lock side unirose. The unirose will be stamped with either part # LP22ALNO or # LP22ALEO.

If this is a 2" door installation (L3) there will be spacers between the chassis and unirose at the 4 and 10 o'clock positions.



2 Separate Unirose Bodies

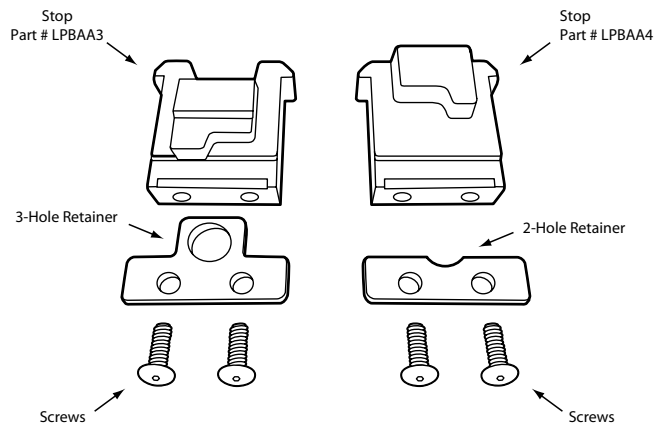
Separate the unirose bodies as shown in the illustration. The latch side unirose will be stamped with part # LP22ALN or # LP22ALE. The lock side unirose will be stamped with part # LP22ALNO or # LP22ALEO.



3 Remove Stop and Retainers

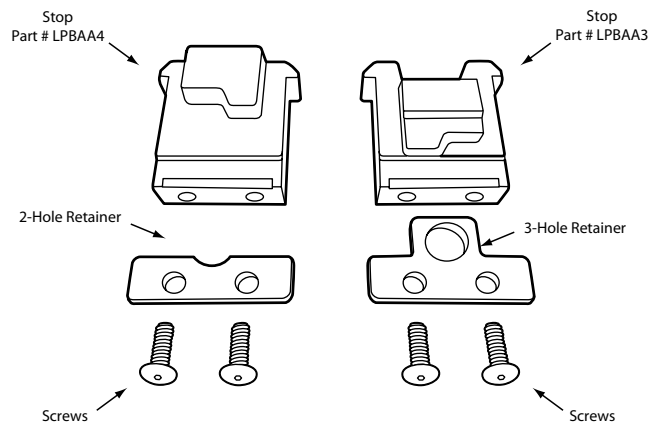
Use 1/16" (1.59 mm) hex bit to remove stops and retainers from above assemblies and layout as shown below. The stops will be stamped with their part numbers LPBAA3 and LPBAA4.

Note: The stop part numbers are located on the back side of the part.



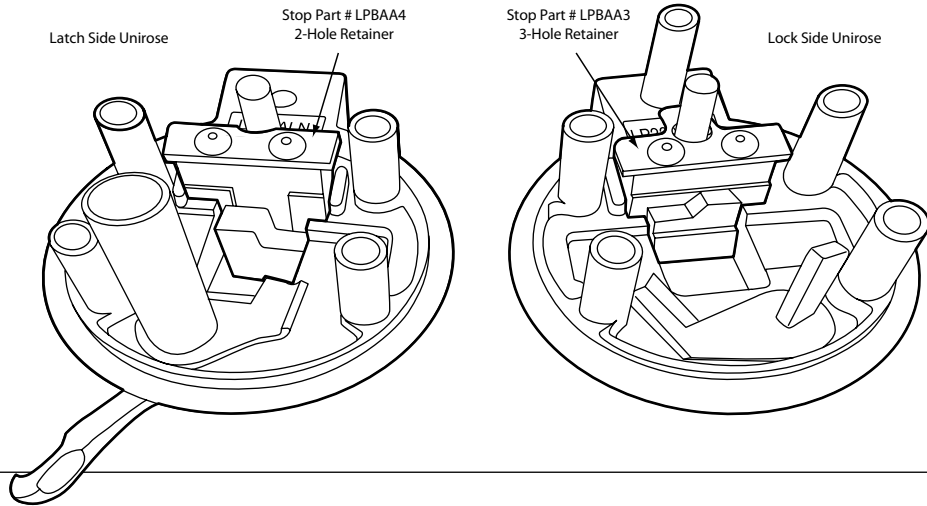
4 Orient Stops

Orient the stops into position shown below.



5 Re-assemble the Stops

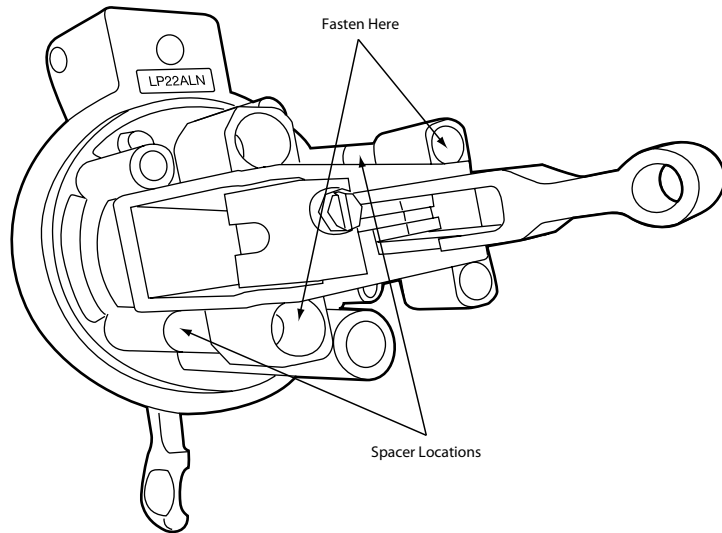
Using the 1/16" (1.59 mm) hex bit re-assemble the stops into the order shown in the illustration.



6 Re-assemble Chassis to Latch Side Unirose (Part # LP22ALN or # LP22ALE)

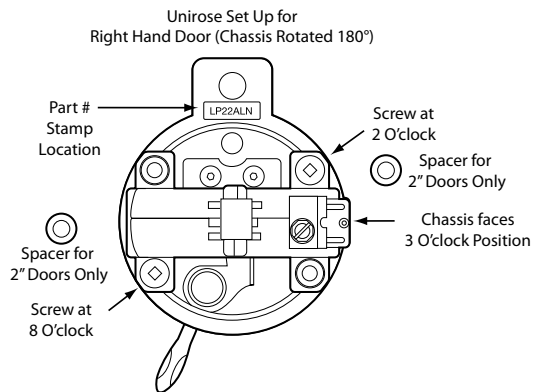
Using the #2 square drive or #2 phillips screwdriver re-assemble the chassis to the latch side unirose as shown in the diagram.

If this is a 2" door installation (L3) then you must also reinstall the spacers between the Chassis and Unirose at the 2 and 8 o'clock positions.



Note

To switch to a right hand out swing application, simply rotate the chassis 180 degrees and assemble to the latch side unirose (part # LP22ALN or # LP22ALE) as shown in the diagram.



SOSS[®]
Door Hardware

UltraLatch[®] is made in the U.S.A. of domestic and imported components.

Universal Industrial Products, Inc.

One Coreway Drive
 Pioneer, OH, USA 43554-0628
 Phone: (419) 737-2324 (800) 922-6957
 FAX: (419) 737-2130

Email: hinges@sooss.com Internet: www.soss.com