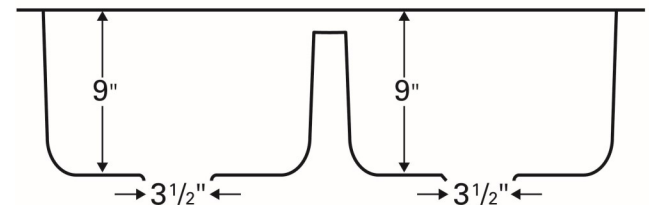
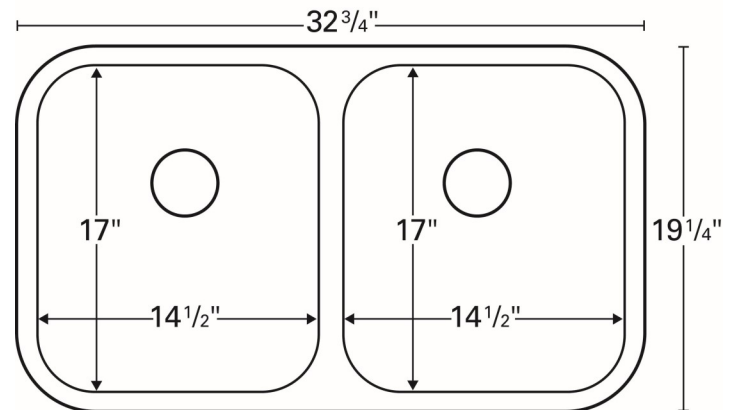


Karran Acrylic Series sinks are manufactured from an ultra dense, pure acrylic resin, reinforced on the underside with a durable FRP backing. This makes them tough and resilient to even the toughest daily tasks. Each Acrylic sink has a resin matrix rim that allows it to be seamlessly integrated into all laminate and solid surface countertop materials. Seamless integration is the most hygienic way to install a sink into a countertop in both residential and commercial applications.



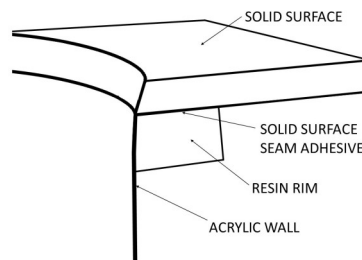
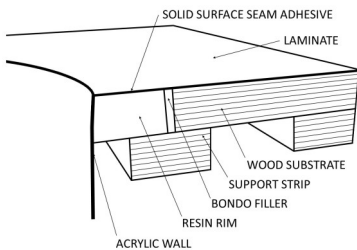
<b>Series:</b>	Acrylic Series
<b>Material:</b>	High density acrylic, FRP reinforced
<b>Installation Type:</b>	Seamless undermount
<b>Configuration / Style:</b>	Double equal bowl
<b>Finish:</b>	Matte finish
<b>Overall dimensions:</b>	32-3/4" x 19-1/4"
<b>Left Bowl dimensions:</b>	14-1/2" x 17" x 9"
<b>Right Bowl dimensions:</b>	14-1/2" x 17" x 9"
<b>Drain size:</b>	3-1/2"
<b>Min. cabinet size:</b>	36"
<b>Template included:</b>	No
<b>Clips included:</b>	No
<b>Accessories included:</b>	No
<b>Colors available:</b>	White and Bisque



**INSTALLATION OPTIONS**

**IN LAMINATE**

**IN SOLID SURFACE**



- Laminate Install Guide
- DXF File
- Care Guide
- Warranty

**PROJECT INFORMATION**

PROJECT: \_\_\_\_\_

CONTACT: \_\_\_\_\_

DATE: \_\_\_\_\_

NOTES: \_\_\_\_\_

\_\_\_\_\_

\_\_\_\_\_

**APPROVAL:**

**RECOMMENDED TOOLING FOR INSTALLATION**

- 10° Bevel bit [BITLAM] - Laminate installs
- Seam adhesive [BRISA, WHISA, BISSA]
- Adhesive gun [AG]
- Non-woven flap wheel [FLAP3X2FINE]

**OPTIONAL ACCESSORIES**

- White basket strainer [ABSWH]
- Bisque basket strainer [ABSBI]
- White disposal flange [ADFWH]
- Bisque disposal flange [ADFBBI]
- Stainless basket strainer [L-1]

We reserve the right to update product specifications without notice. Please visit [karran.com](http://karran.com) for the most current specification sheets. All dimensions are accurate to 1/4". REV 05-2020