



for 1/4 inch thick

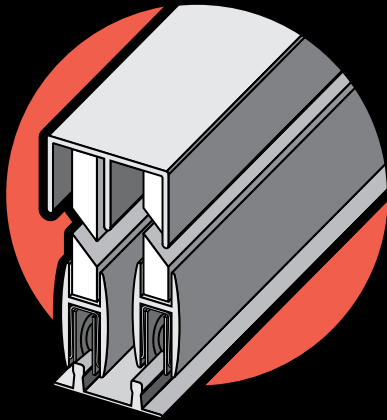
TRACK ASSEMBLY No 14

glass, acrylic, pegboard,
fiber board, plywood, etc.

- Silent, smooth operation
- Economical and quick install
- Extruded Aluminum

PACKAGE CONTAINS:

- 1pc. #730 upper guide
- 4pc. #771 clip guide
- 1pc. #723 track
- 2pc. #743 shoes
- 4pc. #752 nylon rollers
- glazing vinyl
- mounting screws



for 1/4 inch thick bypassing doors

PART IDENTIFICATION:

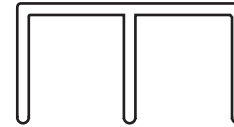
4 pc. #771 clip guide



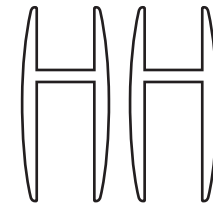
#2021 glazing vinyl



1 pc. #730 upper guide



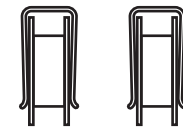
2 pc. #743 shoes



1 pc. #723 lower track



4 pc. #752 nylon rollers



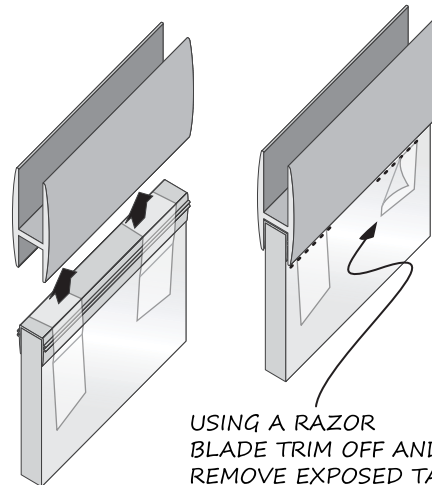
TYPICAL INSTALLATION

The #730 channel is the upper guide. #771 clip guides grip the top edge of the panel and silence operation.

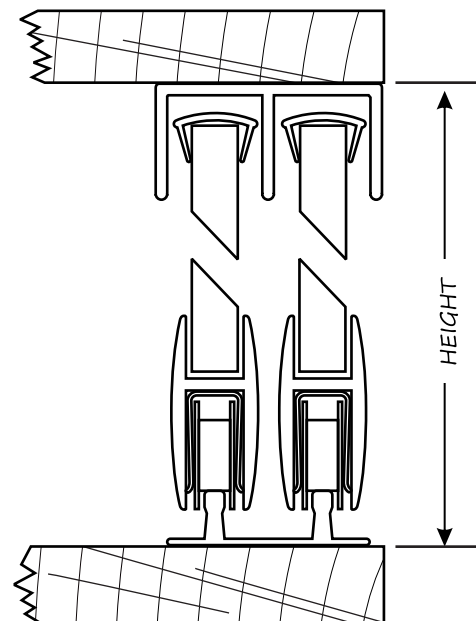
This assembly uses the #723 track. The #743 shoes install on the bottom of the panel using #2021 glazing vinyl. Use the appropriate number of #752 nylon rollers for easy rolling action.

When putting on the flexible 2021 glazing vinyl it may be helpful to use tape to temporarily hold it as it's placed over the entire edge of the glass or panel. A spray lubricant can then be applied to the exposed

surface of the vinyl and the glass or panel can be gently inserted into the #743 shoe. Once the glass or panel is installed into the shoe the exposed tape can be removed.



USING A RAZOR BLADE TRIM OFF AND REMOVE EXPOSED TAPE



TO OBTAIN PANEL HEIGHT

Cut panel 1-7/32" less than height of finished opening.

TO OBTAIN PANEL WIDTH

Add 1/2" to opening width and divide by 2 for 1/2" overlap.

Add 1" to opening width and divide by 2 for 1" overlap.



www.epcohardware.com