



for 1/4 inch thick

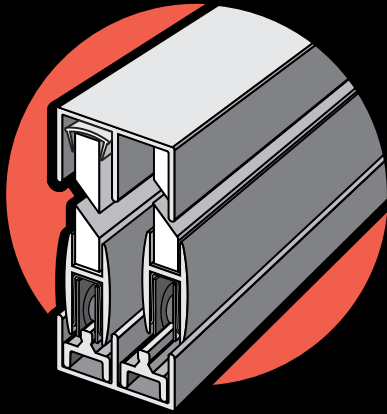
# TRACK ASSEMBLY No 15

glass, acrylic, pegboard,  
fiber board, plywood, etc.

- Silent, smooth operation
- Economical and quick install
- Extruded Aluminum

### PACKAGE CONTAINS:

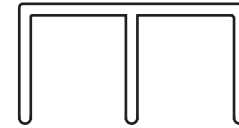
- 2pc. #730 channel
- 4pc. #771 clip guide
- 2pc. #726 track
- 2pc. #743 shoes
- 4pc. #752 nylon rollers
- glazing vinyl
- mounting screws



for 1/4 inch thick bypassing doors

### PART IDENTIFICATION:

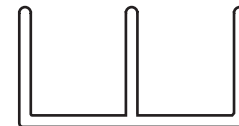
1 pc. #730 channel  
(as upper guide)



2 pc. #726 lower track



1 pc. #730 channel  
(as track base)



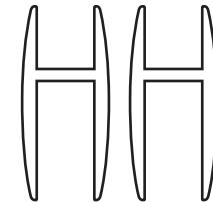
4 pc. #771 clip guide



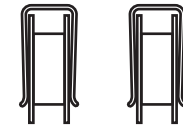
#2021 glazing vinyl



2 pc. #743 shoes



4 pc. #752 nylon rollers

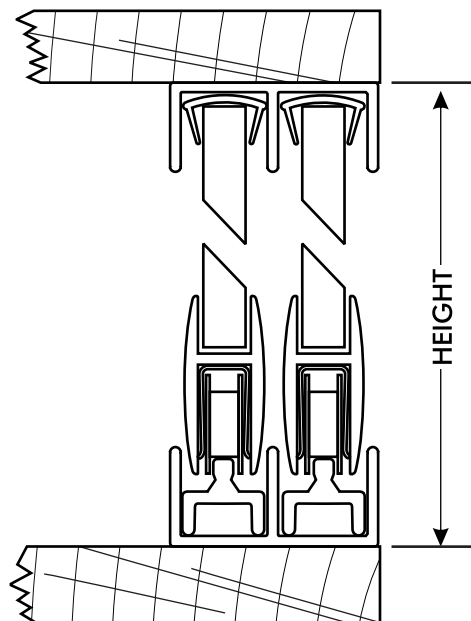
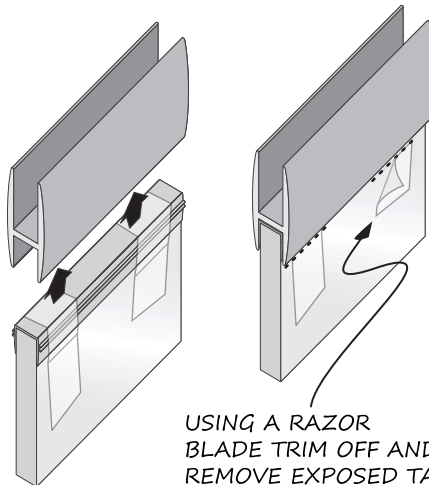


## TYPICAL INSTALLATION

The #730 channel is used as both the upper guide and track channel. #771 clip guides grip the top edge of the panel and silence operation. Two #726 tracks set into the #730 track channel. Two #743 shoes install on the bottom of the panel using #2021 glazing vinyl. Use the appropriate number of #752 nylon rollers for easy rolling action.

When putting on the flexible 2021 glazing vinyl it may be helpful to use tape to temporarily hold it as it's placed over the entire edge of the glass or panel. A spray lubricant can then be applied to the exposed

surface of the vinyl and the glass or panel can be gently inserted into the #743 shoe. Once the glass or panel is installed into the shoe the exposed tape can be removed.



### TO OBTAIN PANEL HEIGHT

Cut panel 1-7/16" less than height of finished opening.

### TO OBTAIN PANEL WIDTH

Add 1/2" to opening width and divide by 2 for 1/2" overlap.

Add 1" to opening width and divide by 2 for 1" overlap.



www.epcohardware.com