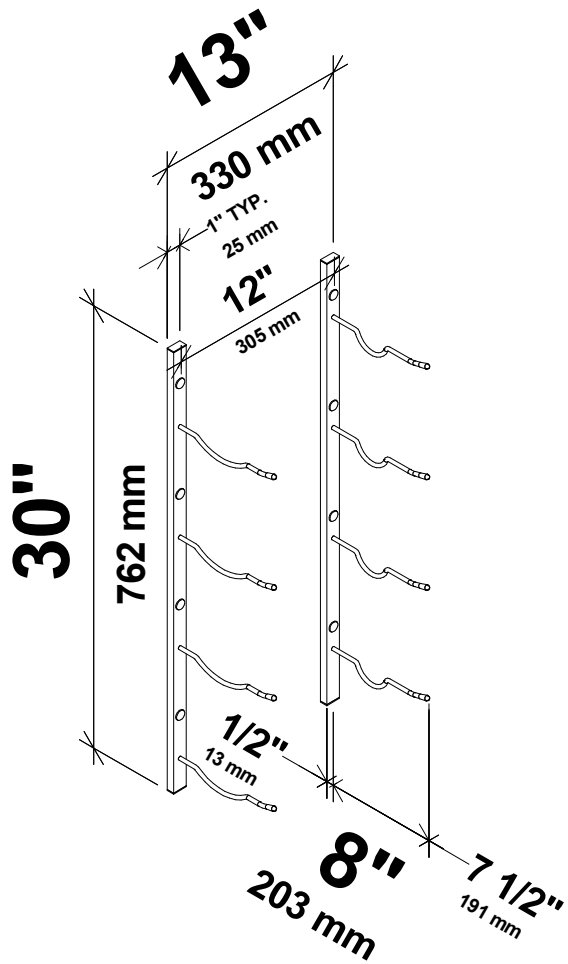


# W Series Big Bottle

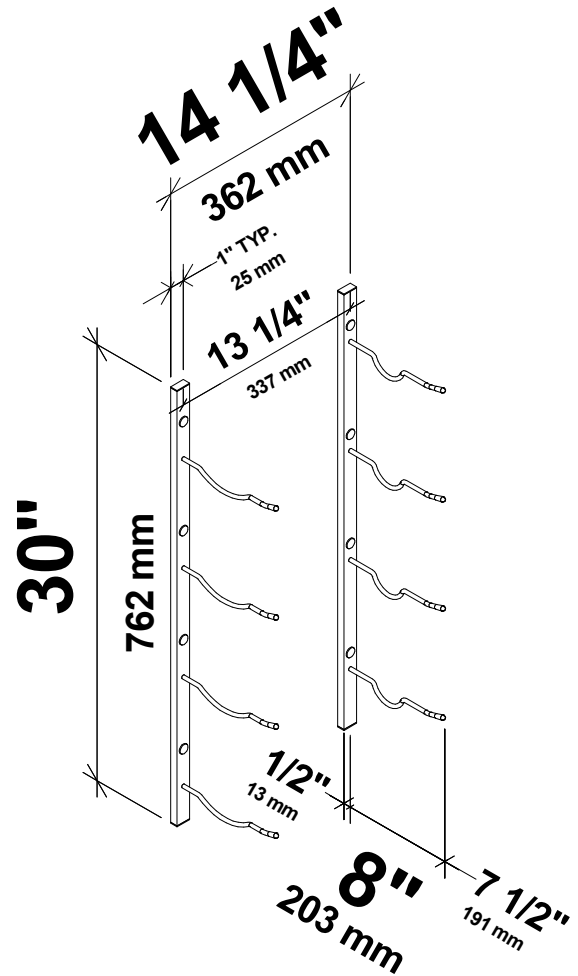
Spec Sheet for WS-BIG1 (4-bottle wine rack)



recommended spacing for 6L bottles



recommended spacing for 3L bottles



SCAN FOR BILT. 3D INSTRUCTIONS



POWERED BY BILT INTELLIGENT INSTRUCTIONS®



VINTAGEVIEW®  
MOVING WINE STORAGE FORWARD

4690 Joliet St., Denver, CO 80239 | phone: 866.650.1500 | fax: 866.650.1501 | [VintageView.com](http://VintageView.com)

For product warranty information, please visit [vintageview.com/warranty](http://vintageview.com/warranty)