

# Elite Plus 19

## Full Extension Slide for 19mm (3/4") drawer material



- Slide is concealed to give a full view of finely crafted drawers
- Zinc plated, roll formed steel components
- Precision, smooth-running synthetic roller carriages
- Liquid damper softly glides drawers to a stop
- Self-latching front locking devices have comfortable release levers for drawer removal and installation
- Front locking device with height adjustment 2.5mm (3/32")
- Positive tracked right side, ± 1.5mm (1/16") side tolerance on left side
- Self-closing mechanism engages 30mm (1 1/4") before closed position
- Weight capacity: 75 lb dynamic, 100 lb static
- Meets and exceeds ANSI/BHMA 156.9, Grade 1

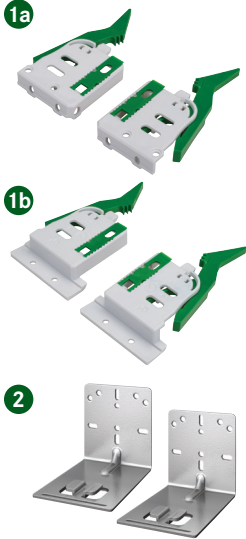
### Elite Plus 19



Drawer Length	Nominal length	Min Installation Depth	Max Installation Depth	Item No.	PU
240 (9 7/16")	250 (9 27/32")	259 (10 3/16")	296 (11 5/8")	13183-03	5
305 (12")	317 (12 15/32")	329 (12 15/16")	363 (14 5/16")	13184-03	5
381 (15")	394 (15 1/2")	407 (16")	440 (17 5/16")	13185-03	5
457 (18")	470 (18 1/2")	479 (18 7/8")	516 (20 5/16")	13186-03	5
533 (21")	550 (21 21/32")	562 (22 1/8")	596 (23 7/16")	13139-03	5
457 (18")	470 (18 1/2")	479 (18 7/8")	516 (20 5/16")	13186-12	200
533 (21")	550 (21 21/32")	562 (22 1/8")	596 (23 7/16")	13139-12	200

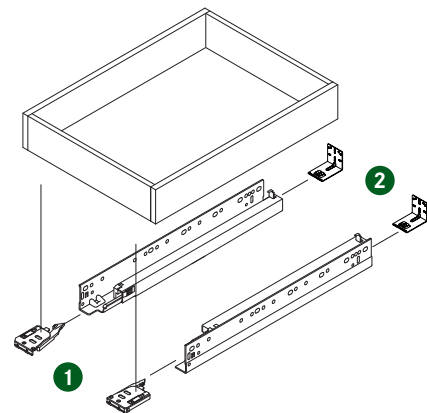
\*For frameless applications, deduct 1.5mm (1/16") for minimum installation depth

### Front Locking Devices and Rear Mounting Bracket



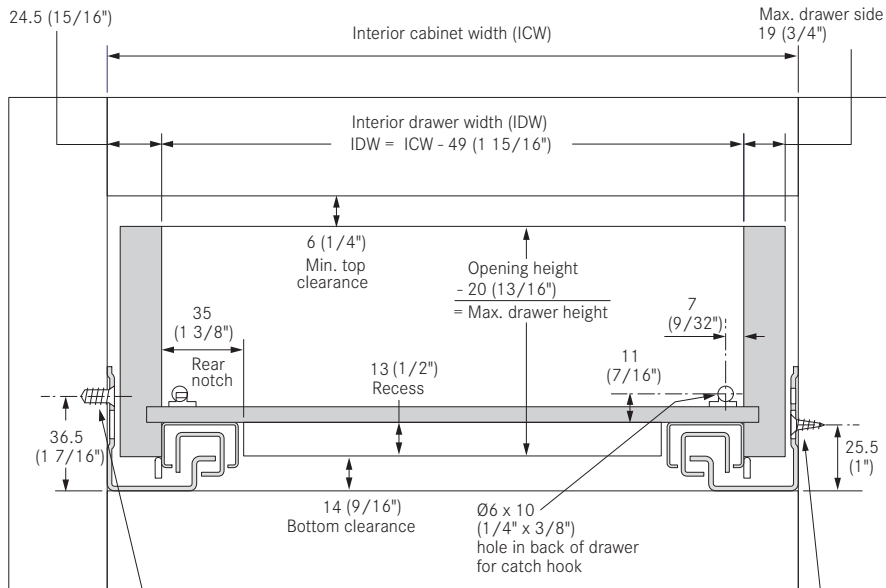
Description	Item No.	PU
(Please order separately)		
<b>1a</b> 7523 Front locking device, universal, kit*	02500-03	5
7523 Front locking device, universal, left	02498-12	200
7523 Front locking device, universal, right	02499-12	200
<b>1b</b> 7523 Flanged front locking device, universal, kit*	02497-12	200
7523 Flanged front locking device, universal, left	02495-12	200
7523 Flanged front locking device, universal, right	02496-12	200
<b>2</b> 7523 Universal rear mount bracket**	7950.VE20	20
7523 Universal rear mount bracket**	7950.VE300	300

\*Kit: Left/Right locking device, (4) #6 x 1/2" flat head Phillips screws, \*\*Plug-in brackets available on page 10



PU - Packaging unit

### Drawer Installation Dimensions

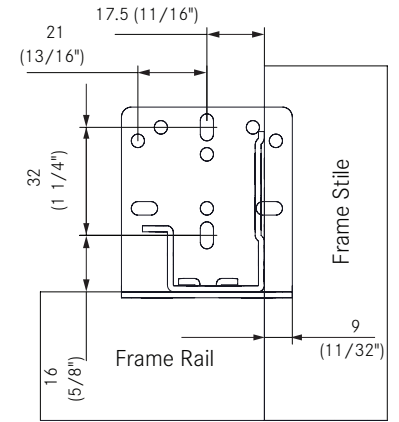


Euro screw Ø5 x 13mm or #7 x 5/8" flat head wood screw location on panel cabinets

#7 wood screw location at face frame

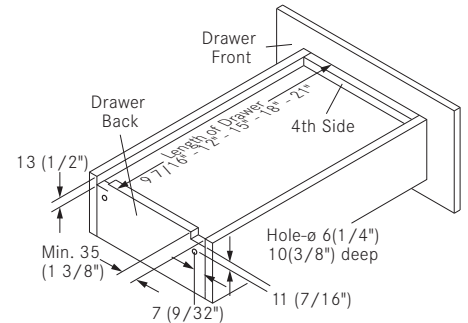
### Rear Bracket Position/Drawer Measurements

#### Rear Bracket for Face Frame



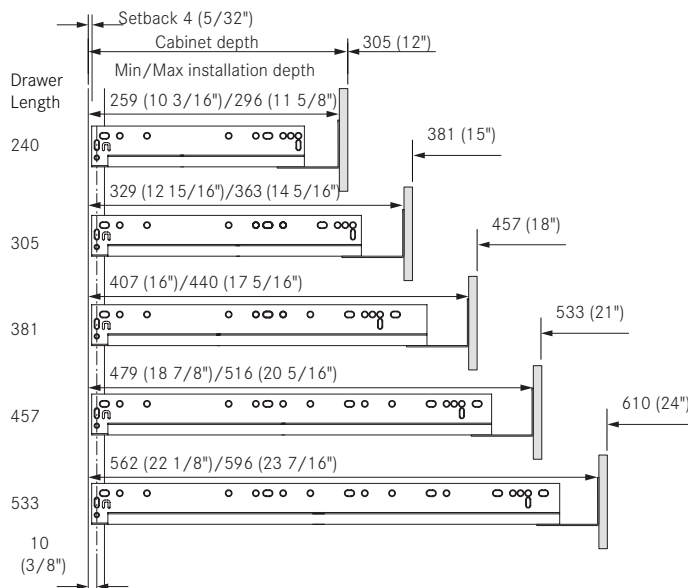
For face frame applications only. Use minimum of 3 screws per bracket, #6 x 1/2" truss head screws.

#### Drawer Measurements



### Cabinet Member Boring Specifications

#### Face Frame



#### Frameless

