

Maxcess 16, Full access slide, Face Frame

Integrated Soft-close for 16mm (5/8") drawer material



- Slides mount underneath to give a full view of finely crafted drawers
- Zinc plated, roll formed steel components
- Precision, smooth-running synthetic roller carriages
- Liquid damper softly glides drawers to a stop
- Self-latching front locking devices have easy release levers for drawer removal
- Front locking device height adjustable 2.5mm (3/32")
- Weight capacity: 75 lbs
- Meets and exceeds ANSI/BHMA 156.9, Grade 1

Maxcess 16, Face Frame



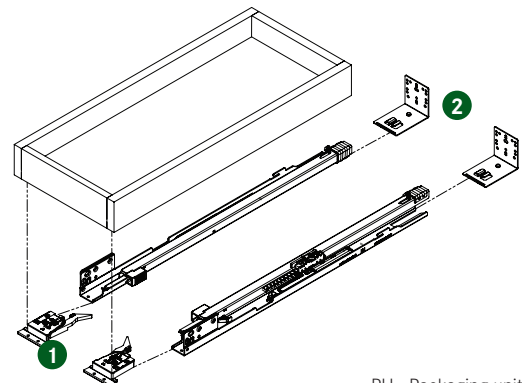
Drawer Length	Cab Mem Length	Min Installation Depth	Max Installation Depth	Item No.	PU
229 (9")	256 (10 3/32")	273 (10 3/4")	300 (11 13/16")	13301-03	5
305 (12")	316 (12 7/16")	349 (13 3/4")	360 (14 3/16")	13302-03	5
381 (15")	392 (15 7/16")	426 (16 25/32")	436 (17 5/32")	13303-03	5
457 (18")	468 (18 7/16")	502 (19 3/4")	512 (20 5/32")	13304-03	5
533 (21")	545 (21 15/32")	578 (22 3/4")	589 (23 3/16")	13305-03	5
381 (15")	392 (15 7/16")	426 (16 25/32")	436 (17 5/32")	13303-12	200
457 (18")	468 (18 7/16")	502 (19 3/4")	512 (20 5/32")	13304-12	200
533 (21")	545 (21 15/32")	578 (22 3/4")	589 (23 3/16")	13305-12	200

Locking Devices and Rear Mounting Socket



Description	Item No.	PU
(Please order separately)		
1 7523 Front locking device, kit*	02500-03	5
7523 Front Locking device, left	02498-12	200
7523 Front Locking device, right	02499-12	200
1b 7523 Front locking device with flange, kit*	02497-12	200
7523 Locking device with flange, left	02495-12	200
7523 Locking device with flange, right	02496-12	200
2 7523 Universal rear mount bracket	7950.VE20	20
7523 Universal rear mount bracket	7950.VE300	300

*Kit: left/right locking device, (4) #6 x 1/2" phillips screws

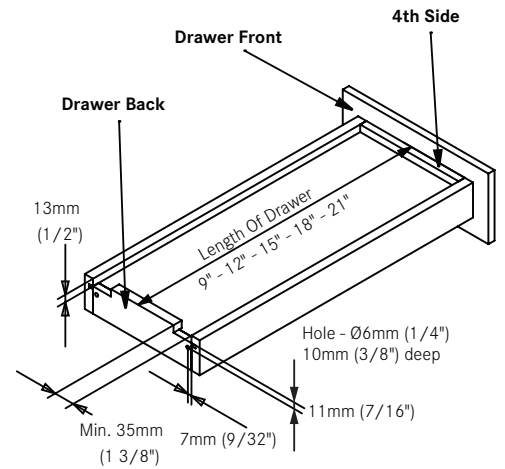
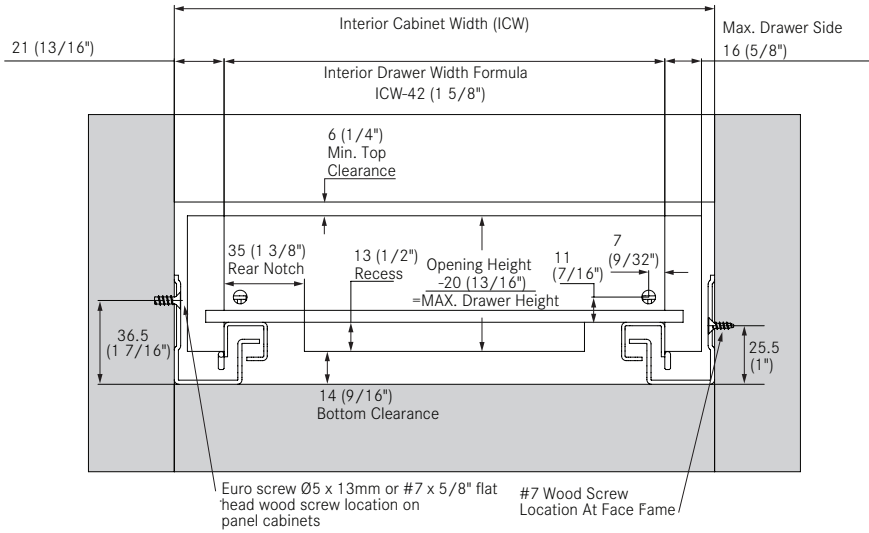


Patent Pending

PU - Packaging unit

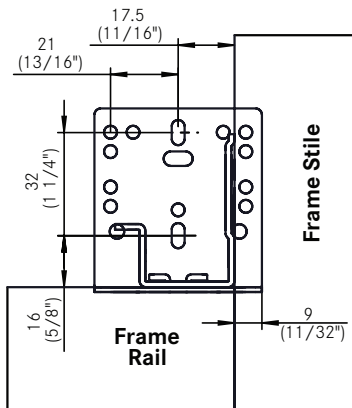
Drawer Installation Dimensions

Drawer Measurements



Rear Socket for Face Frame

Cabinet Boring Specifications



For face frame applications only. Use minimum of 3 screws per bracket, #6 x 1/2" truss head screws.

