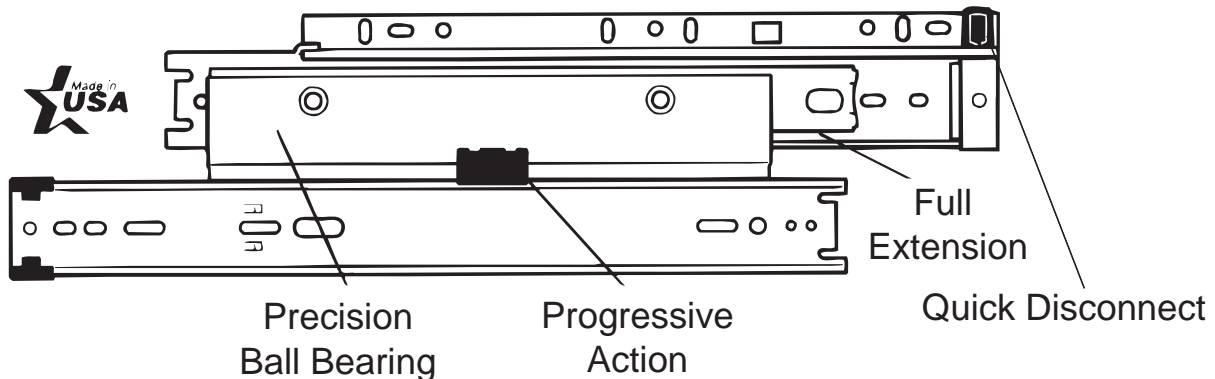


# KV 8500 Series

## HEAVY-DUTY SIDE-MOUNT DRAWER SLIDE

150-pound to 175-pound ratings.



### INSTALLATION INSTRUCTIONS FOR KV8500, 8505, 8520 AND 8525 DRAWER SLIDES

**NOTE:** When replacing existing drawer slides, confirm that the new slide:

- has a load rating that will accommodate the anticipated drawer load
- uses a similar mounting style
- is the correct length
- will fit within the available clearance between drawer and cabinet

Each package contains:

- 1 left-hand drawer rail (L)
- 1 right-hand drawer rail (R)
- 1 left-hand cabinet member (L)
- 1 right-hand cabinet member (R)
- 20 Phillips pan-head screws (#7 x 1/2", zinc-plated, KV#200143-4; #7 x 1/2", white, KV#200153; #7 x 1/2", ebony-plated, KV#200151)

**NOTE:** Some packaging does not include screws.

For correct slide length, measure from back of drawer front to rear of drawer. Minimum drawer height is 3 3/4" (96.4mm). Drawer width must be between 1" and 1 1/8" (25.4-27mm) less than the cabinet opening.

**NOTE:** For drawer slide installation in new cabinets, skip to the "Installation - New Cabinetry" section.

### INSTALLATION - EXISTING CABINETRY

#### 1. Remove the drawer.

Remove the contents from the drawer and remove it from the cabinet.

#### 2. Remove the existing drawer slides from the drawer and cabinet.

#### 3. Prepare the cabinet and drawer to accept new drawer slides.

Fill old holes, sand rough spots that might interfere with mounting new drawer slides and make any other needed repairs.

See the "Installation - New Cabinetry" section below.

### INSTALLATION - NEW CABINETRY

#### 1. Identify the slide members.

Each drawer rail and cabinet member is stamped with an identification:

L= Left-hand  
R= Right-hand

On the cabinet member, this identification is located next to the front molded lock.

Before installing the drawer rails or cabinet members, confirm that the left or right identification stamp on each item is positioned toward the front of the drawer or cabinet.

#### 2. Install drawer rails.

Position the drawer rail so that its mounting holes are 3 1/8" (87mm) from bottom edge of drawer. Make sure that the rail is flush with the back of the drawer front and parallel to the bottom edge of drawer. Fasten each drawer rail in place, using one screw through the slotted hole at each end.

#### 3. Install cabinet members.

Based on the cabinet types, choose from the following instructions:

For 32mm frameless cabinets: Check the hole pattern of cabinet members with that of the cabinet—the hole pattern on the inside of the cabinet front should be set back 37mm from the cabinet

face. Place the cabinet member 2mm from the front edge of the cabinet, in order to align it with the cabinet's vertical 32mm Euro hole pattern. Vertically align and fasten each member in the desired location according to the size and location of each drawer.

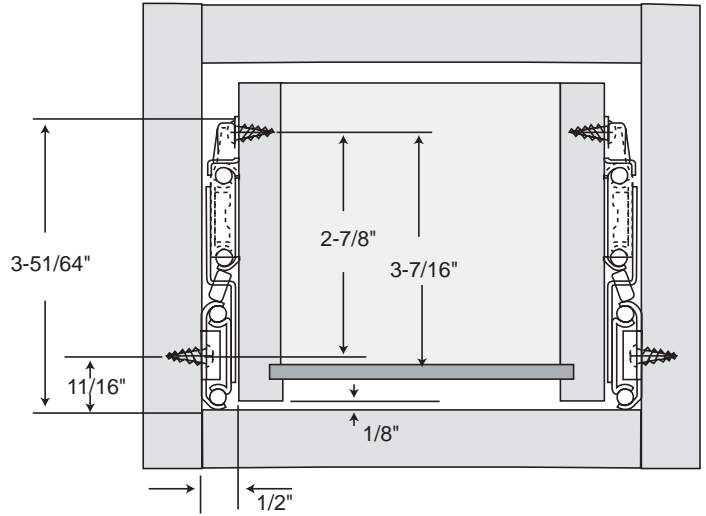
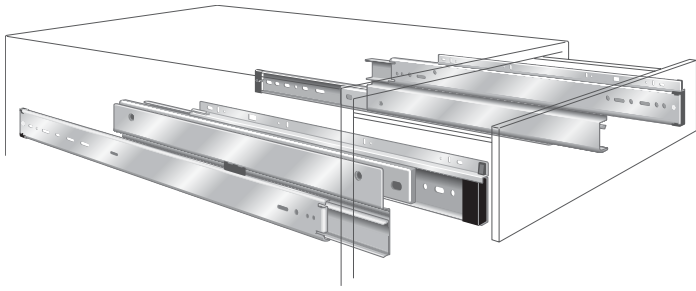
**NOTE:** Depending on the cabinet member length and the anticipated load, up to five screws may be required to fasten each member.

For face-frame cabinets: Place each cabinet member 1/8" (3mm) from the front of the cabinet opening, with the attachment slots 1/16" (1.5mm) from bottom edge of drawer opening. Make sure that the members are perpendicular to the cabinet front, parallel, and in a level position. If necessary, shim the slide to insure that it is parallel with the side of the cabinet. Fasten each cabinet member in place.

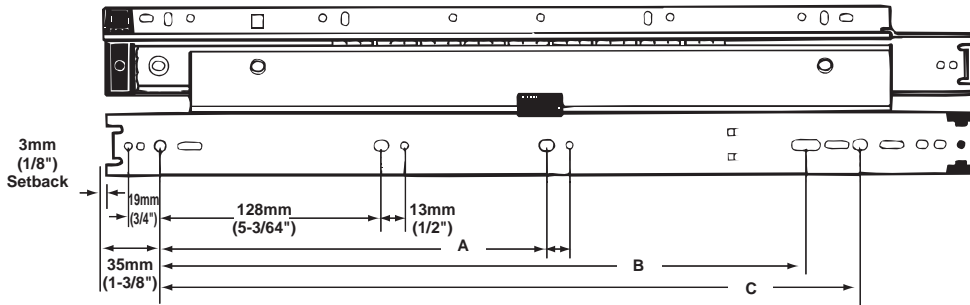
#### 4. Insert, adjust and secure.

To insert the drawer, pull the cabinet members so that they are fully extended. Insert the drawer by fitting the drawer rails under the cabinet member hooks, and snapping down over the front lock. Open and close drawer to check for proper fit and operation. Adjust as necessary. Install remaining screws. To remove the drawer, pull it to the locked-out position, depress the two front lock release tabs, then lift and pull.

**NOTE:** If you will be shipping the furniture, you may wish to further secure the drawers by fastening the top portion of the cabinet members (using a front mounting hole) into the drawer side.

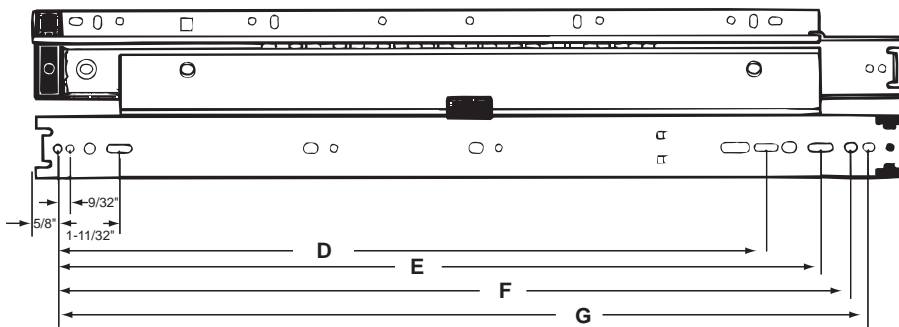


### 32mm Frameless Cabinet Dimensions



SLIDE SIZE	DIMENSIONS - in mm		
	A	B	C
305mm (12")	-----	160mm	-----
356mm (14")	-----	224mm	-----
406mm (16")	-----	288mm	-----
457mm (18")	224mm	320mm	352mm
508mm (20")	224mm	384mm	-----
559mm (22")	224mm	416mm	-----
610mm (24")	-----	480mm	-----
660mm (26")	-----	544mm	-----
711mm (28")	-----	576mm	-----
762mm (30")	-----	640mm	-----

### Face Frame Cabinet Dimensions



SLIDE SIZE	DIMENSIONS - in inches			
	D	E	F	G
12" (305mm)	7-25/32	9-7/16	10-5/32	10-9/16
14" (356mm)	10-17/32	11-7/16	12-5/32	12-9/16
16" (406mm)	-----	13-7/16	14-5/32	14-9/16
18" (457mm)	14-1/16	15-7/16	16-5/32	16-9/16
20" (508mm)	16-17/32	17-7/16	18-5/32	18-9/16
22" (559mm)	17-25/32	19-7/16	20-5/32	20-9/16
24" (610mm)	20-17/32	21-7/16	22-5/32	22-9/16
26" (660mm)	-----	23-7/16	24-5/32	24-9/16
28" (711mm)	24-1/16	25-7/16	26-5/32	26-9/16
30" (762mm)	26-17/32	27-7/16	28-5/32	28-9/16