

8000 Over Travel Undermount Pantry Drawer Slide



Removable
Mounting Brackets

Features

- Removable mounting brackets
- Hold-in detent
- Key-hole style mounting holes
- 1" over travel

Mounting: Bottom mount

Action: Telescopic movement on ball-bearings

Load Rating: 130 lb. class

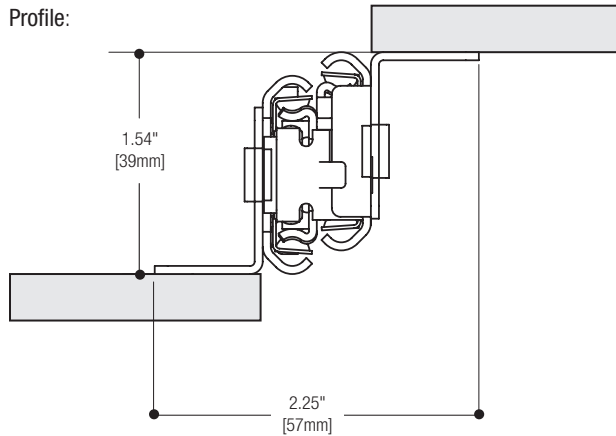
Height: 1.54" [39mm]

2.25" [57mm] (includes brackets)

Clearance: 3/4" (slide only); 2-1/4" (with brackets)


Finish: Anochrome (ANO)

Profile:



Configurations

Poly (P)	1 pair per bag with screws; 5 pairs per carton
8000 Anochrome (ANO) Finish	
Size	Poly (P)
12"	8000P 12
14"	8000P 14
16"	8000P 16
18"	8000P 18
20"	8000P 20
22"	8000P 22
24"	8000P 24
26"	8000P 26
28"	8000P 28

Recommended Fasteners	KV Part	Finish	Qty
 #8 x 5/8" Phillips Pan Head	200114-6	Zinc (ZC)	1000