

8414 Full Extension Hold-Out Precision Drawer Slide



Features

- 32mm hole pattern with direct access mounting
- Lever disconnect for easy drawer removal
- Hold-out feature holds slide in place when drawer is open
- Recommended maximum drawer width 24"

Mounting: Side

Action: Telescopic movement on ball-bearings

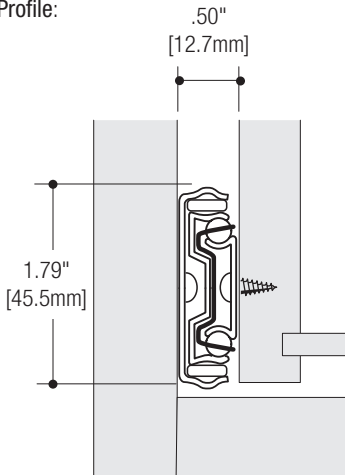
Load Rating: 100 lb. class

Height: 1.79" [45.5mm]

Clearance: .50" + .03" - 0" on each side

Finish: Anochrome (ANO), Ebony Black (EB)

Profile:



Configurations



Bulk (B)	10 pairs per carton without screws
Poly (P)	1 pair per bag with screws; 10 pairs per carton
Quantity (Q)	50 pairs without screws; multiple cartons

8414 Anochrome (ANO) Finish

Size	Bulk (B)	Poly (P)	Quantity (Q)
10"	8414B 10	–	–
12"	8414B 12	8414P 12	8414Q 12
14"	8414B 14	8414P 14	8414Q 14
16"	8414B 16	8414P 16	8414Q 16
18"	8414B 18	8414P 18	8414Q 18
20"	8414B 20	8414P 20	8414Q 20
22"	8414B 22	8414P 22	8414Q 22
24"	8414B 24	8414P 24	8414Q 24

8414 Ebony Black (EB) Finish

12"	–	–	8414Q EB 12
14"	–	–	8414Q EB 14
16"	–	–	8414Q EB 16
18"	–	–	8414Q EB 18
20"	–	–	8414Q EB 20
22"	–	–	8414Q EB 22
24"	–	–	8414Q EB 24

Recommended Fasteners

	KV Part	Finish	Qty	
	#7 x 1/2" Phillips Pan Head	8500-93	Zinc (ZC)	1000
		8500-93 EB	Ebony Black (EB)	1000

Non-stock item – minimum order quantities and additional lead time may apply.

Mounting Brackets



Product	Front or Rear	Finish	Pack
8401	Rear	Zinc (ZC)	20 brackets/carton
8402	Rear	Zinc (ZC)	20 brackets/carton
8402BBL	Rear	Zinc (ZC)	400 brackets/carton
8402WP	Rear	Zinc (ZC)	20 brackets/warehouse pack
8404	Front	Zinc (ZC)	20 brackets/carton
8404B	Front	Zinc (ZC)	400 brackets/carton
8404 EB	Front	Ebony Black (EB)	20 brackets/carton
8404BBL	Front	Zinc (ZC)	400 brackets/carton
8404B KIT	Both	Zinc (ZC)	2 [8403] + 2 [8404] + screws