

# 8900 Extra Heavy-Duty Full Extension Drawer Slide



## Features

- Heavy-Duty stops are designed to withstand rough use
- Non-handed design for easy installation
- Full extension travel
- Non-disconnect

**Mounting:** Side

**Action:** Telescopic movement on ball-bearings

**Load Rating:** 100–500 lb. class depending on application

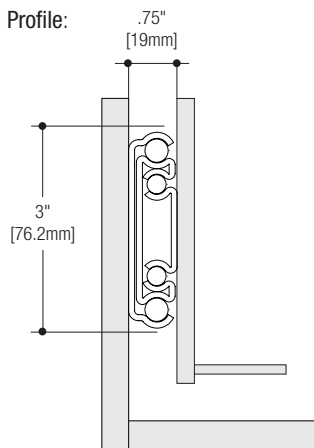
- 100 lb. flat mount rating

**Height:** 3" [76.2mm]

**Clearance:** .75" + .03" - 0" on each side

**Finish:** Zinc (ZC)

**Profile:**



## Configurations



Bulk (B)	10" – 20": 4 pairs per carton; 22" – 28": 3 pairs per carton 30" – 36": 2 pairs per carton; 40" – 60": 1 pair per carton
Poly (P)	10" – 20": 4 pairs per carton; 22" – 28": 3 pairs per carton 30" – 36": 2 pairs per carton

8900 Zinc (ZC) Finish		
Size	Bulk (B)	Poly (P)
10"	8900B 10	8900P 10
12"	8900B 12	8900P 12
14"	8900B 14	8900P 14
16"	8900B 16	8900P 16
18"	8900B 18	8900P 18
20"	8900B 20	8900P 20
22"	8900B 22	8900P 22
24"	8900B 24	8900P 24
26"	8900B 26	8900P 26
28"	8900B 28	8900P 28
30"	8900B 30	8900P 30
32"	8900B 32	8900P 32
34"	8900B 34	8900P 34
36"	8900B 36	8900P 36
40"	8900B 40	–
42"	8900B 42	–
44"	8900B 44	–
48"	8900B 48	–
60"	8900B 60	–

Recommended Fasteners	
	1/4" [M6 Euro] flat, hex or pan head screw for 0.26" [6.6mm] cabinet member hole
	1/4" [M6 Euro] hex or pan head screw for 0.26" [6.6mm] drawer member hole
	#10 [M5 Euro] flat, hex or pan head screw for 0.20" [5.2mm] cabinet member hole
	#10 [M5 Euro] hex or pan head screw for 0.20" [5.2mm] drawer member hole

Load Rating Chart		
Load Rating	Test Condition	Open/Close Cycle Tested
500 lb.	18" slide in 18" width drawer	10,000
400 lb.	18" slide in 42" width drawer	30,000
300 lb.	18" slide in 36" width drawer	75,000
100 lb. flat load	18" slide in 32" width drawer	10,000

Note: This slide must never be used as a pull-out step, platform, or any other application supporting human weight as injury may result.