



SUT90870M

SUT90870M

- Motor: 2 x Aluminium Die Cast 960 cfm Total.
- Pressure: 620Pa
- Noise Levels: 66dBa/5.1 Sones



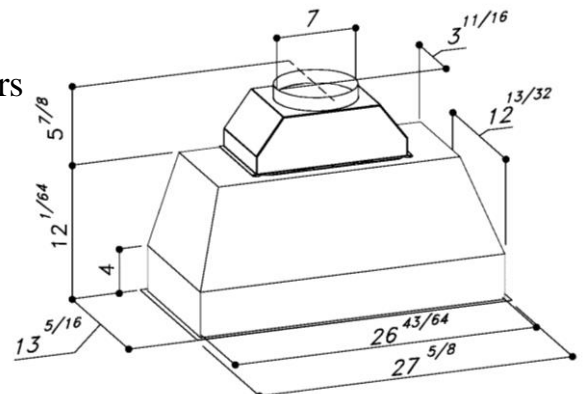
- Lighting: 2x4W MR16 LED Spot



- Control panel: 4 speed Push-Button + Timer Delay Off Timer + Light Switch
- Speed 1: 300 cfm
 - o 2: 480 cfm
 - o 3: 660 cfm
 - o 4: 960 cfm



- Grease Filter: Commercial Style Baffle Filters
- Weight: 50lbs



Sirius