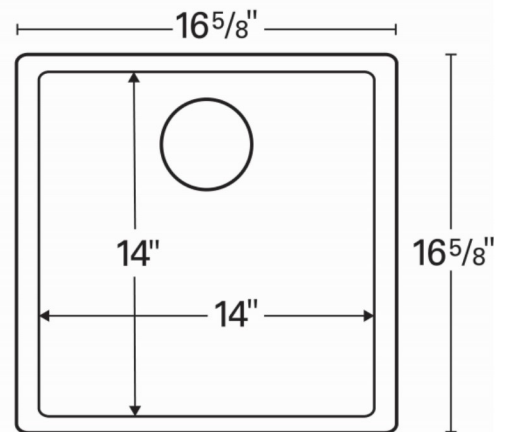


Features and Specifications:

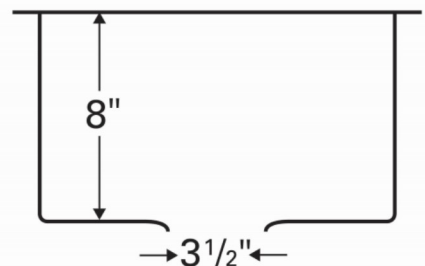
- Bar/prep sink.
- Made of 80% quartz and the finest acrylic resins.
- Outside dimensions: 16-5/8" x 16-5/8" x 8".
- Inside bowl dimensions: 14" x 14" x 8"
- Rear positioned waste.
- Waste opening: 3-1/2".
- Sink bowl surface has a matte finish.
- Can only be installed in new countertops, not existing countertops with existing sink cutout.
- Undermount installation required. May not be top mounted.
- This sink may be bonded seamlessly in solid surface and laminate. This sink may be under-mounted to all stone products. 1/8" overhang recommended but can also be flush installed.
- Supplied without mounting clips and template.
- Digital templates for CNC machines are available at www.karran.com.
- Basket strainer shown not included with sink.
- Basket strainers in stainless steel or matching colors available as optional accessories.
- Sinks colors available: Black, Bisque, White, Concrete, Brown, Grey



TOP ELEVATION



FRONT ELEVATION



ALL DIMENSIONS ACCURATE TO 1/4"