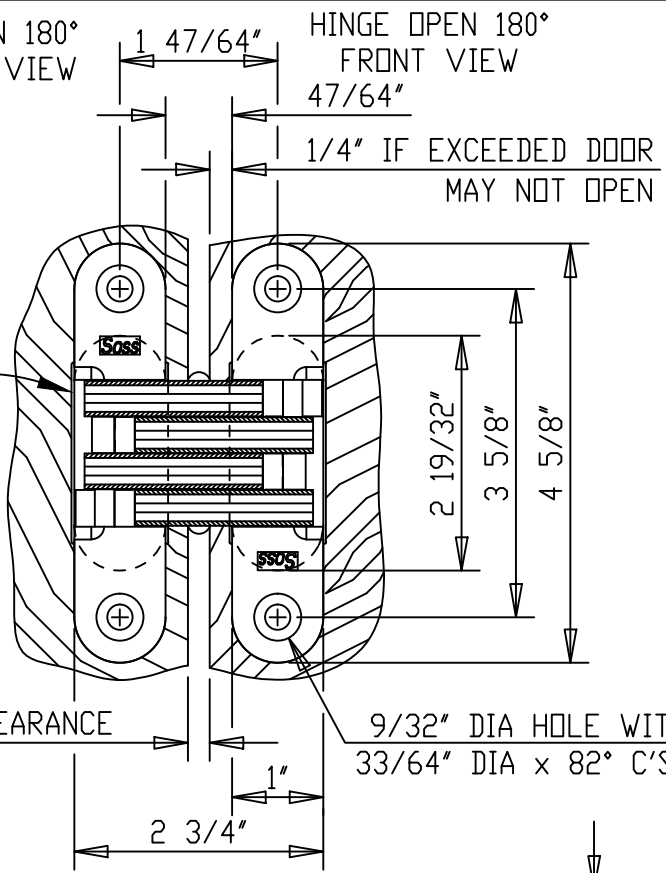


HINGE OPEN 180°
ISOMETRIC VIEW

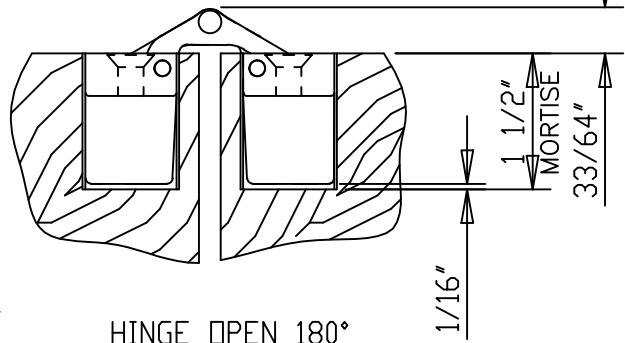
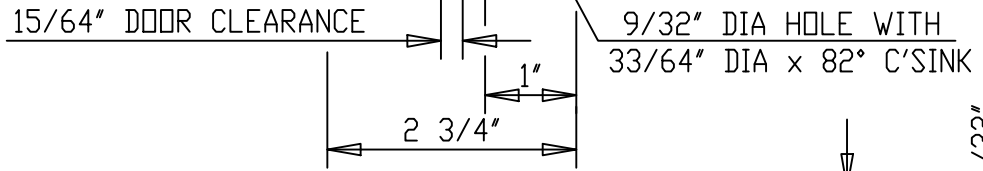
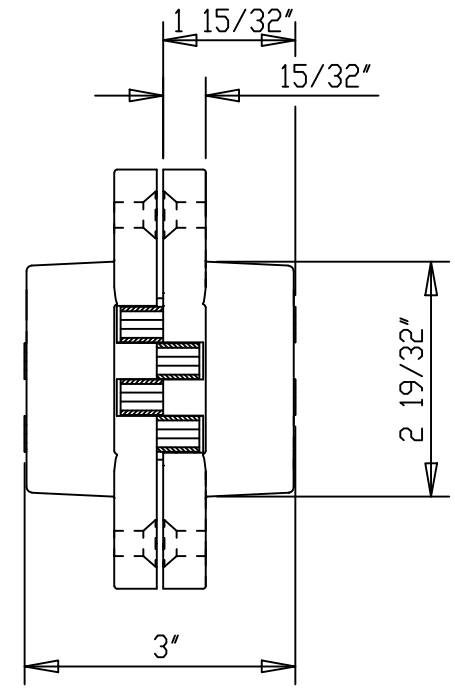


HINGE OPEN 180°
FRONT VIEW
47/64"

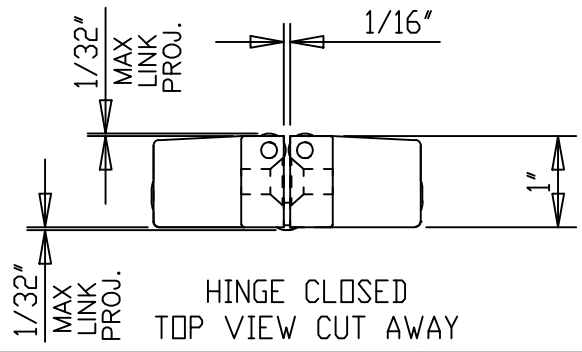
1/4" IF EXCEEDED DOOR
MAY NOT OPEN

1/32 WIDE X 2 LONG RELIEF
PKT FULL DEPTH, BOTH SIDES,
SIDES, (CENTERED BETWEEN THE
MOUNTING HOLES) IN THE FRAME
AND IN THE DOOR POCKET TO
PROVIDE CLEARANCE FOR HINGE
LINK PLATES, WHEN MORTISING,
AS DRAWN.

HINGE CLOSED
FRONT VIEW CUT AWAY



HINGE OPEN 180°
TOP VIEW CUT AWAY



HINGE CLOSED
TOP VIEW CUT AWAY

- SUPPLIED:
WOOD SCREW
#14 x 1-1/2"
SPECIAL ORDER:
MACH. SCREW
1/4-20 x 1"

MIN. MATERIAL THICKNESS IS 1-3/8"
DO NOT SCALE DRAWING
ALL DIMENSIONS ARE IN INCH
DOOR CLEARANCE REDUCES TO 1/64" WHILE CLOSING
SEE DWG# 4477-C IF ADDING MATERIAL TO DOOR FACE AND/OR FRAME FACE

Copyright 2008 Universal Industrial Products, Inc. One Coreway Drive Pioneer, Ohio 43554-0628	SCALE: 1/2 = 1
	DRAWN BY: LHH
HINGE TEMPLATE	DATE: 5/01/11
#216 SOSS INVISIBLE HINGE	DRAWING # 216