

# W Series Stemware Rack

Installation Instructions for WS-SR-1D, WS-SR-2D & WS-SR models



## Parts List

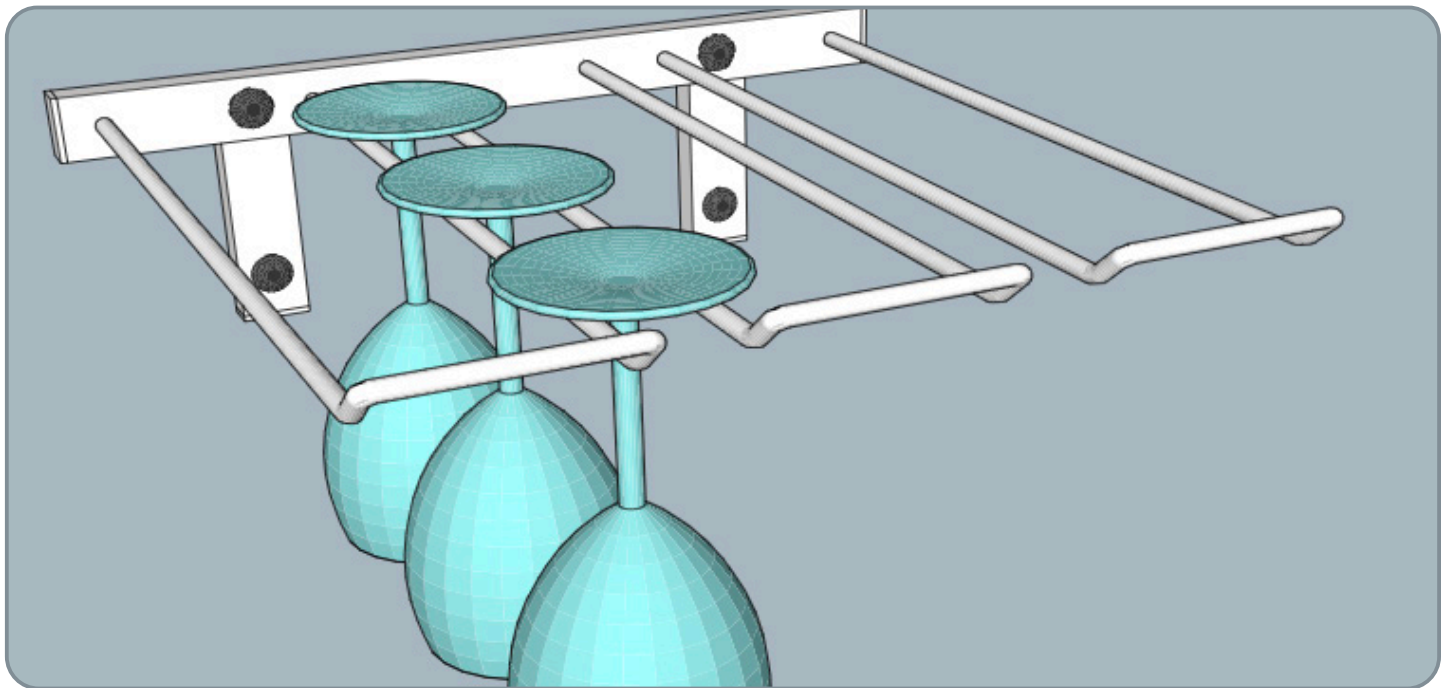
- (1) Stemware Rack (6-1/4" [159mm], 9-1/2" [242mm], or 13" [331mm] deep)
- (2) Plastic Couplers
- (4) Mounting Hole Caps
- (2) Spiral Drywall Anchors
- (4) Screws
- (2) Toggle Bolts

## Required Tools

- Phillips Head Screw Driver
- Level
- Pencil
- Tape Measure
- Power Drill
- 1/2" (12mm) drill bit
- 1/16" (2mm) drill bit

**Fasteners** We recommend the following fasteners for these surfaces:

- Drywall: Use included toggle bolts and Spiral anchors
- Wood/stud (must be 1/2" (13mm) thick): Use included wood screws
- Concrete, Brick or Stucco: 3/16" x 1-1/4" masonry screw or #8 x 1-1/4" screw with appropriate size expanding concrete anchor
- VintageView W Frames (FCF-xx): Each Frame comes with self-drilling screws to attach Stemware Rack



## IMPORTANT NOTES:

- The W Series Stemware Rack is designed to fit directly above or below one column of W Series Wine Racks.
- When installing above W Series Wine Racks, it is recommended to install the Stemware Rack first, as this will simplify the installation of the racks below and is necessary to allow Racks to couple side-to-side. Additionally, it is strongly recommended that in places where the racks will line up with each other, the end plugs are removed and/or replaced with couplers prior to installation of the Stemware Racks, for ease of access.
- When coupled together, Wine Glass capacity increases by 50% per column.

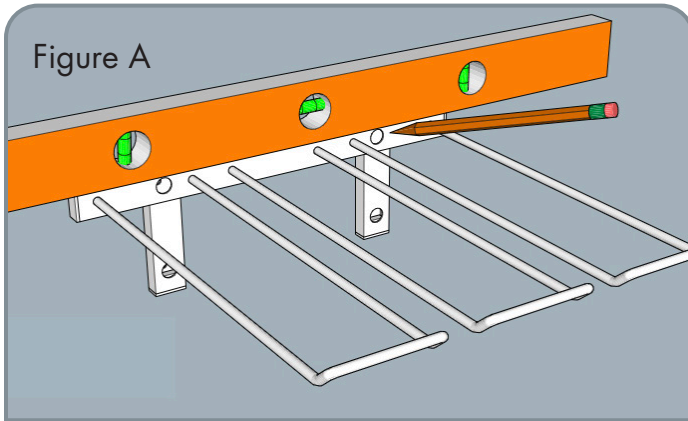


Figure A

## 1. MARK MOUNTING HOLES

Position the rack on the wall where it is to be installed and use a level to ensure the rack is perfectly horizontal (Figure A). Using a pencil, mark all four (4) mounting hole locations. Set the rack aside.

## 2. PREP SURFACE FOR ANCHORS

Using the 1/16" (2mm) bit, drill a pilot hole in the center of the marked hole locations. If a marked hole location is over a stud or the surface is wood (1/2" thick or greater) drill the pilot hole only and skip to step 3B. For drywall, use the 1/2" bit to enlarge the top mounting holes for the toggle bolt. Then, using a Philips Head Screwdriver, insert four (2) Spiral Drywall Anchors into the lower row of mounting hole locations (Figure B).

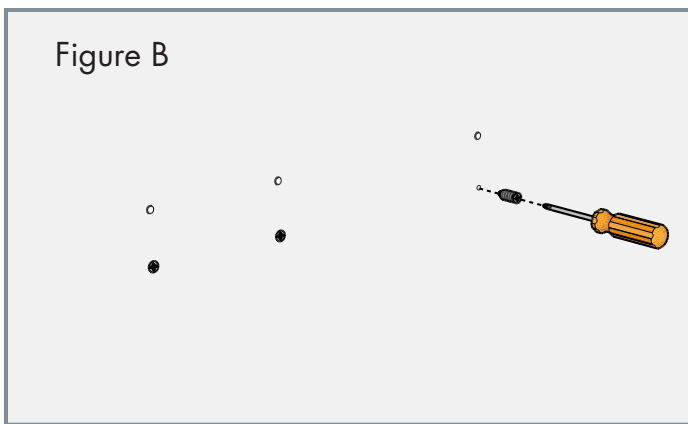


Figure B

## 3. HANG THE RACK for Drywall

Remove the expanding nuts from the toggle bolts and insert the bolts through the top two (2) mounting holes. Thread the expanding nuts back onto the bolts until the tip of the bolt is slightly protruding from the nut with the wings positioned so they will fold toward the head of the bolt (Figure C). Align the folded wings of the expanding nuts with the holes in the wall and gently push them through the wall, ensuring that both wings of the nut expand on the back side of the wall. When all toggle bolts are in place, gently tighten them using a screwdriver.

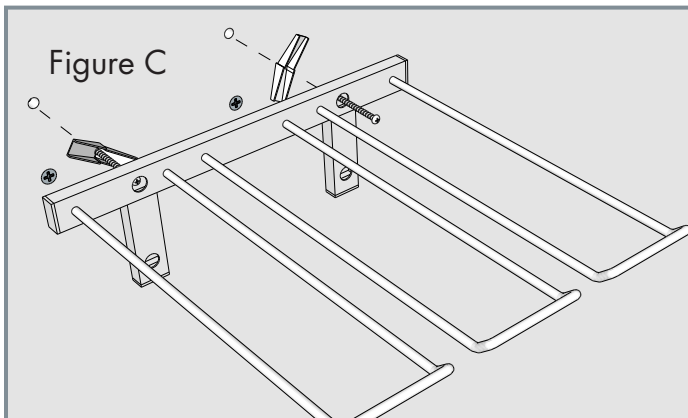


Figure C

Insert two (2) Screws into lower mounting holes and gentle screw into Spiral Drywall Anchors.

Check that the Rack is level and fully tighten all Toggle Bolts and Screws.

## for Wood

Fasten the Rack through the mounting holes using the provided Screws. (Figure D)

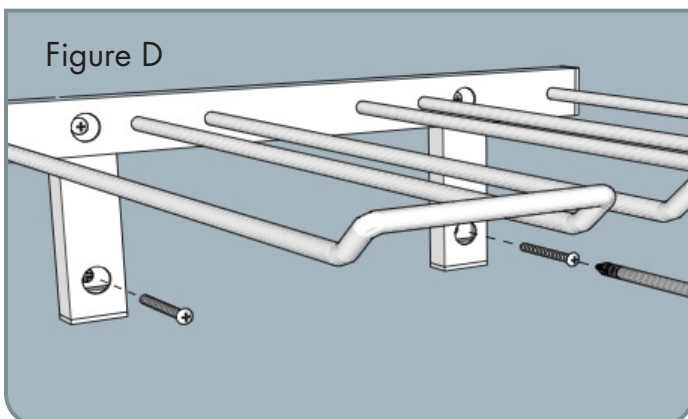
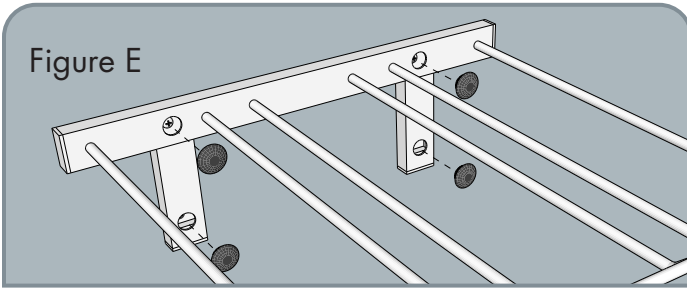


Figure D





Figure E



## 4. INSERT MOUNTING HOLE CAPS

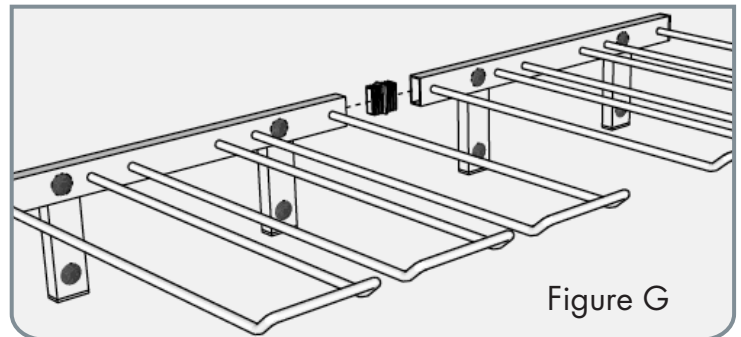
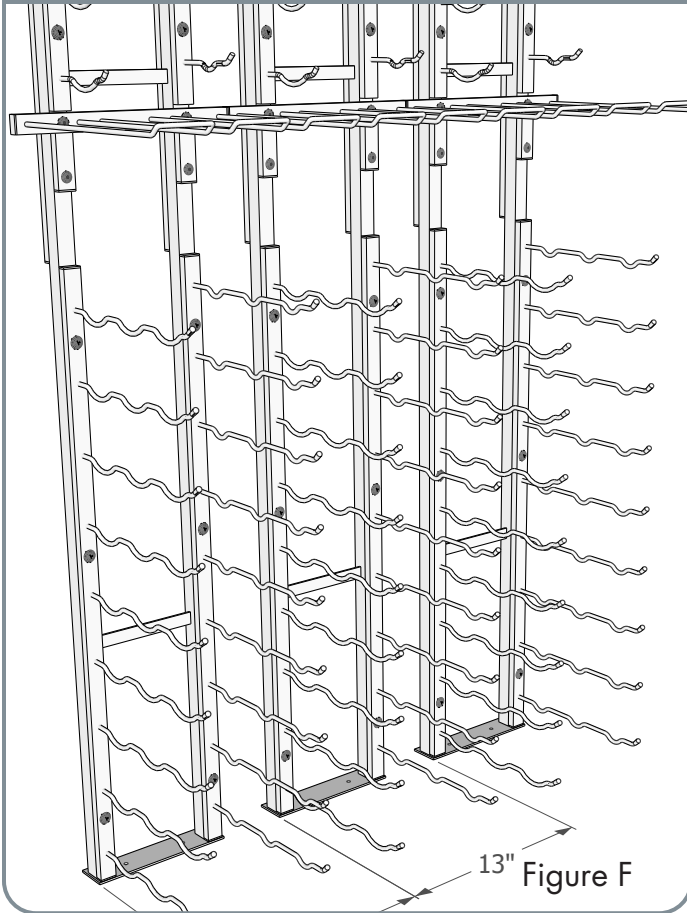
With the Rack fastened to the wall, simply press the provided mounting hole caps into the 1/2" holes in the face of the Rack to cover the mounting hardware (Figure E).

## 5. ADD WINE GLASSES

Only the good ones.

## Connecting Stemware Racks

The W Series Stemware Rack is designed to connect to additional Stemware Racks, which adds an additional Row of Wine Glass storage to increase capacity by 50 percent. To align properly, remove End Caps from the connecting sides of two or more Racks, and replace with supplied Coupler (Figure G).



## Installing to W Series Frame

Place the rack against a W Series Frame in the position where it is to be installed and ensure that it is horizontal using a level. To secure the rack, use the Self Drilling Screws provided with the Frame and fasten the rack through each of the 4 mounting holes.

If connecting Racks across multiple Frames, the Frames must be installed on a 13" centerline to align.

## Maintenance and Care:

Like every VintageView product, the W Series Stemware Rack is backed by a lifetime warranty. They should be regularly checked for tightness. Should any piece to be found to be loose, tighten until secure. If the face of the wall surface shows signs of breakage, discontinue use immediately until the wall may be adequately repaired. W Series products may be cleaned with a damp cloth and mild dish soap — abrasive pads or steel wool should NOT be used as they will damage the finished surfaces of the parts.

Need more help? Visit [VintageView.com](http://VintageView.com)

