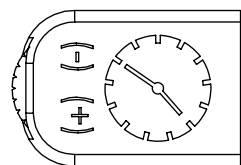
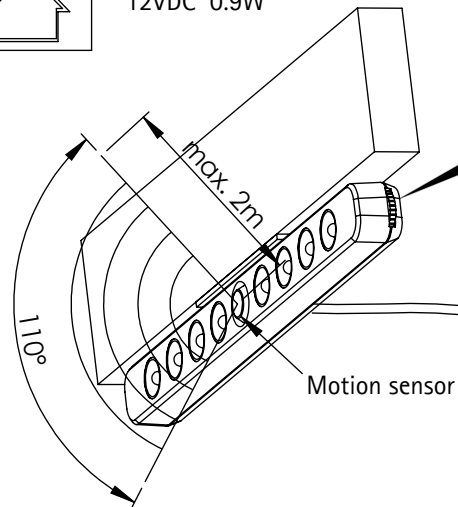




12VDC 0.9W

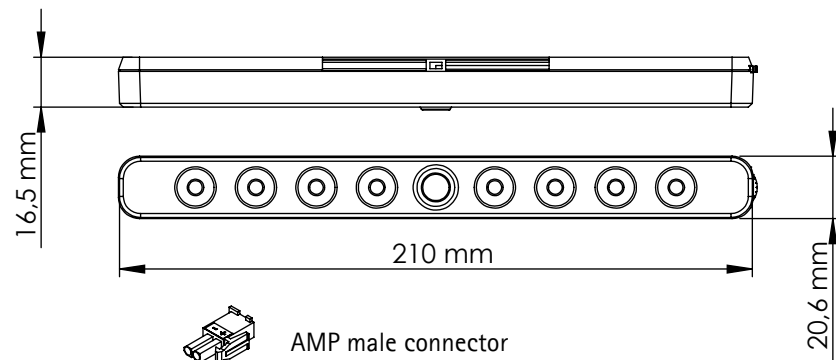
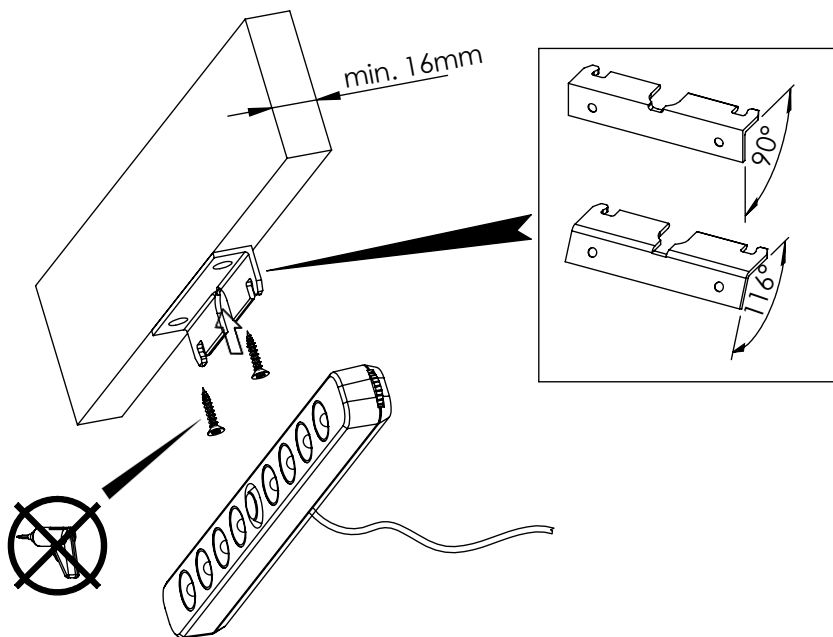
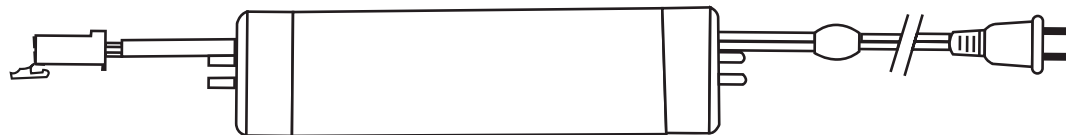


Motion Response Adjustment Dial

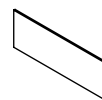
ca. from 0.5 to 5 min.

Male End

12 VDC Power Supply



AMP male connector



Double-sided adhesive tape 60x10



Cable clips adhesive



Wood screw 3x13

Mount versions

